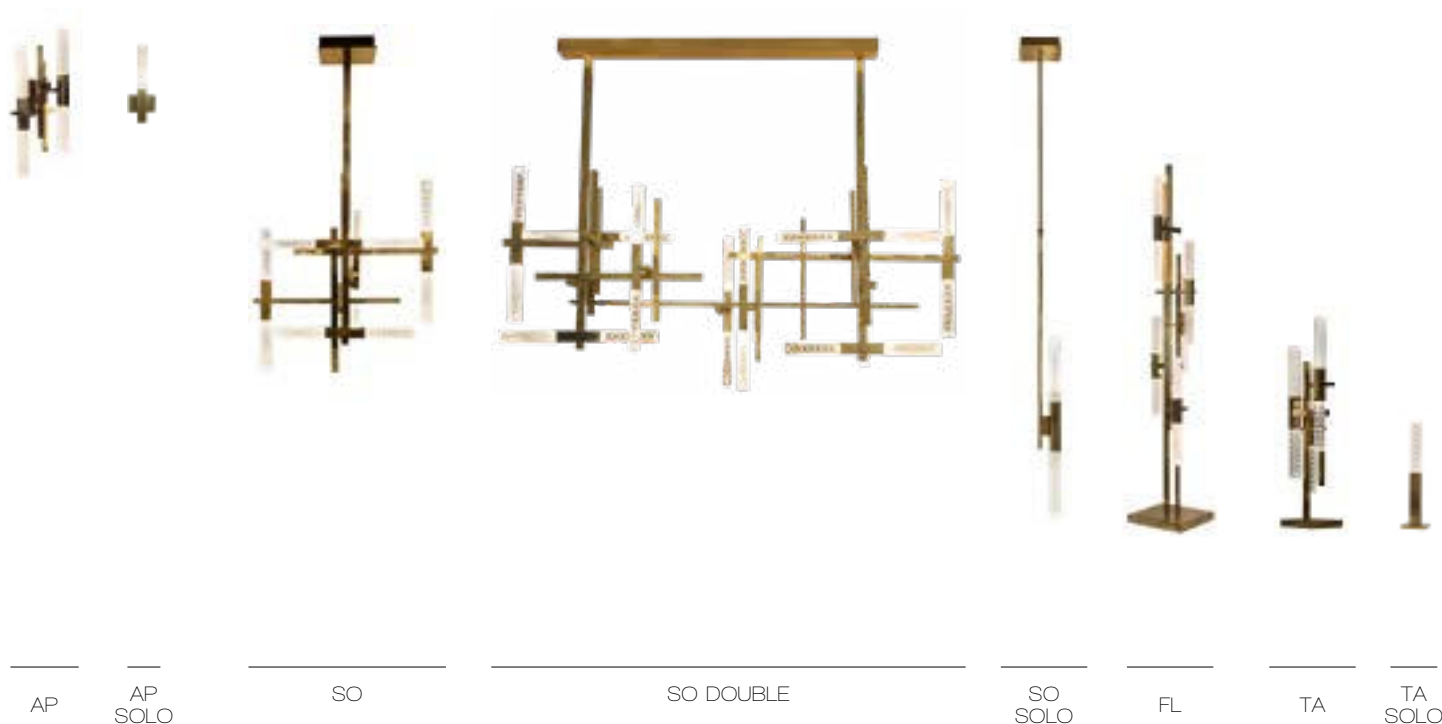


# MIKADO

Massimiliano Raggi



Lantern da appoggio in due dimensioni. La struttura esterna in materiale composito viene finita in bronzo, attraverso le nuove tecniche di verniciatura con polveri di metallo: risulta impossibile dire se è metallo o un altro materiale, l'effetto è quello del bronzo spazzolato. La parte interna della lanterna è in metallo laccato oro, che crea un elegante contrasto. Il vetro rigato da cui esce la luce arricchisce il prodotto.

Collection of "jewel" lamps characterised by the combination of rectangular brass tubes and parallelepipeds in engraved crystal, with two types of workmanship. The apparently random combinations (hence the name Mikado) instead follow a precise and balanced scheme. The LED sources, inserted in the tubes in such a way as to illuminate enhancing the preciousness of the crystal, make Mikado a high-performance decorative product compatible with home automation systems.

## SPECIFICHE PRODOTTO / PRODUCT SPECIFICS

MIKADO AP  
MIKADO AP SOLO

p2

p4  
p5

MIKADO SO  
MIKADO SO DOUBLE  
MIKADO SO SOLO

p6  
p7  
p8

MIKADO FL  
MIKADO TA  
MIKADO TA SOLO

p9  
p10  
p11



---

**STRUTTURA / FRAME**



Ottone satinato  
*Satin brass*

---

**DIFFUSORE / DIFFUSER**

Cristallo trasparente  
*Transparent crystal*



Finitura inciso  
*Engraved finish*



Finitura prismatic  
*Prismatic finish*



**CAVO - INTERRUETTORE/ CABLE - SWITCH**

Tessuto nero

*Black fabric***TA / TA SOLO**

Pulsante a tre intensità sulla base

*Three step push switch on the base*

L: 200 cm

L: 78.7"

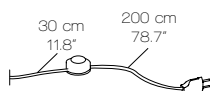
**FL**

Pulsante dimmerabile a piede

*Foot dimmer switch*

L: 30 + 200 cm

L: 11.8" + 78.7"

**FRONTE LUMINOSA / LIGHT SOURCE**

Custom LED

**AP**

4 X 5W

Lumen: 2.240

3.000 K; CRI: &gt;90

**AP SOLO / SO SOLO**

2 X 5W

Lumen: 1.120

3.000 K; CRI: &gt;90

**SO / FL**

10 X 5W

Lumen: 5.600

3.000 K; CRI: &gt;90

**SO DOUBLE**

20 X 5W

Lumen: 11.200

3.000 K; CRI: &gt;90

**TA**

6 X 5W

Lumen: 3.360

3.000 K; CRI: &gt;90

**TA SMALL**

1 X 5W

Lumen: 500

3.000 K; CRI: &gt;90

**DIMMERABILE / DIMMABLE****TA / TA SOLO**

Dimmerabile a tre livelli di intensità (100 - 70 - 30%)

*Dimmable with three intensity levels (100 - 70 - 30%)***FL**

Dimmerabile a piede

*Dimmable with foot control***AP / SO**

Compatibili con sistemi di controllo remoto

*Compatible with remote control systems*

Mikado FL, TA e TA SOLO

**USA / CABLE - SWITCH**

Black cable

**TA / TA SOLO**

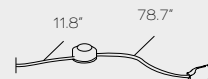
Three step push switch on the base

L: 78.7"

**FL**

Foot dimmer switch

L: 11.8" + 78.7"

**USA / LIGHT SOURCE**

Custom LED

**AP**

4 X 5W

Lumen: 2.240

3.000 K; CRI: &gt;90

**AP SOLO / SO SOLO**

2 X 5W

Lumen: 1.120

3.000 K; CRI: &gt;90

**SO / FL**

10 X 5W

Lumen: 5.600

3.000 K; CRI: &gt;90

**SO DOUBLE**

20 X 5W

Lumen: 11.200

3.000 K; CRI: &gt;90

**TA**

6 X 5W

Lumen: 3.360

3.000 K; CRI: &gt;90

**TA SMALL**

1 X 5W

Lumen: 500

3.000 K; CRI: &gt;90

**DIMMABLE****TA / TA SOLO**

Dimmable with three intensity levels (100 - 70 - 30%)

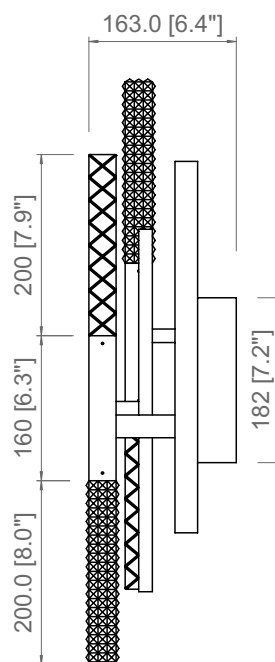
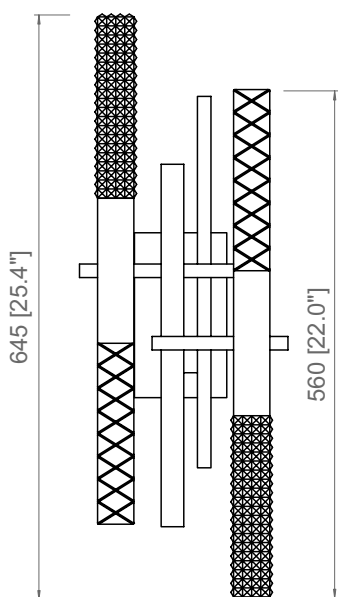
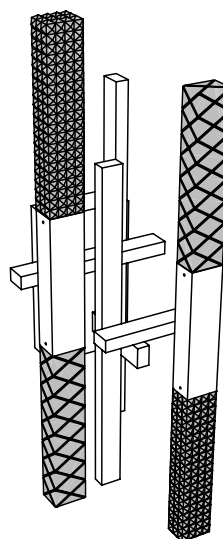
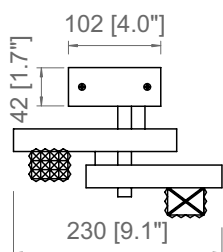
**FL**

Dimmable with foot control

**AP / SO**

Compatible with remote control systems





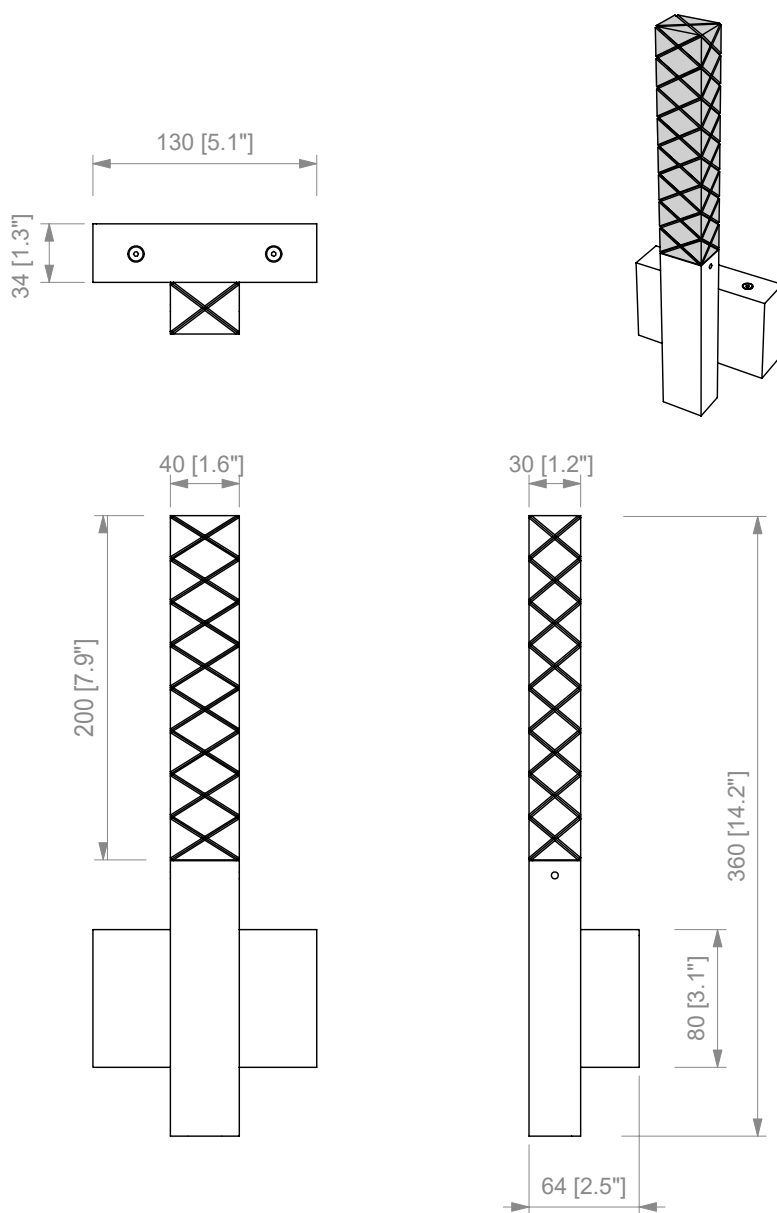
PRODOTTO / PRODUCT

BOX 1

PESO / WEIGHT  
4 kg / 8.8 lbs

L: 52 cm / 20.4"  
W: 52 cm / 20.4"  
H: 32 cm / 12.6"

PESO / WEIGHT  
5 kg / 11 lbs



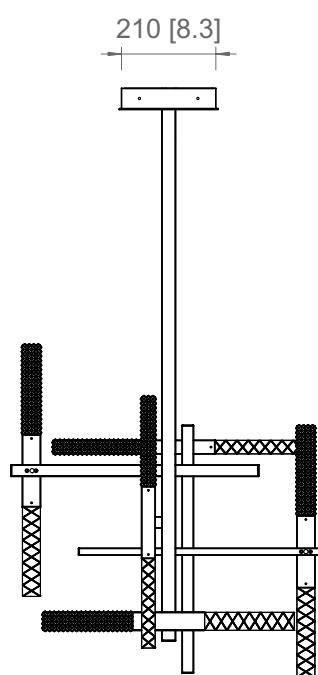
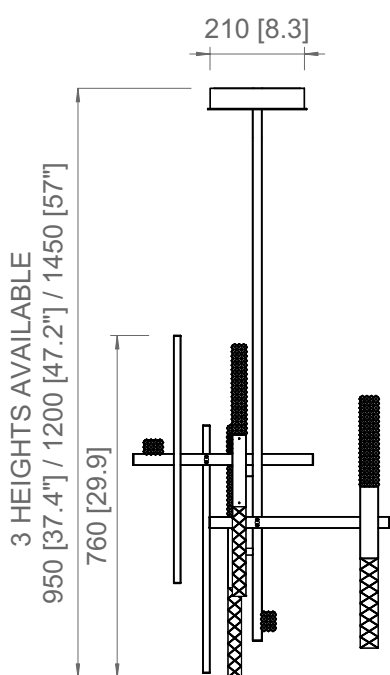
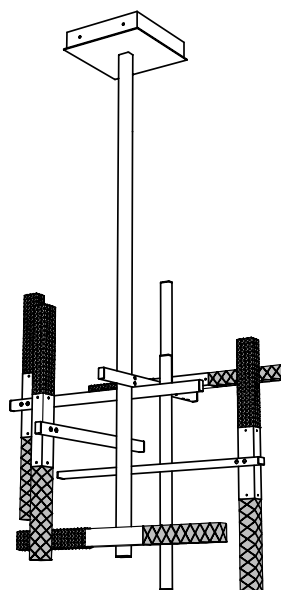
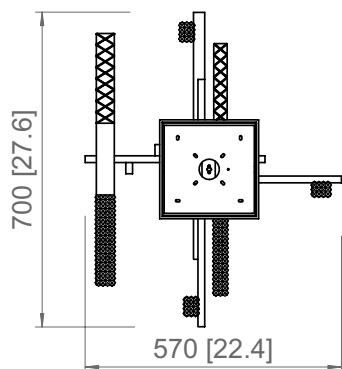
PRODOTTO / PRODUCT

BOX 1

PESO / WEIGHT  
2 kg / 4.4 lbs

L: 32 cm / 12.6"  
W: 22 cm / 8.6"  
H: 13 cm / 5.1"

PESO / WEIGHT  
3 kg / 6.6 lbs



PRODOTTO / PRODUCT

PESO / WEIGHT  
14 kg / 30.8 lbs

BOX 1

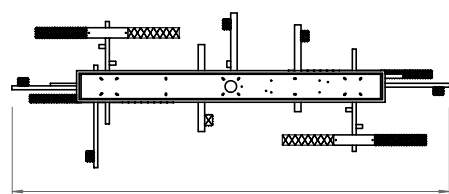
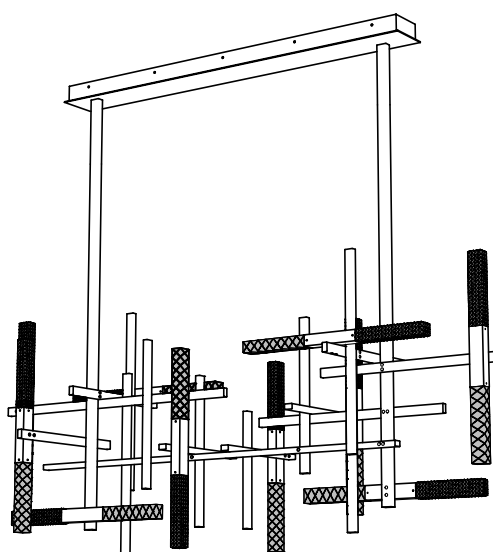
L: 81 cm / 31.8"  
W: 67 cm / 26.3"  
H: 102 cm / 40.1"

PESO / WEIGHT  
12 kg / 26.4 lbs

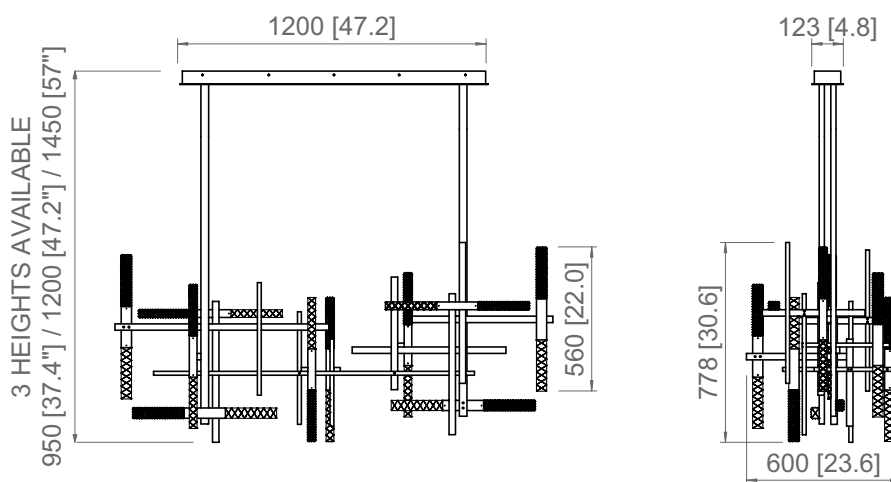
BOX 2

L: 43 cm / 16.9"  
W: 43 cm / 16.9"  
H: 17 cm / 6.7"

PESO / WEIGHT  
4 kg / 8.8 lbs



1700 [66.9]



3 HEIGHTS AVAILABLE  
950 [37.4] / 1200 [47.2] / 1450 [57.1]

PRODOTTO / PRODUCT

PESO / WEIGHT  
39 kg / 85.9 lbs

BOX 1

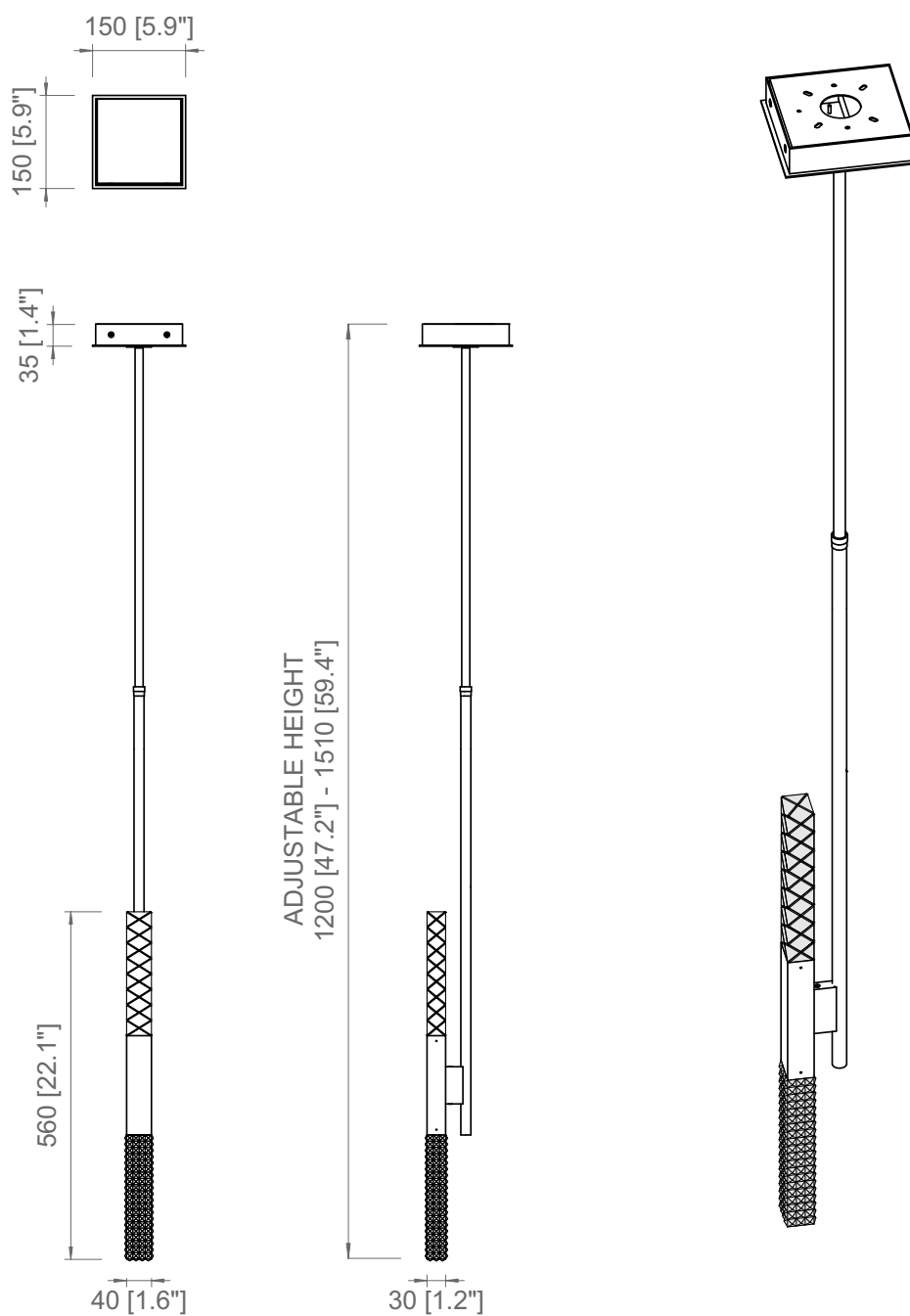
L: 180 cm / 70.8"  
W: 72 cm / 28.3"  
H: 150 cm / 59"

PESO / WEIGHT  
36 kg / 79.3 lbs

BOX 2

L: 52 cm / 20.4"  
W: 52 cm / 20.4"  
H: 32 cm / 12.5"

PESO / WEIGHT  
8,5 kg / 18.7 lbs



PRODOTTO / PRODUCT

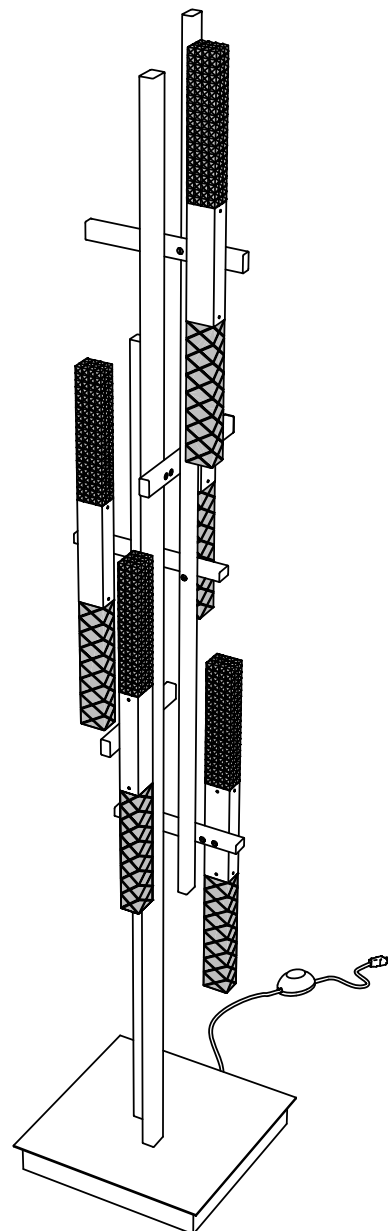
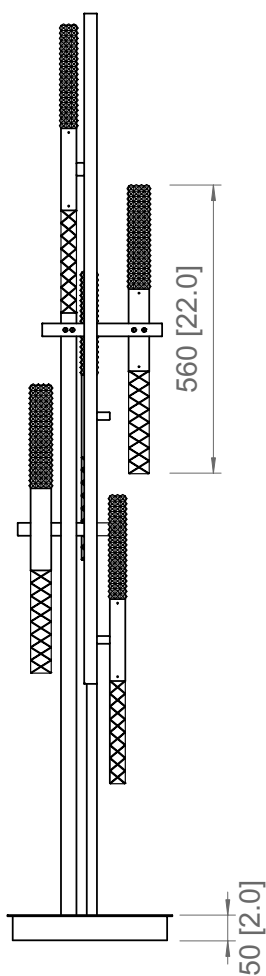
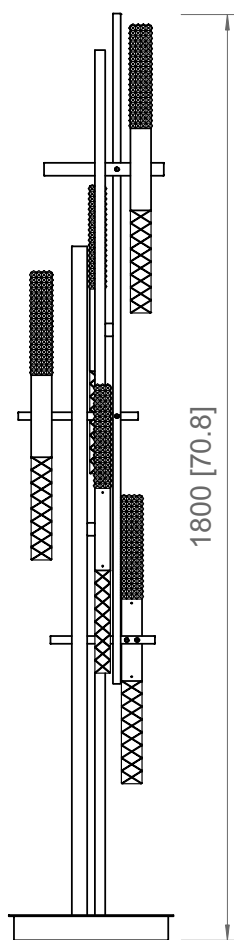
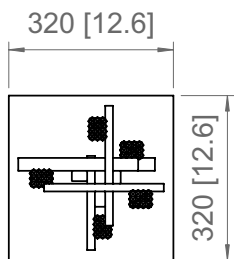
PESO / WEIGHT  
4 kg / 8.8 lbs

BOX 1

L: 22 cm / 8.6"  
W: 22 cm / 8.6"  
H: 125 cm / 49.2"

PESO / WEIGHT  
5 kg / 11 lbs





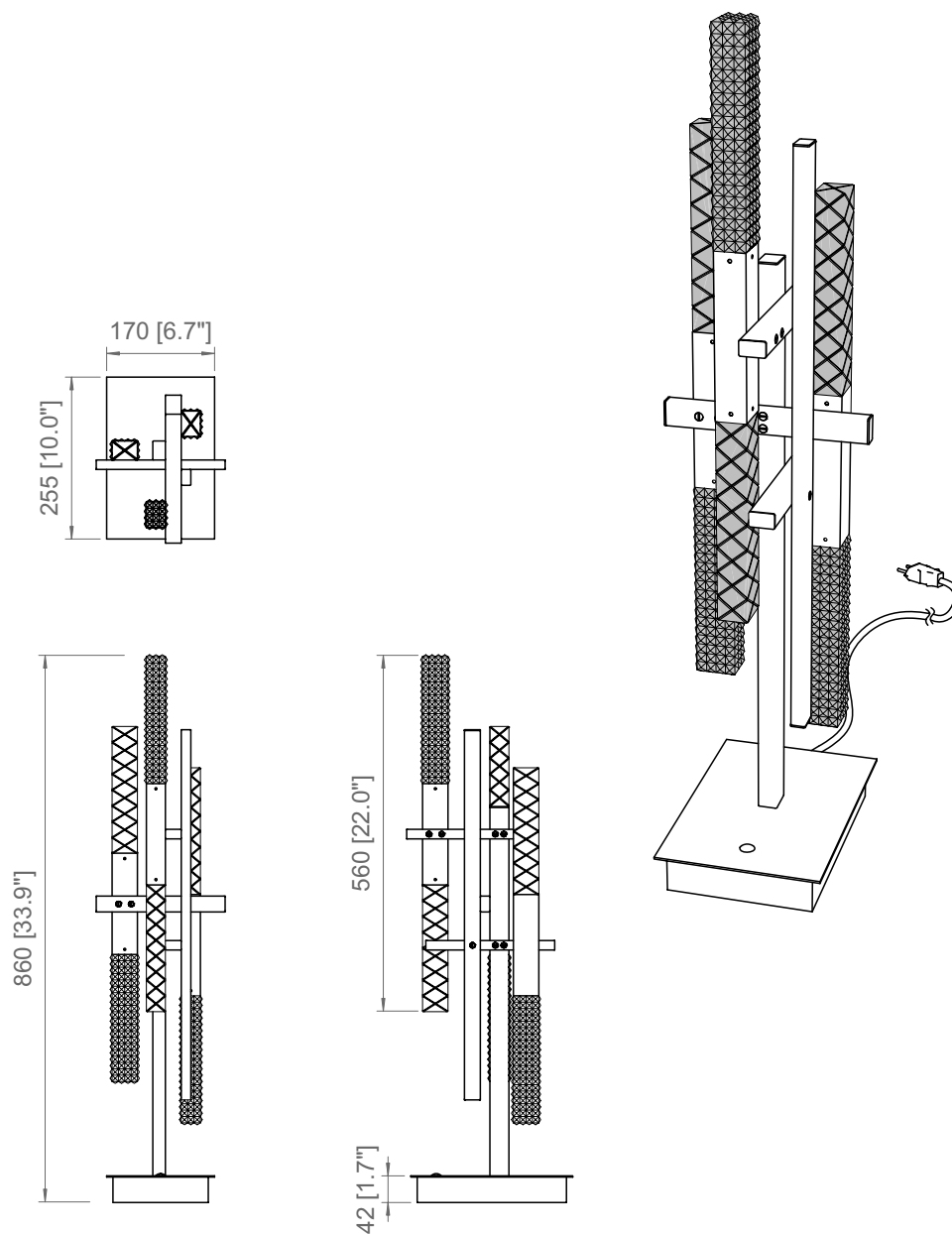
PRODOTTO / PRODUCT

PESO / WEIGHT  
23 kg / 50.7 lbs

BOX 1

L: 45 cm / 17.7"  
W: 45 cm / 17.7"  
H: 192 cm / 75.6"

PESO / WEIGHT  
25 kg / 55.1 lbs



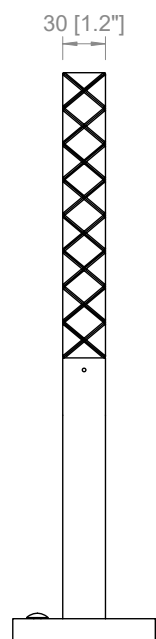
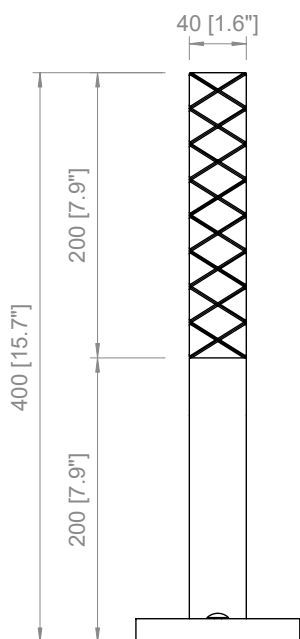
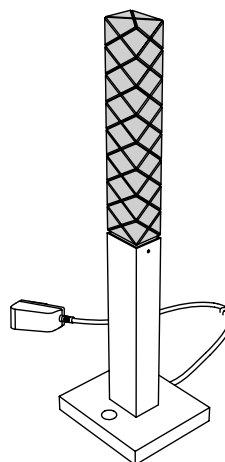
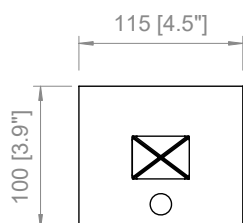
PRODOTTO / PRODUCT

PESO / WEIGHT  
11 kg / 24.2 lbs

BOX 1

L: 36 cm / 14.1"  
W: 36 cm / 14.1"  
H: 89 cm / 35"

PESO / WEIGHT  
12 kg / 26.4 lbs



PRODOTTO / PRODUCT

BOX 1

PESO / WEIGHT  
2 kg / 4.4 lbs

L: 27 cm / 10.6"  
W: 27 cm / 10.6"  
H: 30 cm / 11.8"

PESO / WEIGHT  
3 kg / 6.6 lbs



Copyright and/or design rights subsist in this drawing. No part of this drawing may be reproduced in any material form (including photocopying or storing in any medium electronic means, whether or not intentionally and whether or not as part or a larger publication) without the express permission of the copyright owner, Contardi Lighting S.r.l.. Further and without prejudice to the above, this drawing and all information relating thereto is confidential, and shall not be communicated to a third party without the consent of Contardi lighting srl. Contardi lighting srl asserts all rights to be identified as the author of the work and otherwise.

**WARNING:** The doing of any unauthorised act in relation to a copyright work may result in both a civil claim for damages and criminal prosecution.

---

**CONTARDI LIGHTING Srl**

ITALY HEADQUARTERS

[www.contardi-italia.com](http://www.contardi-italia.com) / [sales@contardi-italia.it](mailto:sales@contardi-italia.it)

**CONTARDI USA Inc**

USA BRANCH

[www.contardi-usa.com](http://www.contardi-usa.com) / [sales@contardi-usa.com](mailto:sales@contardi-usa.com)

