

KUBRIC

Massimiliano Raggi



SO SINGLE



Sospensione realizzata in vetro soffiato a forma di sfera tagliata alla base, all'interno plissettata (grazie al doppio stampo) e dorata. Kubric è disponibile nella versione con rosone oppure senza, per adattarsi a composizioni speciali "su richiesta", che vengono realizzate di volta in volta, senza grandi limiti di dimensioni e numero (richiedi la relativa guida per le composizioni speciali). La sorgente luminosa è un COB-LED 5W, a tensione di rete per le versioni a 230V.

Suspension lamp made of blown glass in the shape of a sphere which is cut at the base, yet pleated inside (thanks to a double mold). Kubric is available in the version with canopy but also with special attachment for the false ceiling. Kubric adapts to special "on request" compositions, which are made from time to time, without big limits in terms of size and number (please request the relative guide for special compositions). The light source is a 5W COB-LED, with mains voltage for the 230V versions.

SPECIFICHE PRODOTTO / PRODUCT SPECIFICS

p2

KUBRIC SO SINGLE CANOPY

p3

KUBRIC SO SINGLE DIFFUSER+CABLE

p4

ATTACCO PER CONTROSOFFITTO / CONNECTION FOR FALSE CEILING

p5



STRUTTURA / FRAME



Bronzo spazzolato chiaro opaco
Matt light satin bronze



STRUTTURA KUBRIC CLUSTER KUBRIC CLUSTER FRAME

Laccato effetto bronzo
Painted bronze effect

DIFFUSORE / DIFFUSER



Vetro bronzo lucido
con interno oro
*Polished bronze glass
with gold painted inside*

CAVO / CABLE

Tessuto bronzo
Bronze fabric

SO
H: 200 cm
H: 78.7"

FONTE LUMINOSA / LIGHT SOURCE



Custom LED

1 X 5W
Custom LED
Lumen: 550
2.700 K; CRI: >90

DIMMERABILE / DIMMABLE

Compatibili con sistemi di
controllo remoto
*Compatible with remote control
systems*



USA



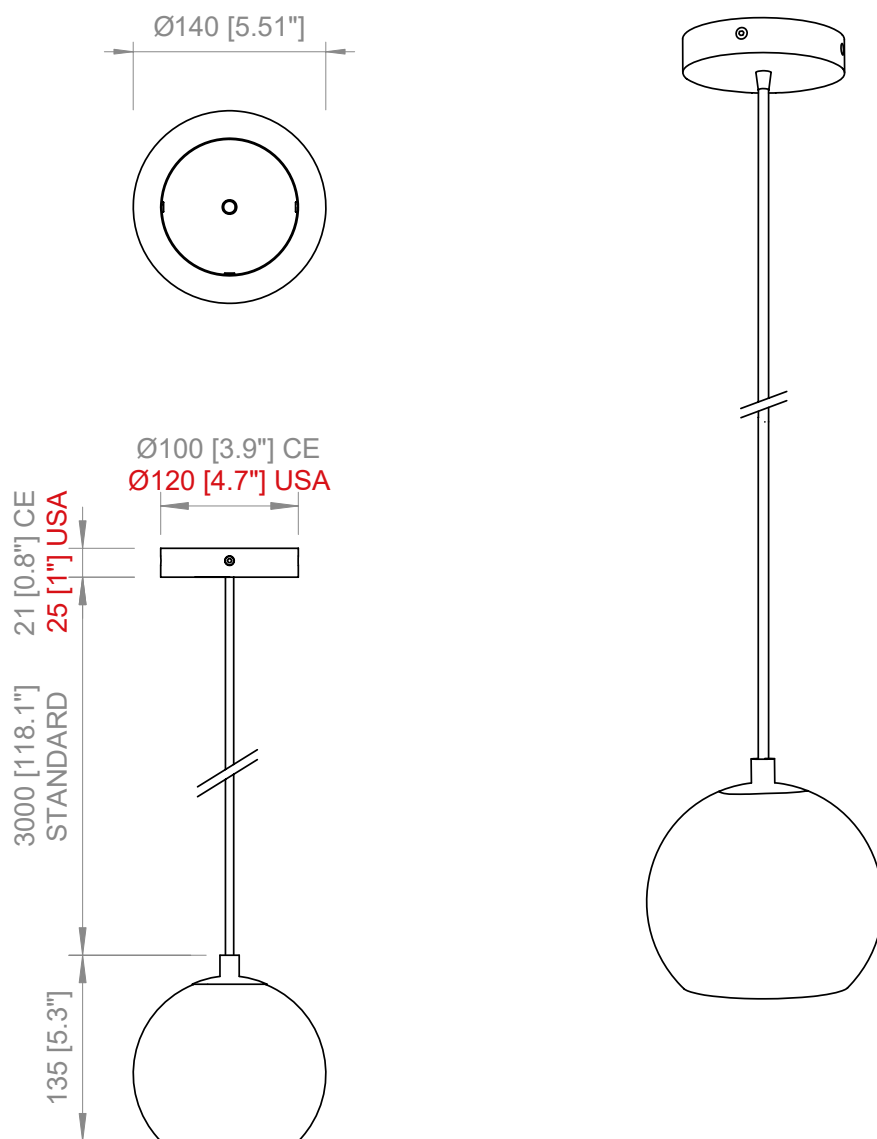
Custom LED

1 X 5W
Custom LED
Lumen: 550
2.700 K; CRI: >90

DIMMERABILE / DIMMABLE

*Compatible with remote control
systems*





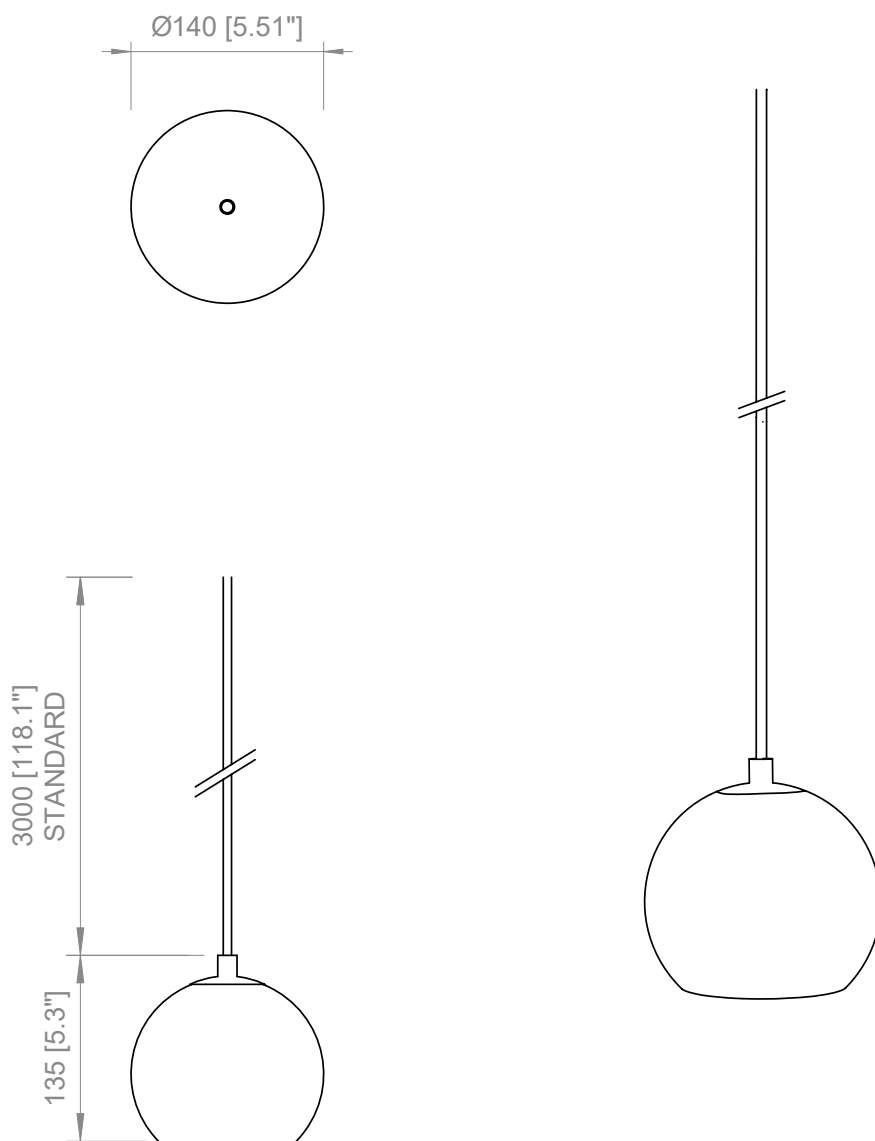
PRODOTTO / PRODUCT

BOX 1

PESO / WEIGHT
1 kg / 2.2 lbs

L: 27 cm / 10.6"
W: 27 cm / 10.6"
H: 25 cm / 9.8"

PESO / WEIGHT
1,5 kg / 3.3 lbs



PRODOTTO / PRODUCT

PESO / WEIGHT
1 kg / 2.2 lbs

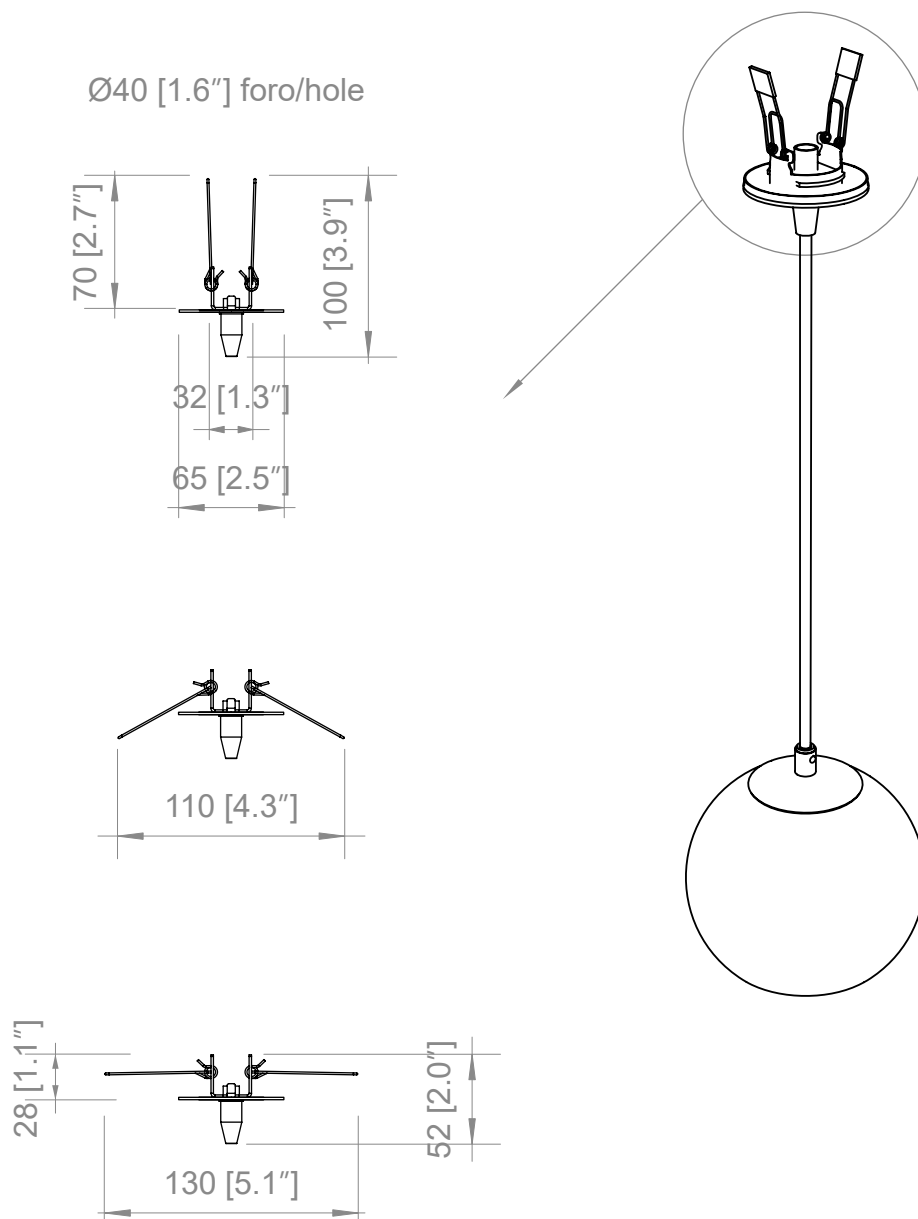
BOX 1

L: 22 cm / 8.6"
W: 22 cm / 8.6"
H: 25 cm / 9.8"

PESO / WEIGHT
1 kg / 2.2 lbs



KUBRIC SO SINGLE & SO LARGE
ATTACCO PER CONTROSOFFITTO / CONNECTION FOR FALSE CEILING





Copyright and/or design rights subsist in this drawing. No part of this drawing may be reproduced in any material form (including photocopying or storing in any medium electronic means, whether or not intentionally and whether or not as part or a larger publication) without the express permission of the copyright owner, Contardi Lighting S.r.l.. Further and without prejudice to the above, this drawing and all information relating thereto is confidential, and shall not be communicated to a third party without the consent of Contardi lighting srl. Contardi lighting srl asserts all rights to be identified as the author of the work and otherwise.

WARNING: The doing of any unauthorised act in relation to a copyright work may result in both a civil claim for damages and criminal prosecution.

CONTARDI LIGHTING Srl

ITALY HEADQUARTERS

www.contardi-italia.com / sales@contardi-italia.it

CONTARDI USA Inc

USA BRANCH

www.contardi-usa.com / sales@contardi-usa.com

