

DORIAN

Marcello Colli



FL

SO SMALL



Famiglia di lampade nelle quali l'aspetto illuminotecnico si integra a quello decorativo. Il disco orientabile da una parte è diffusore, con grandi capacità e qualità luminose (ulteriormente migliorate dal nuovo diffusore con serigrafia a nido d'ape), dall'altra è specchio, che dona un tocco di classe al prodotto. Dorian ha doppia funzione, luce diretta ed indiretta, per illuminare grandi spazi o creare soltanto degli effetti e dei riflessi.

Family of lamps in which the lighting design is integrated into the decorative one. The adjustable disc on one side is a diffuser with high performances and qualities (further improved by the new diffuser with honeycomb screen printing), on the other side is a mirror, which gives a touch of class to the product. Dorian has a dual function, direct and indirect light, to illuminate large spaces or to create only effects and reflections.

SPECIFICHE PRODOTTO / PRODUCT SPECIFICS

p2

DORIAN FL

p3

DORIAN SO SMALL

p4

**STRUTTURA / FRAME**

Bronzo spazzolato chiaro opaco
Matt light satin bronze



Laccato nero seta opaco
Matt black silk lacquered

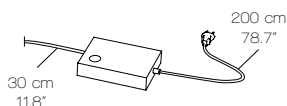
DIFFUSORE / DIFFUSER

Plexiglass con serigrafia nido d'ape
Specchio fumè
*Plexiglass with "Honeycomb effect" screen printing
Smoked colour mirror*

CAVO - INTERRUTTORE / CABLE - SWITCH

Tessuto nero
Pulsante dimmerabile a piede
*Black fabric
Foot dimmer switch*

L: 30 + 200 cm
L: 11.8" + 78.7"

**FRONTE LUMINOSA / LIGHT SOURCE**

○ Custom LED

FL
1 X 55W
Lumen: 7.500
3.000 K; CRI: >90

SO SMALL
1 X 17W
Lumen: 2.480
3.000 K; CRI: >90

DIMMERABILE / DIMMABLE

FL
Dimmerabile a piede
Dimmable with foot control

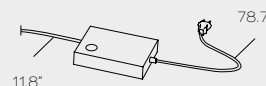
SO
Compatibili con sistemi di controllo remoto
Compatible with remote control systems



Dorian FL & SO SMALL

USA / CABLE - SWITCH

Black fabric
Foot dimmer switch
L: 11.8" + 78.7"

**USA / LIGHT SOURCE**

○ Custom LED

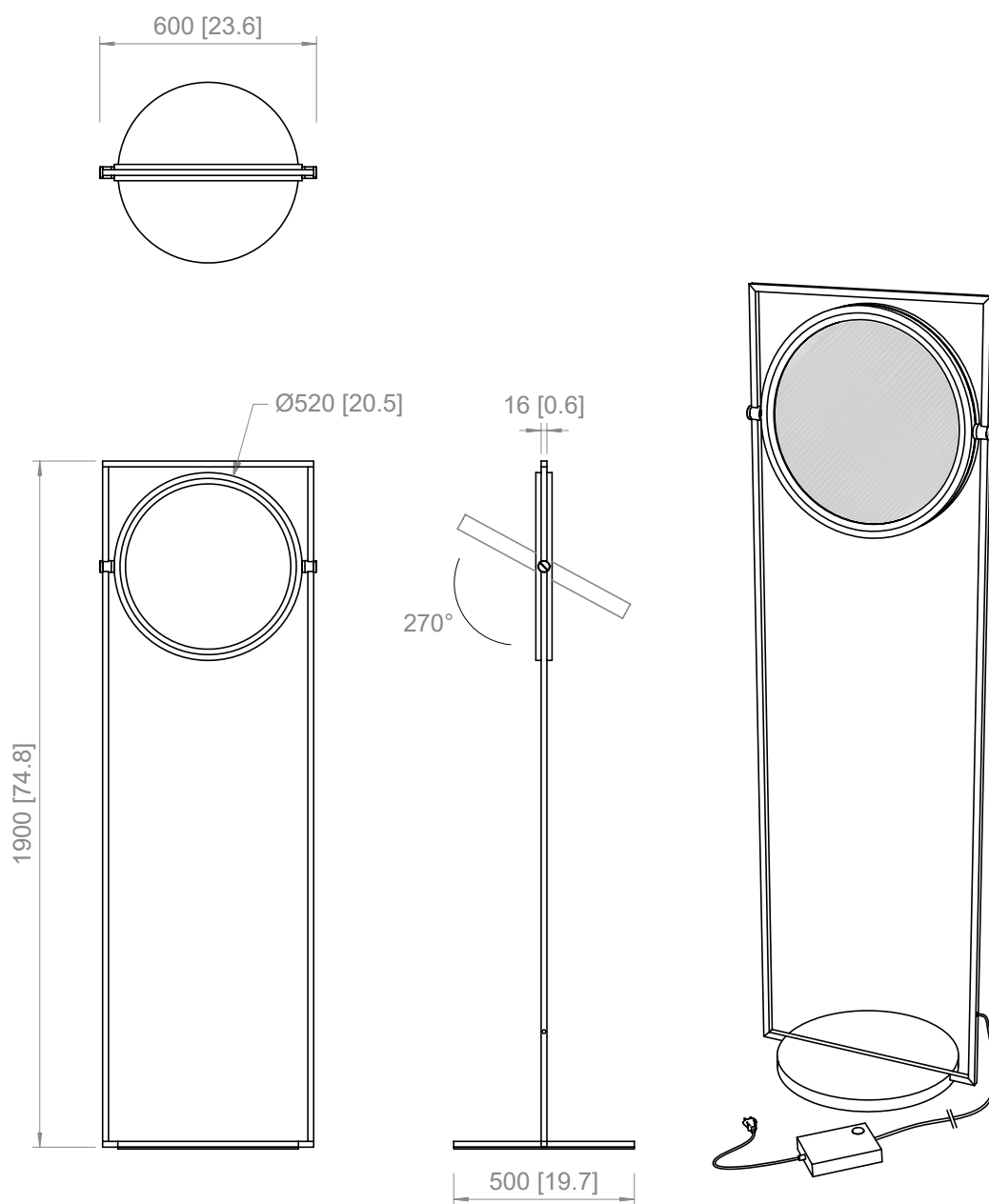
FL
1 X 55W
Lumen: 7.500
3.000 K; CRI: >90

SO SMALL
1 X 17W
Lumen: 2.480
3.000 K; CRI: >90

DIMMABLE

FL
Dimmable with foot control

SO
Compatible with remote control systems



PRODOTTO / PRODUCT

PESO / WEIGHT
31 kg / 68.3 lbs

BOX 1

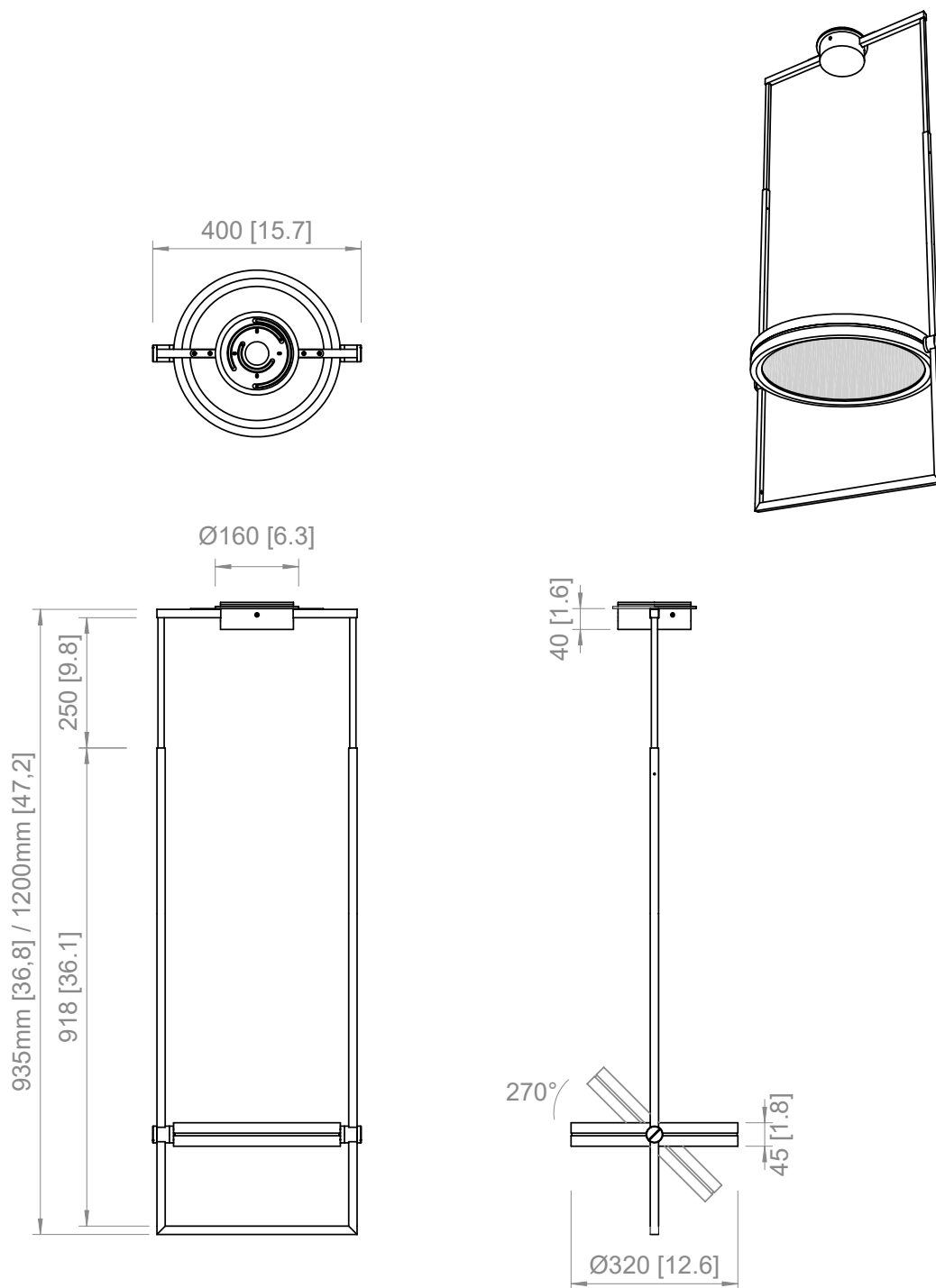
L: 90 cm / 35.4"
W: 15 cm / 5.9"
H: 207 cm / 81.5"

PESO / WEIGHT
15 kg / 33 lbs

BOX 2

L: 58 cm / 22.8"
W: 58 cm / 22.8"
H: 50 cm / 19.7"

PESO / WEIGHT
20 kg / 44 lbs



PRODOTTO / PRODUCT

PESO / WEIGHT
9 kg / 19.8 lbs

BOX 1

L: 110 cm / 43.3"
W: 25 cm / 9.8"
H: 52 cm / 20.4"

PESO / WEIGHT
10 kg / 22 lbs



Copyright and/or design rights subsist in this drawing. No part of this drawing may be reproduced in any material form (including photocopying or storing in any medium electronic means, whether or not intentionally and whether or not as part or a larger publication) without the express permission of the copyright owner, Contardi Lighting S.r.l.. Further and without prejudice to the above, this drawing and all information relating thereto is confidential, and shall not be communicated to a third party without the consent of Contardi lighting srl. Contardi lighting srl asserts all rights to be identified as the author of the work and otherwise.

WARNING: The doing of any unauthorised act in relation to a copyright work may result in both a civil claim for damages and criminal prosecution.

CONTARDI LIGHTING Srl

ITALY HEADQUARTERS

www.contardi-italia.com / sales@contardi-italia.it

CONTARDI USA Inc

USA BRANCH

www.contardi-usa.com / sales@contardi-usa.com

