

CUBE

Massimiliano Raggi



SMALL

LARGE



Lanterna da appoggio in due dimensioni. La struttura esterna in materiale composito viene finita in bronzo, attraverso le nuove tecniche di verniciatura con polveri di metallo: risulta impossibile dire se è metallo o un altro materiale, l'effetto è quello del bronzo spazzolato. La parte interna della lanterna è in metallo laccato oro, che crea un elegante contrasto. Il vetro rigato da cui esce la luce arricchisce il prodotto.

Lanterns available in two dimensions. The external structure in composite material is finished in bronze through new painting techniques with metal powders: it is impossible to tell if it is metal or not, the effect is that of satin bronze. The inner part of the lantern is in gold painted metal which creates an elegant contrast. The striped glass from which the light comes out enriches the product.

SPECIFICHE PRODOTTO / PRODUCT SPECIFICS

p2

CUBE SMALL

p3

CUBE LARGE

p4



STRUTTURA / FRAME

Esterno: bronzo spazzolato
Interno: laccato oro
*Outside: satin bronze
Inside: gold lacquered*

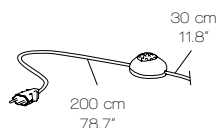
DIFFUSORE / DIFFUSER

Vetro pyrex rigato
Striped pyrex glass

CAVO - INTERRUTTORE / CABLE - SWITCH

Tessuto nero
Pulsante dimmerabile a piede
*Black fabric
Foot dimmer switch*

L: 30 + 200 cm
L: 11.8" + 78.7"



USA / CABLE - SWITCH

Black cable
Foot dimmer switch

L: 11.8" + 78.7"



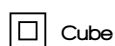
FRONTE LUMINOSA / LIGHT SOURCE

E27 LED
Utilizzabili lampadine LED fino
alla massima potenza disponibile
sul mercato

*You can use LED light bulbs of
the highest available wattage*

1 X E27
Lampadina LED
LED light bulb

DIMMERABILE / DIMMABLE

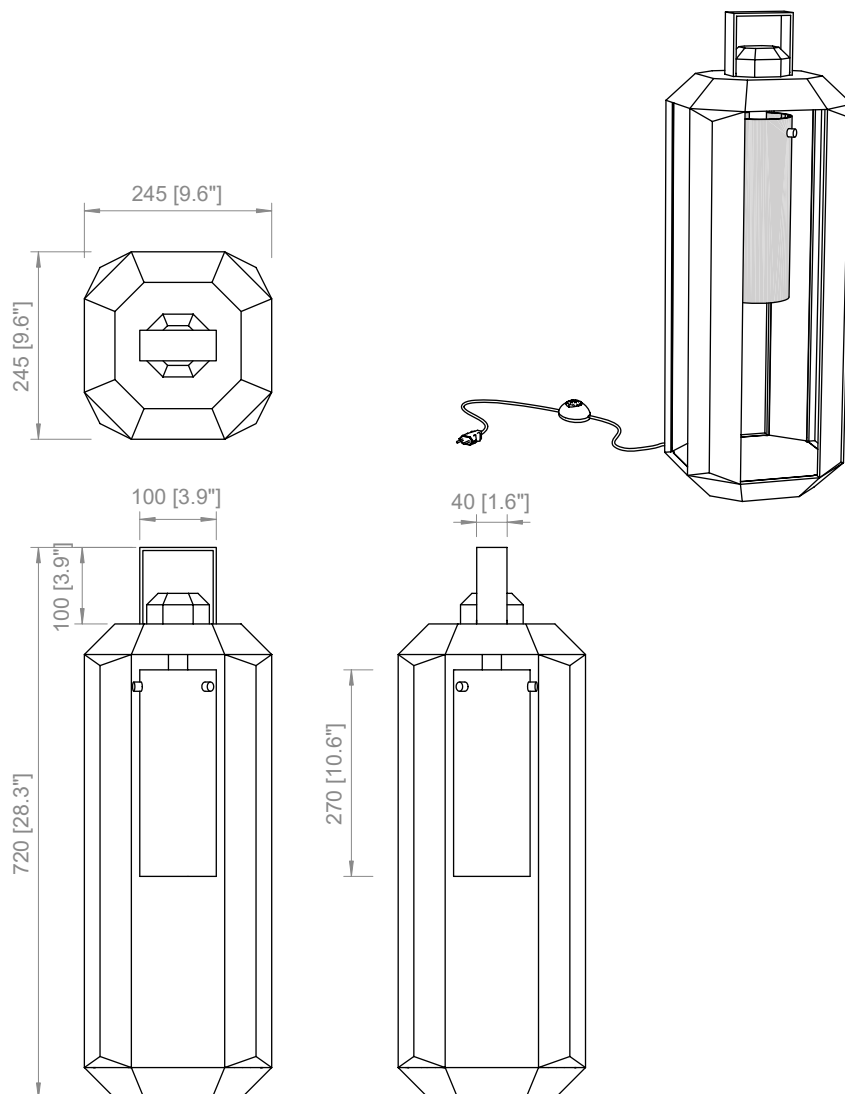


USA / LIGHT SOURCE

E26 LED
You can use LED light bulbs of
the highest available wattage

1 X E26 LED
LED light bulb

DIMMABLE



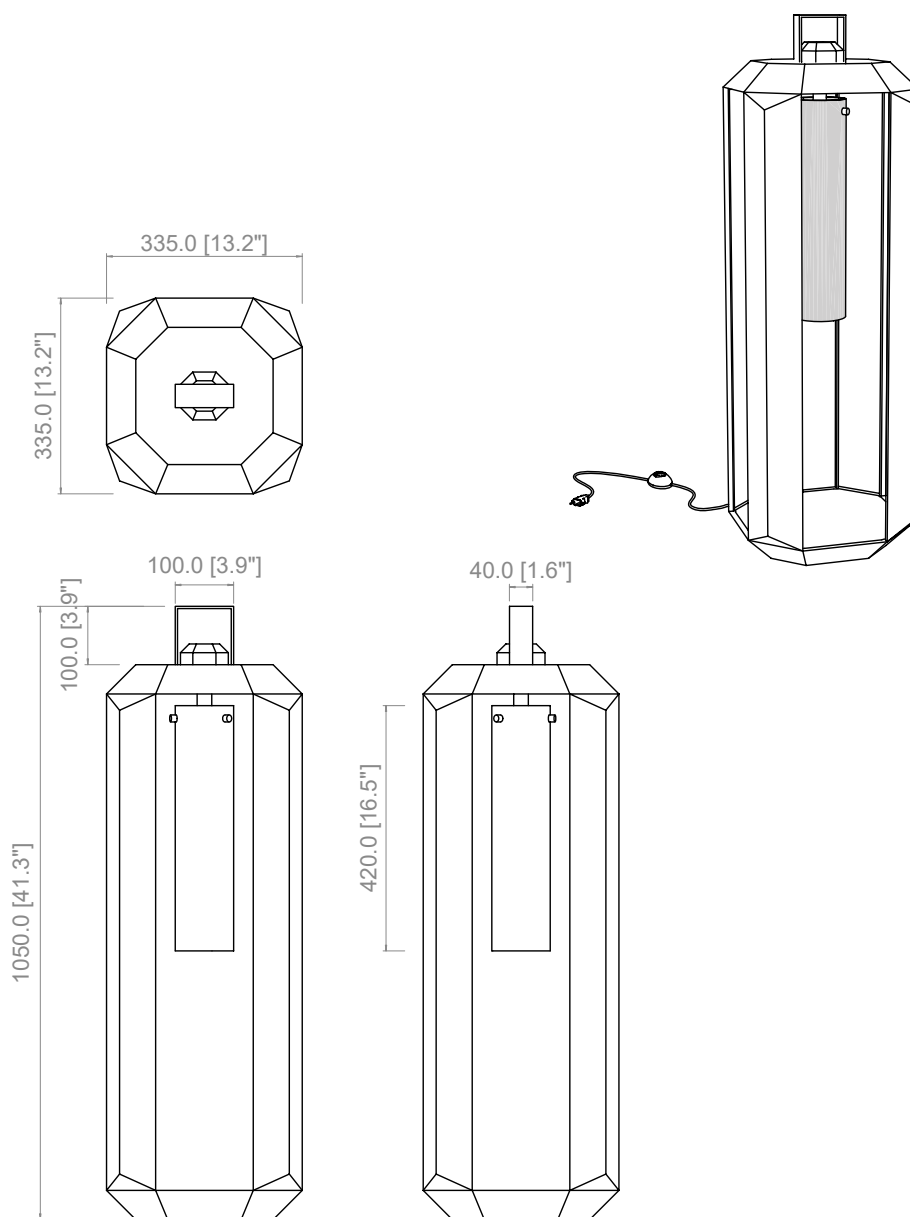
PRODOTTO / PRODUCT

PESO / WEIGHT
5 kg / 11 lbs

BOX 1

L: 34 cm / 13.4"
W: 34 cm / 13.4"
H: 86 cm / 33.8"

PESO / WEIGHT
6 kg / 13.2 lbs



PRODOTTO / PRODUCT

PESO / WEIGHT
17 kg / 37.4 lbs

BOX 1

L: 47 cm / 18.5"
W: 47 cm / 18.5"
H: 121 cm / 47.6"

PESO / WEIGHT
18 kg / 39.6 lbs



Copyright and/or design rights subsist in this drawing. No part of this drawing may be reproduced in any material form (including photocopying or storing in any medium electronic means, whether or not intentionally and whether or not as part or a larger publication) without the express permission of the copyright owner, Contardi Lighting S.r.l.. Further and without prejudice to the above, this drawing and all information relating thereto is confidential, and shall not be communicated to a third party without the consent of Contardi lighting srl. Contardi lighting srl asserts all rights to be identified as the author of the work and otherwise.

WARNING: The doing of any unauthorised act in relation to a copyright work may result in both a civil claim for damages and criminal prosecution.

CONTARDI LIGHTING Srl

ITALY HEADQUARTERS

www.contardi-italia.com / sales@contardi-italia.it

CONTARDI USA Inc

USA BRANCH

www.contardi-usa.com / sales@contardi-usa.com

