

# CALYPSO SO

*Servomuto*



SO ANTIGUA



SO GUADALOUPE



SO MARTINIQUE



Calypso è una collezione di sospensioni ispirate al periodo dell'art deco, con tessuti le cui trame e decori geometrici bianchi e neri si mischiano con colori vivaci della cultura sudamericana e tropicale, fornendo un risultato molto originale. La versione da interno è caratterizzata dal cordone in seta intrecciata di color verde muschio. Il supporto è un anello in ottone satinato. Il diffusore è in vetro trasparente.

*Calypso is a collection of suspensions inspired by the art deco period, with fabrics whose textures and white and black geometric patterns mix with bright colours of South American and tropical culture, providing a very original result. The indoor version is characterised by a green braided silk rope. The metal support is a satin brass finished ring. The diffuser is in transparent glass.*

## SPECIFICHE PRODOTTO / PRODUCT SPECIFICS

CALYPSO SO ANTIGUA

CALYPSO SO GUADALOUPE

CALYPSO SO MARTINIQUE

p2

p3

p4

p5



STRUTTURA / FRAME



Ottone satinato  
Satin brass



Corda in seta intrecciata verde muschio  
Moss green braided silk rope

DIFFUSORE E PARALUME / DIFFUSER AND SHADE



Vetro trasparente  
Transparent glass

ANTIGUA



Black



Sale e pepe



Mint

GUADALOUPE



Black



Sale e pepe



Mint

MARTINIQUE



Black



Building



Yellow

NOTE:

1. Tessuti ignifughi: CLASSE UNO IM - BS EN 1021.1:2006 CIGARETTE TEST - BS EN 1021.2:2006 BUTANE FLAME TEST - NPFA 260:CLASS 1 IMO A0852(16) - CIGARETTE TEST AND BUTANE TEST  
2. Possibilità di regolare l'altezza del cordone. Consultare le istruzioni di montaggio per le informazioni dettagliate.

NOTES:

1. Fire-resistant fabrics: CLASSE UNO IM - BS EN 1021.1:2006 CIGARETTE TEST - BS EN 1021.2:2006 BUTANE FLAME TEST - NPFA 260:CLASS 1 IMO A0852(16) - CIGARETTE TEST AND BUTANE TEST  
2. Adjustable rope length. Refer to the installation instructions.

CAVO / CABLE

Seta intrecciata verde muschio  
Moss green braided silk

SO

H: 200 cm  
H: 78.7"

FONTE LUMINOSA / LIGHT SOURCE



E27 LED

Utilizzabili lampadine LED fino alla massima potenza disponibile sul mercato

You can use LED light bulbs of the highest available wattage

1 X E27

Lampadina LED

LED light bulb



USA / LIGHT SOURCE



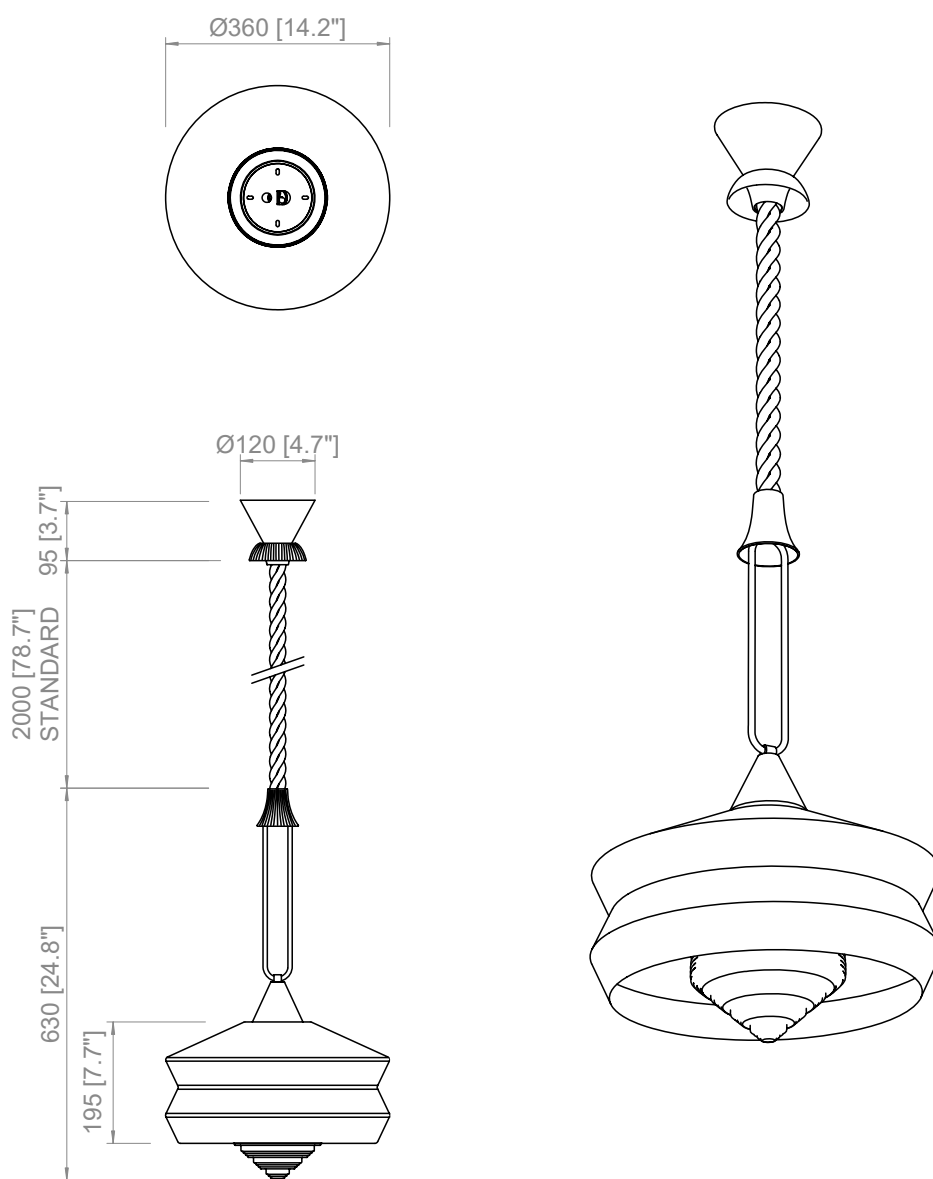
E26 LED

You can use LED light bulbs of the highest available wattage

1 X E26

LED light bulb





**PRODOTTO / PRODUCT**

PESO / WEIGHT  
4 kg / 8.8 lbs

**BOX 1**

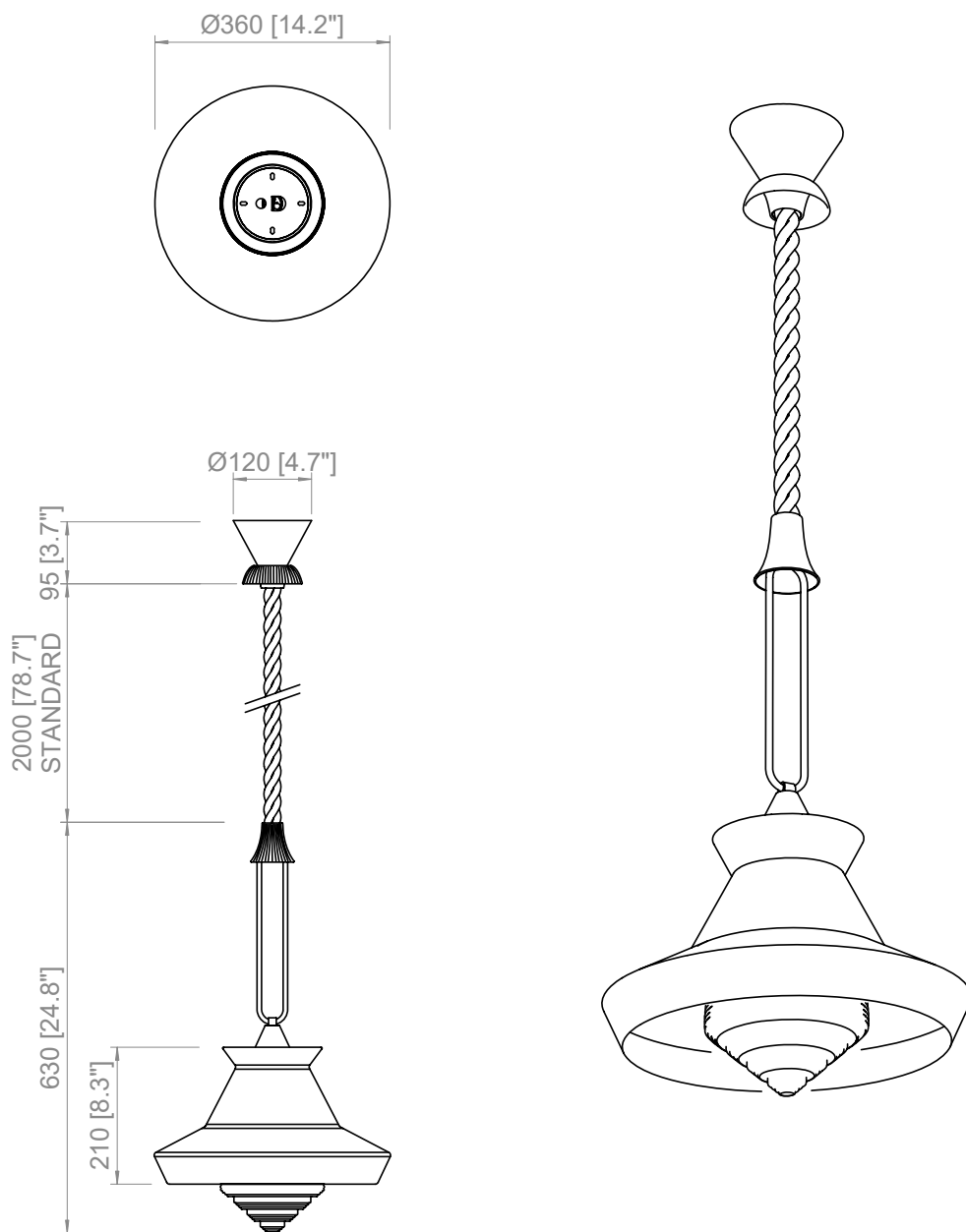
L: 55 cm / 21.6"  
W: 24 cm / 9.4"  
H: 30 cm / 11.8"

PESO / WEIGHT  
3,5 kg / 7.7 lbs

**BOX 2**

L: 44 cm / 17.3"  
W: 44 cm / 17.3"  
H: 24 cm / 9.4"

PESO / WEIGHT  
2,5 kg / 5.5 lbs



**PRODOTTO / PRODUCT**

PESO / WEIGHT  
4 kg / 8.8 lbs

**BOX 1**

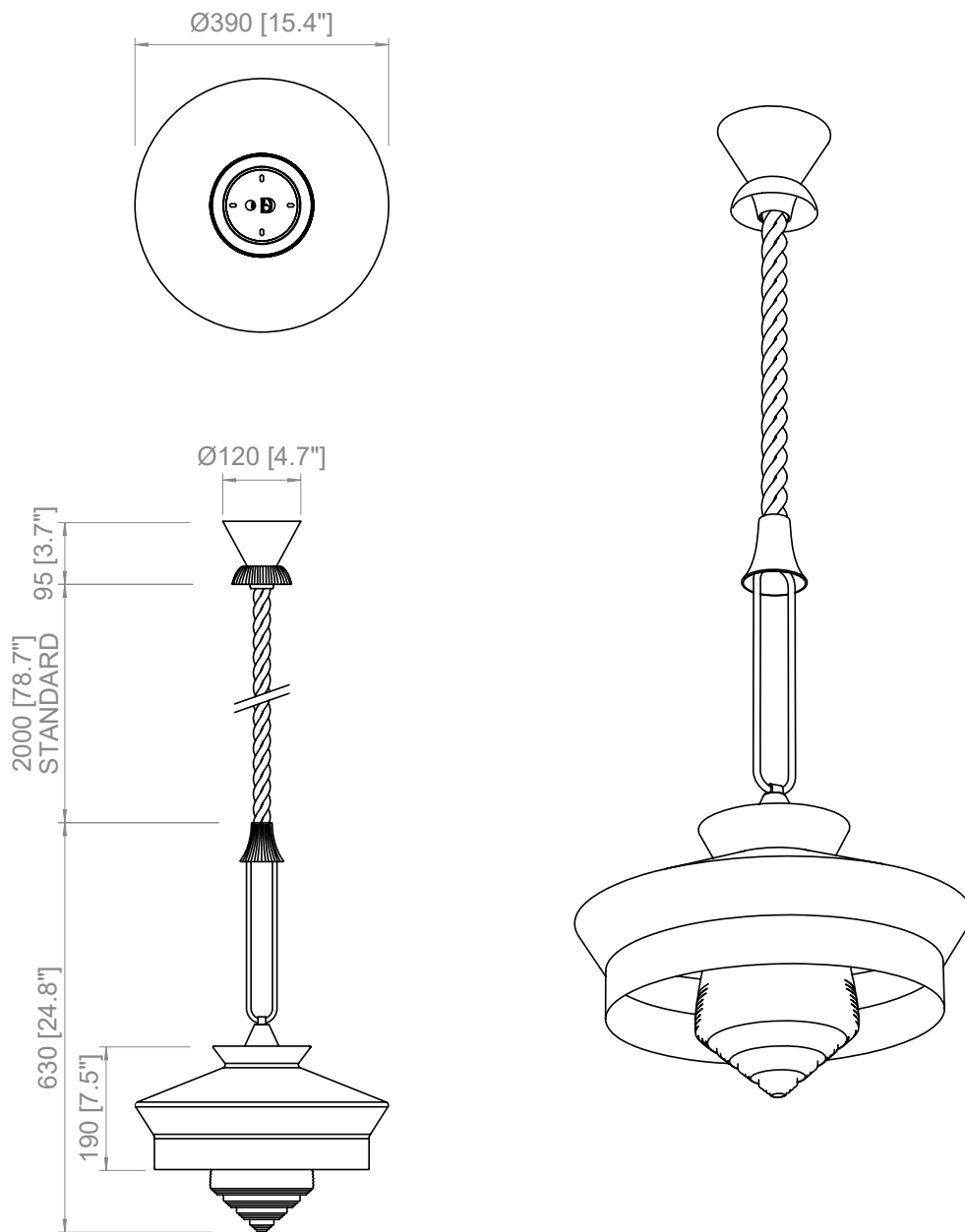
L: 55 cm / 21.6"  
W: 24 cm / 9.4"  
H: 30 cm / 11.8"

PESO / WEIGHT  
3,5 kg / 7.7 lbs

**BOX 2**

L: 44 cm / 17.3"  
W: 44 cm / 17.3"  
H: 24 cm / 9.4"

PESO / WEIGHT  
2,5 kg / 5.5 lbs



**PRODOTTO / PRODUCT**

PESO / WEIGHT  
4 kg / 8.8 lbs

**BOX 1**

L: 55 cm / 21.6"  
W: 24 cm / 9.4"  
H: 30 cm / 11.8"

PESO / WEIGHT  
3,5 kg / 7.7 lbs

**BOX 2**

L: 44 cm / 17.3"  
W: 44 cm / 17.3"  
H: 24 cm / 9.4"

PESO / WEIGHT  
2,5 kg / 5.5 lbs



Copyright and/or design rights subsist in this drawing. No part of this drawing may be reproduced in any material form (including photocopying or storing in any medium electronic means, whether or not intentionally and whether or not as part or a larger publication) without the express permission of the copyright owner, Contardi Lighting S.r.l.. Further and without prejudice to the above, this drawing and all information relating thereto is confidential, and shall not be communicated to a third party without the consent of Contardi lighting srl. Contardi lighting srl asserts all rights to be identified as the author of the work and otherwise.

**WARNING:** The doing of any unauthorised act in relation to a copyright work may result in both a civil claim for damages and criminal prosecution.

---

**CONTARDI LIGHTING Srl**

ITALY HEADQUARTERS

[www.contardi-italia.com](http://www.contardi-italia.com) / [sales@contardi-italia.it](mailto:sales@contardi-italia.it)

**CONTARDI USA Inc**

USA BRANCH

[www.contardi-usa.com](http://www.contardi-usa.com) / [sales@contardi-usa.com](mailto:sales@contardi-usa.com)

