

CALYPSO FL + TABLE INDOOR

Servomuto



Contardi e Servomuto hanno deciso ora di aggiungere alla famiglia una versione da terra da interno. Ogni paralume è realizzato con tessuti premium impermeabili e ignifughi in materiali anallergici e atossici, mentre lo stelo è caratterizzato dalla laccatura nera della parte inferiore e della base. La parte superiore è rivestita in morbida pelle e tutte le parti sono unificate da un dettaglio in ottone. Il funzionale ma raffinato tavolino è realizzato in marmo verde Guatemala, che ben si armonizza con i colori vivaci dei paralumi.

Contardi and Servomuto have decided to add an indoor floor version to the family, with the option of an attached table. Every lampshade is made of premium waterproof and fireproof fabrics in hypoallergenic and non-toxic materials, while the stem is characterised by black lacquering of the lower part and the base. The upper part is covered in supple leather, and all the parts are unified with brass detailing.

The functional yet refined coffee table is made of green Guatemala marble, which harmonises well with the vibrant colours of the lampshades.

SPECIFICHE PRODOTTO / PRODUCT SPECIFICS

p2

CALYPSO FL INDOOR ANTIGUA

p3

CALYPSO FL INDOOR MARTINIQUE

p4

CALYPSO FL INDOOR GUADALOUPE

p5



STRUTTURA / FRAME



Ottone satinato
Satin brass



Marmo verde Guatemala
Green Guatemala marble



Laccato nero seta opaco
Matt black silk lacquered



Pelle verde
Green leather

PARALUME / SHADE

ANTIGUA



Mint

GUADALOUPE



Sale e pepe

MARTINIQUE



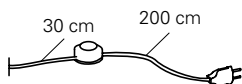
Yellow



Building

CAVO / CABLE

Tessuto nero
Black fabric



FONTE LUMINOSA / LIGHT SOURCE



E27 LED
Utilizzabili lampadine LED fino alla massima potenza disponibile sul mercato

You can use LED light bulbs of the highest available wattage

1 X E27 LED
LED bulb



 Calypso FL Indoor

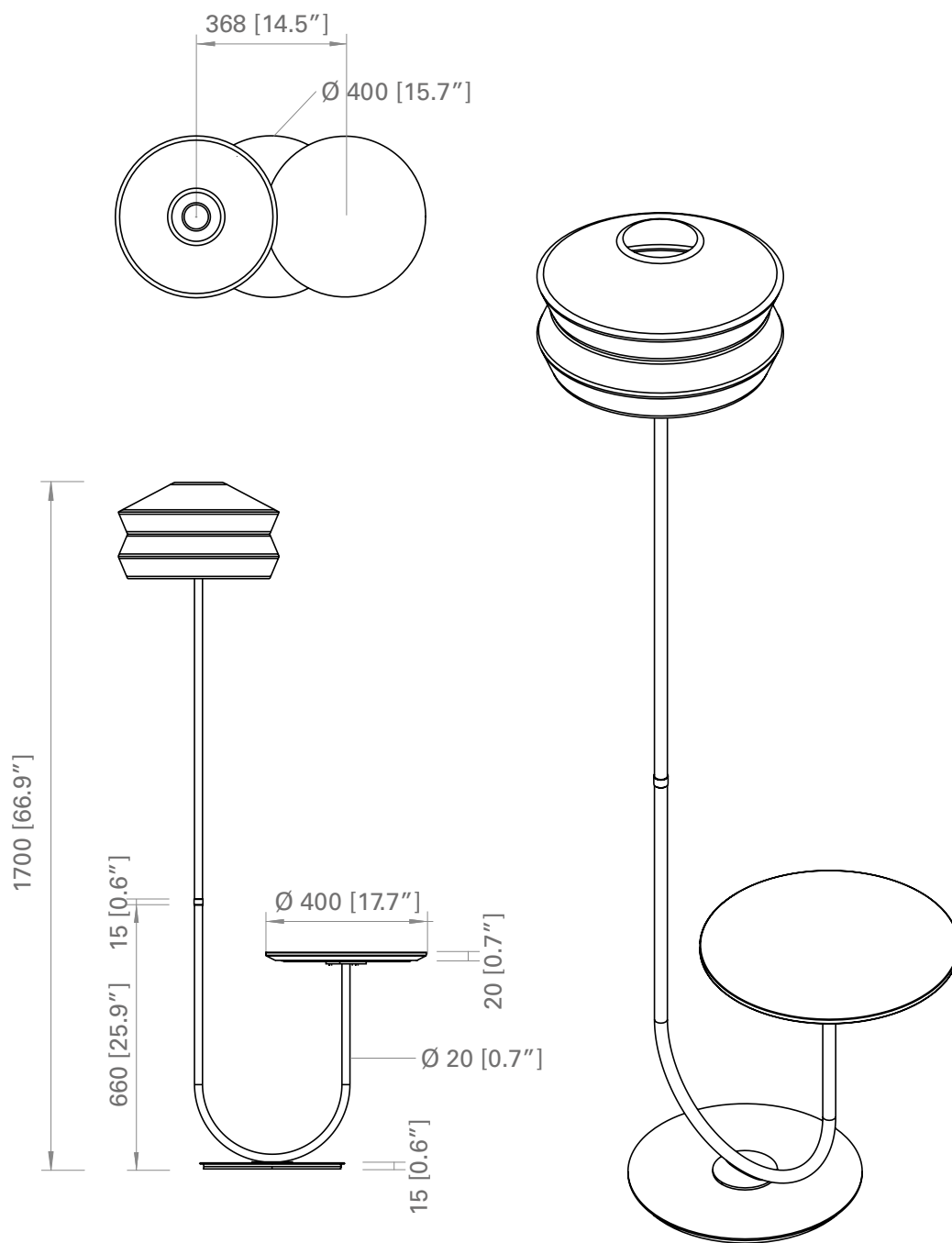
USA / LIGHT SOURCE

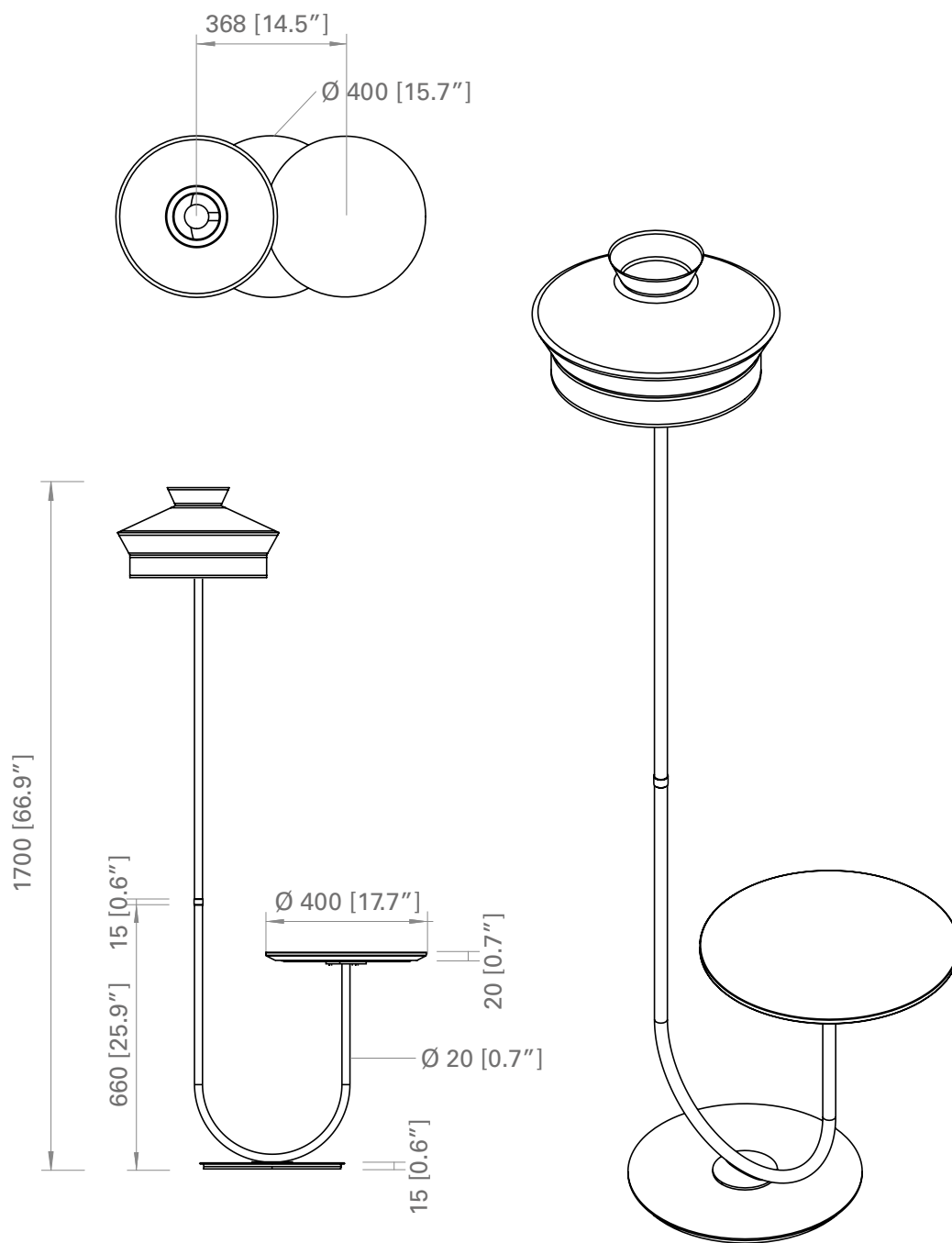


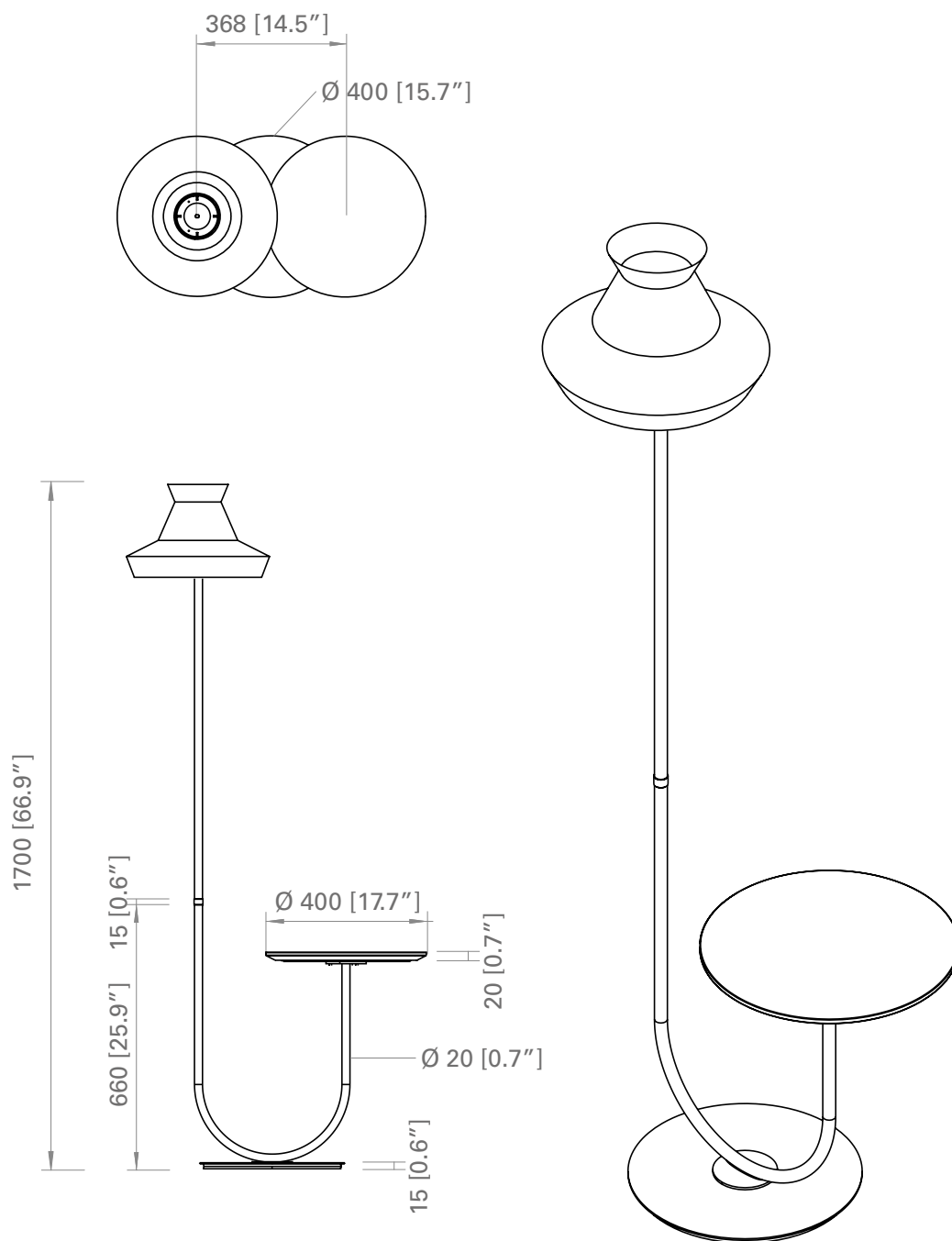
E26 LED

You can use LED light bulbs of the highest available wattage

1 X E26 LED bulb









Copyright and/or design rights subsist in this drawing. No part of this drawing may be reproduced in any material form (including photocopying or storing in any medium electronic means, whether or not intentionally and whether or not as part or a larger publication) without the express permission of the copyright owner, Contardi Lighting S.r.l.. Further and without prejudice to the above, this drawing and all information relating thereto is confidential, and shall not be communicated to a third party without the consent of Contardi lighting srl. Contardi lighting srl asserts all rights to be identified as the author of the work and otherwise.

WARNING: The doing of any unauthorised act in relation to a copyright work may result in both a civil claim for damages and criminal prosecution.

CONTARDI LIGHTING Srl

ITALY HEADQUARTERS

www.contardi-italia.com / sales@contardi-italia.it

CONTARDI USA Inc

USA BRANCH

www.contardi-usa.com / sales@contardi-usa.com

