

BONALDO

Orion

Designer: Jarrod Lim

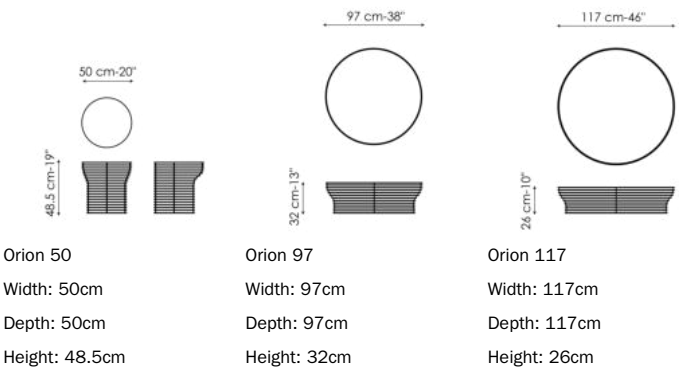


The steel tubes that form the base of Orion are inspired by the circular orbits of the stars during the earth's rotation. A name and image with striking force, for a charming and evocative collection of coffee tables. With a design of absolute graphic imprint, the Orion coffee tables are composed of numerous curved and painted steel tubes and have the top in multiple

finishes of glass or ceramic. With their lightness, the metal rods of the base almost seem to come to life, vibrating, furnishing with elegance and without invading the space. Available in three sizes, Orion will add a refined and contemporary touch in every environment, perfectly integrating itself even in the contract world.



Data sheet



Top

Opaque Glass



Glass

Extra-light acid-treated white



Glass

Extra-light acid-treated black

Ceramic



Silk finish ceramic
Calacatta macchia
vecchia



Glossy ceramic
Calacatta



Glossy ceramic
Gold Onice



Mat ceramic
Ardesia grey



Mat ceramic
Laurent

Base

Metal



Painted metal
Mat white



Painted metal
Mat anthracite
grey



Painted metal
Mat black



Painted metal
Mat brown



Painted metal
Mat dove grey

Plus Metal



Painted metal
Mat bronze



Painted metal
Mat lead



Painted metal
Mat pearl gold



Painted metal
Mat platinum

The samples above represent the complete range of materials and finishes available for this product (regardless of the top shape or size, in the case of tables). Fabrics, eco-leather, leather and emery leather shown in this website are a selection. Colors and finishes are approximate and may slightly differ from actual ones. Please visit Bonaldo dealers to see the complete sample collection and get further details about our products.