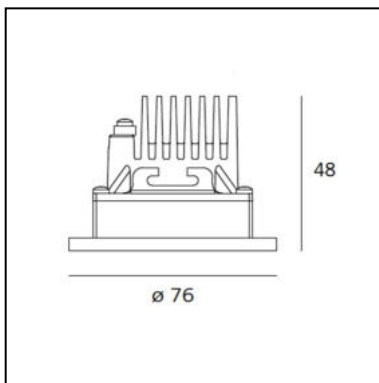


# Zeno Up 3 Frosted - 3000K - Round

Jan Van Lierde



IP40   Dimmerable: 



## LUMINAIRE

- Watt: **5W**
- Delivered lumens output: **138lm**
- CCT: **3000K**
- Efficiency: **36%**
- Efficacy: **28.75lm/W**
- CRI: **80**

## Notes

Driver 500mA supplied separately.

## DESCRIPTION

Light fixture with high-performance LED light sources.  
Consists of: frame, body, fixing springs.  
Frame in frosted opal glass, 4mm thick.  
Body in injection mould of aluminium.  
Fixing springs in harmonic steel.  
Electrical connection to the driver by means of a FROR cable and a terminal board.  
Technical features of light fixtures in compliance with EN60598-1.

**PRODUCT CODE: NL17090K0**

## FEATURES

- Article Code: **NL17090K0**
- Installation: **CeilingRecessed**
- Series: **Architectural Indoor**
- design by: **Jan Van Lierde**

## DIMENSIONS

- Diameter: **cm 7.6**
- Cutout diameter: **cm 7**
- Recessed depth: **cm 4.8**
- Weight: **kg 0.3**

## SOURCES INCLUDED

- Category: **Led**
- Number: **1**
- Watt: **5W**
- Delivered lumens output: **384lm**
- Color temperature (K): **3000K**
- CRI: **=80**
- Color Tolerance: **MacAdam 4SDCM**
- Efficacy: **80lm/W**
- Service Life: **L70(6K) > 39300h**

**Accessories**

NO  
IMAGE  
AVAILABLE

Driver 20-25W - 220-240Vac - 164x38x25  
(LxWxH) - Dimmable DALI/PUSH DV1003

NO  
IMAGE  
AVAILABLE

Driver 16/20/23/25/28/32W - 900mA - 220-240  
156x52x26 (LxWxH) Dimmable DALI/PUSH M077401

NO  
IMAGE  
AVAILABLE

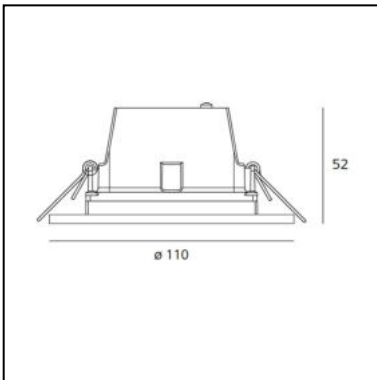
Driver 8W 500mA - 220-240 Vac - 22x110x19  
(LxWxH) - Undimmable NL19041

# Zeno Up 4 Frosted - 3000K - Round

Jan Van Lierde



IP40  Dimmerable: 



## LUMINAIRE

- Watt: **10W**
- Delivered lumens output: **464lm**
- CCT: **3000K**
- Efficiency: **60%**
- Efficacy: **46.4lm/W**
- CRI: **80**

## Notes

Driver 700mA supplied separately.

## DESCRIPTION

Light fixture with high-performance LED light sources.  
Consists of: frame, body, fixing springs.  
Frame in frosted opal glass, 4mm thick.  
Body in injection mould of aluminium.  
Fixing springs in harmonic steel.  
Electrical connection to the driver by means of a FROR cable and a terminal board.  
Technical features of light fixtures in compliance with EN60598-1.

**PRODUCT CODE: NL17092K0**

## FEATURES

- Article Code: **NL17092K0**
- Installation: **CeilingRecessed**
- Series: **Architectural Indoor**
- design by: **Jan Van Lierde**

## DIMENSIONS

- Diameter: **cm 11**
- Cutout diameter: **cm 10.3**
- Recessed depth: **cm 5.2**
- Weight: **kg 0.3**

## SOURCES INCLUDED

- Category: **Led**
- Number: **1**
- Watt: **10W**
- Color temperature (K): **3000K**

**Accessories**

NO  
IMAGE  
AVAILABLE

Driver 20-25W - 220-240Vac - 164x38x25  
(LxWxH) - Dimmable DALI/PUSH DV1003

NO  
IMAGE  
AVAILABLE

Driver 20W - 700mA - 220-240 Vac - 125x38x23  
(LxWxH) - Undimmable NL19036

NO  
IMAGE  
AVAILABLE

Driver 16/20/23/25/28/32W - 900mA - 220-240  
156x52x26 (LxWxH) Dimmable DALI/PUSH  
M077401