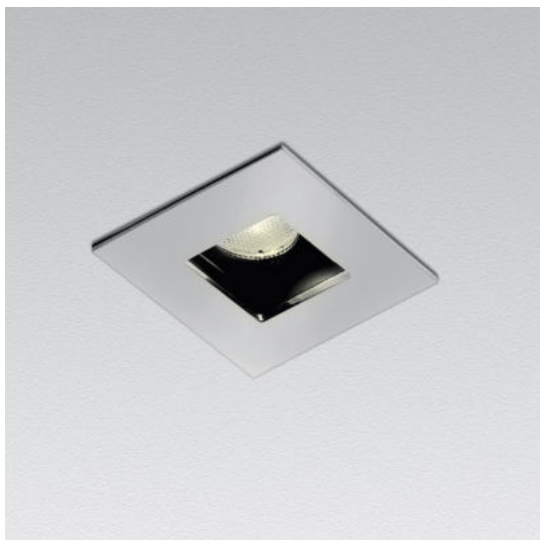
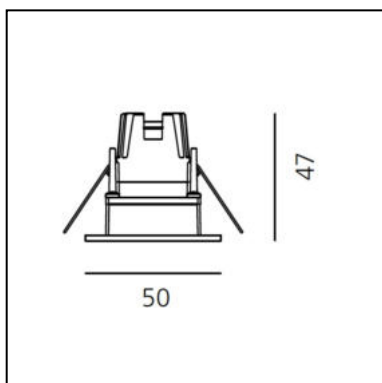


Zeno Up 2 - 13° 3000K - Silver

Jan Van Lierde



IP65   Dimmerable: 



LUMINAIRE

- Watt: **2W**
- Delivered lumens output: **128lm**
- CCT: **3000K**
- Efficiency: **76%**
- Efficacy: **60.95lm/W**
- CRI: **80**

Notes

Driver 500/700mA supplied separately.

DESCRIPTION

Light fixture with high-performance LED light sources. Low recessed depth.
Consists of: body, frame, black silkscreened tempered glass, fixing springs.
Body in EN AB44100 aluminium, silicone gaskets. Frame in aluminium. Black silkscreened tempered glass, 4mm-thick.
Fixing springs in harmonic steel.
Power connection to the mains by means of a H05RN-r cable and IP68 electrical terminal board, supplied with the fixture.
Glass surface temperature lower than 40°C.
Fixed optics. PMMA lenses in 2 different versions of beams.
Painted die-cast aluminium with 3-stage outdoor treatment: nanotechnologies, antioxydant primer, polyester paint.
Technical features of light fixtures in compliance with EN60598-1.

PRODUCT CODE: NL1708410K002

FEATURES

- Article Code: **NL1708410K002**
- Colour: **Silver**
- Installation: **CeilingRecessed**
- Series: **Architectural Indoor**
- design by: **Jan Van Lierde**

DIMENSIONS

- Length: **cm 5**
- Width: **cm 5**
- Cutout Width: **cm 3.6**
- Cutout length: **cm 3.8**
- Recessed depth: **cm 4.7**
- Weight: **kg 0.1**

SOURCES INCLUDED

- Category: **Led**
- Number: **1**
- Watt: **2W**
- Delivered lumens output: **168LM**
- Color temperature (K): **3000K**
- CRI: **80**
- Color Tolerance: **MacAdam 4SDCM**
- Efficacy: **80lm/W**
- Service Life: **L70(6K) > 36300h**

Accessories

NO
IMAGE
AVAILABLE

Driver 20-25W - 220-240Vac - 164x38x25
(LxWxH) - Dimmable DALI/PUSH DV1003

NO
IMAGE
AVAILABLE

Driver 14W - 700mA 220-240 - 79x38x25 (LxWxH) -
IP67 - Undimable DV3003

NO
IMAGE
AVAILABLE

Driver 38W - 220-240 - 185x35x33 (LxWxH) - IP67
- Dimmable DALI DV1042

NO
IMAGE
AVAILABLE

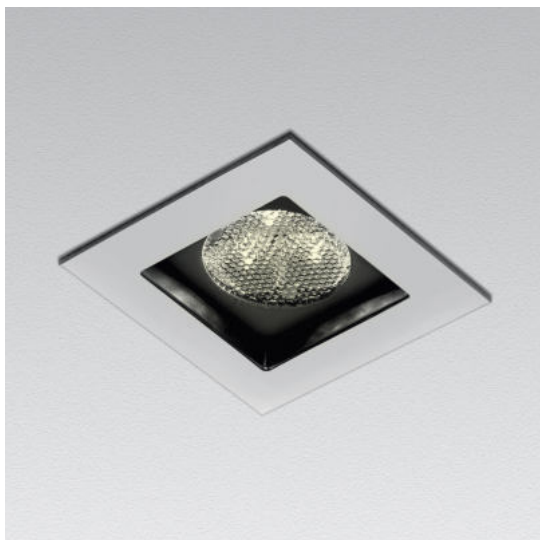
Driver 16/20/23/25/28/32W - 900mA - 220-240
156x52x26 (LxWxH) Dimmable DALI/PUSH M077401

NO
IMAGE
AVAILABLE

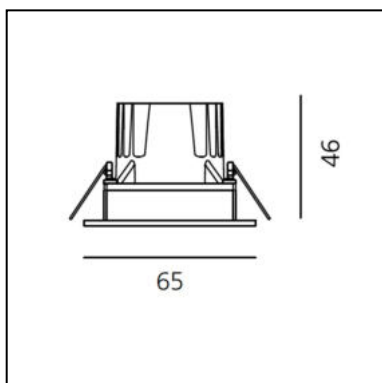
Driver 10W - 700mA 220-240 Vac - 75x38x25
(LxWxH) - IP20 - Undimable NL19035

Zeno Up 3 - 16° 3000K - Silver

Jan Van Lierde



IP65   Dimmerable: 



LUMINAIRE

- Watt: **5W**
- Delivered lumens output: **269lm**
- CCT: **3000K**
- Efficiency: **70%**
- Efficacy: **56.04lm/W**
- CRI: **80**

Notes

Driver 500/700mA supplied separately.

DESCRIPTION

Light fixture with high-performance LED light sources. Low recessed depth.
Consists of: body, frame, black silkscreened tempered glass, fixing springs.
Body in EN AB44100 aluminium, silicone gaskets. Frame in aluminium. Black silkscreened tempered glass, 4mm-thick.
Fixing springs in harmonic steel.
Power connection to the mains by means of a H05RN-r cable and IP68 electrical terminal board, supplied with the fixture.
Glass surface temperature lower than 40°C.
Fixed optics. PMMA lenses in 2 different versions of beams.
Painted die-cast aluminium with 3-stage outdoor treatment: nanotechnologies, antioxydant primer, polyester paint.
Technical features of light fixtures in compliance with EN60598-1.

PRODUCT CODE: NL1708510K002

FEATURES

- Article Code: **NL1708510K002**
- Colour: **Silver**
- Installation: **CeilingRecessed**
- Series: **Architectural Indoor**
- design by: **Jan Van Lierde**

DIMENSIONS

- Length: **cm 6.5**
- Width: **cm 6.5**
- Cutout Width: **cm 5.6**
- Cutout length: **cm 5.2**
- Recessed depth: **cm 4.6**
- Weight: **kg 0.2**

SOURCES INCLUDED

- Category: **Led**
- Number: **1**
- Watt: **5W**
- Delivered lumens output: **384lm**
- Color temperature (K): **3000K**
- CRI: **=80**
- Color Tolerance: **MacAdam 4SDCM**
- Efficacy: **80lm/W**
- Service Life: **L70(6K) > 39300h**

Accessories

NO
IMAGE
AVAILABLE

Driver 20-25W - 220-240Vac - 164x38x25
(LxWxH) - Dimmable DALI/PUSH DV1003

NO
IMAGE
AVAILABLE

Driver 38W - 220-240 - 185x35x33 (LxWxH) - IP67 -
Dimmable DALI DV1042

NO
IMAGE
AVAILABLE

Driver 14W - 220-240 - 79x38x25 (LxWxH) - IP67
- Undimmable DV3002

NO
IMAGE
AVAILABLE

Driver 16/20/23/25/28/32W - 900mA - 220-240
156x52x26 (LxWxH) Dimmable DALI/PUSH M077401

NO
IMAGE
AVAILABLE

Driver 28W - 220-240 - 120x38x25 (LxWxH) - IP67
- Undimmable DV1039

NO
IMAGE
AVAILABLE

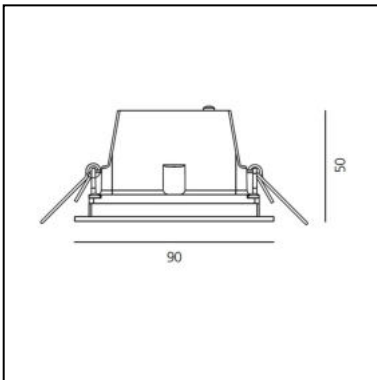
Driver 10W - 500mA - 220-240 22x110x19 (LxWxH) -
IP27 - Undimmable NL10941

Zeno Up 4 - 10° 3000K - Silver

Jan Van Lierde



IP65   Dimmerable: 



LUMINAIRE

- Watt: **6.5W**
- Delivered lumens output: **364lm**
- CCT: **3000K**
- Efficiency: **70%**
- Efficacy: **57.78lm/W**
- CRI: **80**

Notes

Driver 500/700mA supplied separately.

DESCRIPTION

Light fixture with high-performance LED light sources. Low recessed depth.
Consists of: body, frame, black silkscreened tempered glass, fixing springs.
Body in EN AB44100 aluminium, silicone gaskets. Frame in aluminium. Black silkscreened tempered glass, 4mm-thick.
Fixing springs in harmonic steel.
Power connection to the mains by means of a H05RN-r cable and IP68 electrical terminal board, supplied with the fixture.
Glass surface temperature lower than 40°C.
Fixed optics. PMMA lenses in 2 different versions of beams.
Painted die-cast aluminium with 3-stage outdoor treatment: nanotechnologies, antioxydant primer, polyester paint.
Technical features of light fixtures in compliance with EN60598-1.

PRODUCT CODE: NL1708610K002

FEATURES

- Article Code: **NL1708610K002**
- Colour: **Silver**
- Installation: **CeilingRecessed**
- Series: **Architectural Indoor**
- design by: **Jan Van Lierde**

DIMENSIONS

- Length: **cm 9**
- Width: **cm 9**
- Cutout Width: **cm 7.9**
- Cutout length: **cm 7.9**
- Recessed depth: **cm 5**
- Weight: **kg 0.3**

SOURCES INCLUDED

- Category: **Led**
- Number: **1**
- Watt: **6,5W**
- Color temperature (K): **3000K**
- CRI: **80**

Accessories

NO
IMAGE
AVAILABLE

Driver 20-25W - 220-240Vac - 164x38x25
(LxWxH) - Dimmable DALI/PUSH DV1003

NO
IMAGE
AVAILABLE

Driver 38W - 220-240 - 185x35x33 (LxWxH) - IP67 -
Dimmable DALI DV1042

NO
IMAGE
AVAILABLE

Driver 14W - 220-240 - 79x38x25 (LxWxH) - IP67
- Undimmable DV3002

NO
IMAGE
AVAILABLE

Driver 16/20/23/25/28/32W - 900mA - 220-240
156x52x26 (LxWxH) Dimmable DALI/PUSH M077401

NO
IMAGE
AVAILABLE

Driver 28W - 220-240 - 120x38x25 (LxWxH) - IP67
- Undimmable DV1039

NO
IMAGE
AVAILABLE

Driver 10W - 500mA - 220-240 22x110x19 (LxWxH) -
IP27 - Undimmable NL10941