

El Porís

Herzog & de Meuron



DESCRIPTION

El Porís is a modern chandelier, light and rigorous but scenic and sculptural.

An elementary and geometric structure, with big dimensions, welcomes in the traditional E27 light bulbs attacks leaving the freedom to choose which sources to use.

Three steel tubes with decreasing diameter are joined by four vertical uprights.

The simplicity is apparent, revealing a design and production know-how capable of resolving the complexity in elements and details that disappear in the main structure.

"This light was created in 2007 while we were working on a house project on the coast of Tenerife. Starting with a sketch, it was made on site in different variations by the workers. It was supposed to be a temporary intervention but has become an essential element of the space, not replaceable and appreciated by the owners.

Until 2020 it was a unique piece. Its light is pleasant, quite intense but at the same time intimate and casts a shadow that looks like a drawing on the wall". **Herzog & de Meuron**

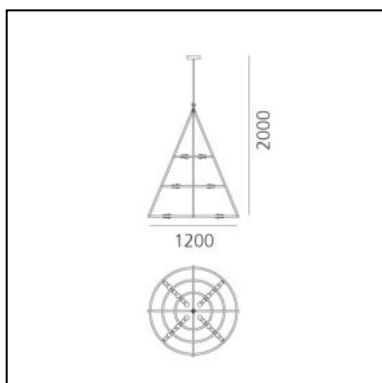
PRODUCT CODE: 1085030A

FEATURES

- Article Code: **1085030A**
- Colour: **Black**
- Installation: **Suspension**
- Series: **Design Collection, 2021 Artemide Collection**
- design by: **Herzog & de Meuron**

DIMENSIONS

- Height: **cm 147**
- Diameter: **cm 120**



Notes