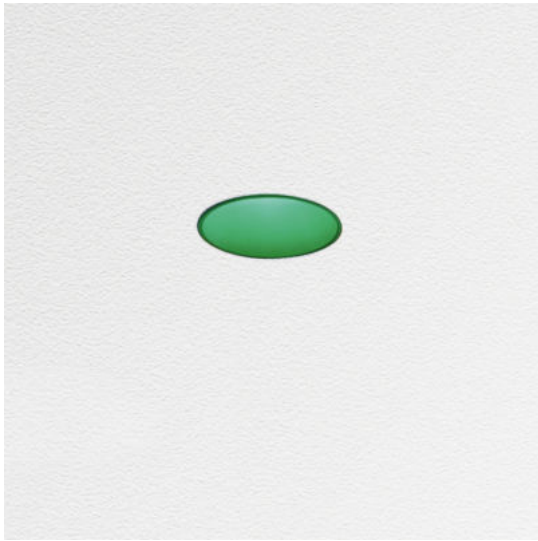
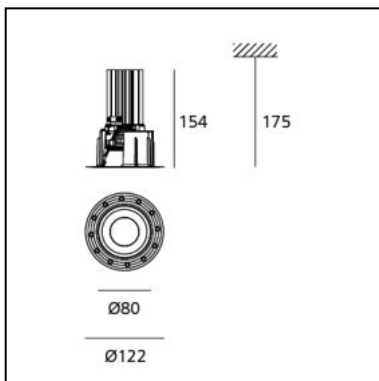


# Tagora Recessed 80 - GU10 - Green

S./R. Cornelissen



IP20 



## LUMINAIRE

- Voltage: **220V-240V**

## DESCRIPTION

Series of ceiling mounted luminaires available in 4 diameters (80 mm, 270 mm, 570 mm, 970 mm), using high-output LEDs, Retrofit LEDs. Consists of a trimless recessed frame fitted into the ceiling and an optical unit with an aluminium body painted in a range of colours: beige/white, grey/white, black/orange, black/green and black/blue. Tagora 80 and 270 offer a high-output spot light with aluminium optics. Tagora 270 uses a proprietary system based on a hybrid combined lens and reflector optic. This system helps to create defined narrow beams using high-powered LED modules of large dimensions. Tagora 570 and 970 come with a PMMA diffuser, offering a comfortable diffused light. LED versions use high-output sources. Integrated electronic power supply, dimmable or non-dimmable options, depending on the version. Only ceiling recessed installation allowed. Compliant with standard EN60598-1 and other specific standards.

## PRODUCT CODE: M020240

### FEATURES

- Article Code: **M020240**
- Colour: **Green**
- Material: **Aluminium**
- Series: **Architectural Indoor**
- design by: **S./R. Cornelissen**

### DIMENSIONS

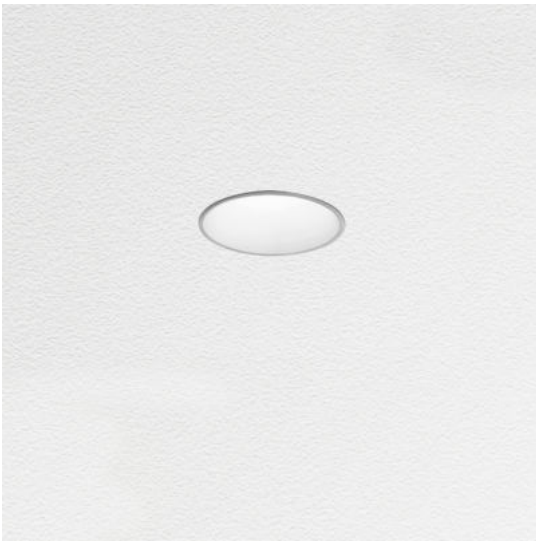
- Diameter: **cm 8**
- Cutout diameter: **cm 9.2**
- Recessed depth: **cm 15.4**
- Cutout shape: **Rounded**
- Weight: **kg 0.3**
- Glow Wire Test: **960°**

### SOURCES NOT INCLUDED

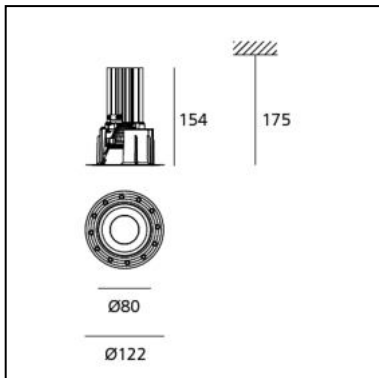
- Category: **LED RETROFIT**
- Number: **1**
- Watt: **4W**
- Socket: **GU10**

# Tagora Incasso 80 - Led 3000K - 36° - White

S./R. Cornelissen



IP20   Dimmerable: 



## LUMINAIRE

- Power Supply: **Power supply supplied separately**
- Transformer availability: **Remote**
- Watt: **14W**
- Voltage: **220V-240V**
- Delivered lumens output: **1027lm**
- CCT: **3000K**
- Efficiency: **69%**
- Efficacy: **73.39lm/W**
- CRI: **90**

## DESCRIPTION

Series of ceiling mounted luminaires available in 4 diameters (80 mm, 270 mm, 570 mm, 970 mm), using high-output LEDs, Retrofit LEDs. Consists of a trimless recessed frame fitted into the ceiling and an optical unit with an aluminium body painted in a range of colours: beige/white, grey/white, black/orange, black/green and black/blue. Tagora 80 and 270 offer a high-output spot light with aluminium optics. Tagora 270 uses a proprietary system based on a hybrid combined lens and reflector optic. This system helps to create defined narrow beams using high-powered LED modules of large dimensions. Tagora 570 and 970 come with a PMMA diffuser, offering a comfortable diffused light. LED versions use high-output sources. Integrated electronic power supply, dimmable or non-dimmable options, depending on the version. Only ceiling recessed installation allowed. Compliant with standard EN60598-1 and other specific standards.

## PRODUCT CODE: AB00101

## FEATURES

- Article Code: **AB00101**
- Colour: **White**
- Material: **Aluminium**
- Series: **Architectural Indoor**
- design by: **S./R. Cornelissen**

## DIMENSIONS

- Height: **cm 15.4**
- Diameter: **cm 8**
- Cutout diameter: **cm 9.2**
- Recessed depth: **cm 17.5**
- Cutout shape: **Rounded**
- Weight: **kg 0.3**
- Glow Wire Test: **960°**

## SOURCES INCLUDED

- Category: **Led**
- Number: **1**
- Watt: **14W**
- Color temperature (K): **3000K**
- CRI: **90**
- Color Tolerance: **MacAdam 3SDCM**
- Service Life: **L70 (6K) 60000h**

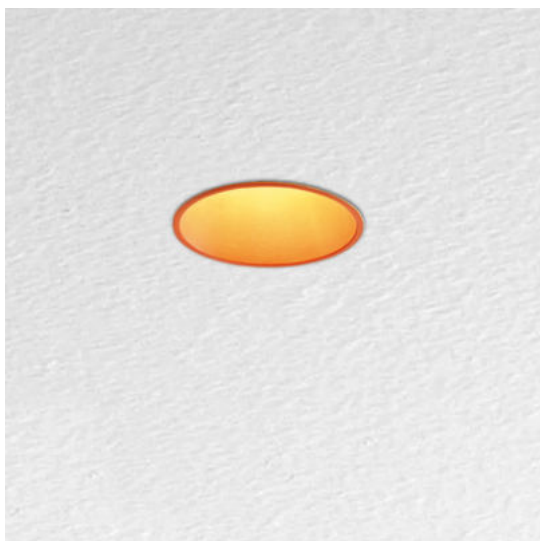
**Accessories**

NO  
IMAGE  
AVAILABLE

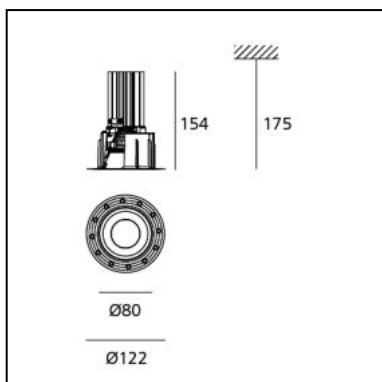
Driver 16/20/23/25/28/32W - 900mA - 220-240  
156x52x26 (LxWxH) Dimmable DALI/PUSH  
M077401

# Tagora Incasso 80 - Led 3000K - 44° - Orange

S./R. Cornelissen



IP20   Dimmerable: 



## LUMINAIRE

- Power Supply: **Power supply supplied separately**
- Transformer availability: **Remote**
- Watt: **14W**
- Voltage: **220V-240V**
- Delivered lumens output: **1111lm**
- CCT: **3000K**
- Efficiency: **75%**
- Efficacy: **79.34lm/W**
- CRI: **90**

## DESCRIPTION

Series of ceiling mounted luminaires available in 4 diameters (80 mm, 270 mm, 570 mm, 970 mm), using high-output LEDs, Retrofit LEDs. Consists of a trimless recessed frame fitted into the ceiling and an optical unit with an aluminium body painted in a range of colours: beige/white, grey/white, black/orange, black/green and black/blue. Tagora 80 and 270 offer a high-output spot light with aluminium optics. Tagora 270 uses a proprietary system based on a hybrid combined lens and reflector optic. This system helps to create defined narrow beams using high-powered LED modules of large dimensions. Tagora 570 and 970 come with a PMMA diffuser, offering a comfortable diffused light. LED versions use high-output sources. Integrated electronic power supply, dimmable or non-dimmable options, depending on the version. Only ceiling recessed installation allowed. Compliant with standard EN60598-1 and other specific standards.

**PRODUCT CODE: AB00216**

## FEATURES

- Article Code: **AB00216**
- Colour: **Orange**
- Material: **Aluminium**
- Series: **Architectural Indoor**
- design by: **S./R. Cornelissen**

## DIMENSIONS

- Height: **cm 15.4**
- Diameter: **cm 8**
- Cutout diameter: **cm 9.2**
- Recessed depth: **cm 17.5**
- Cutout shape: **Rounded**
- Weight: **kg 0.3**
- Glow Wire Test: **960°**

## SOURCES INCLUDED

- Category: **Led**
- Number: **1**
- Watt: **14W**
- Color temperature (K): **3000K**
- CRI: **90**
- Color Tolerance: **MacAdam 3SDCM**
- Service Life: **L70 (6K) 60000h**

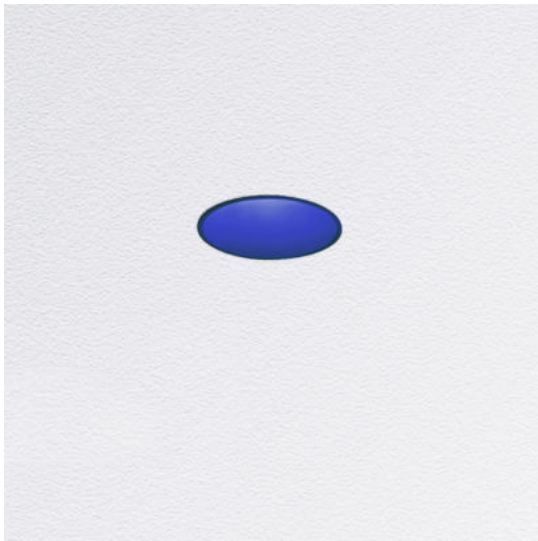
**Accessories**

NO  
IMAGE  
AVAILABLE

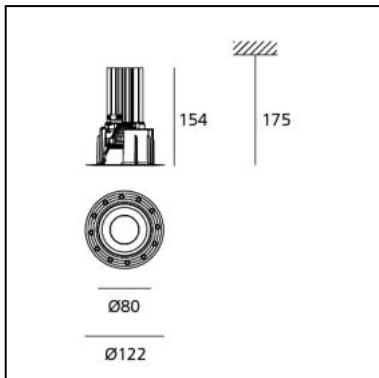
Driver 16/20/23/25/28/32W - 900mA - 220-240  
156x52x26 (LxWxH) Dimmable DALI/PUSH  
M077401

# Tagora Recessed 80 LED - 4000K - 52° - Blue

S./R. Cornelissen



IP20   Dimmerable: 



## LUMINAIRE

- Power Supply: **Power supply supplied separately**
- Transformer availability: **Remote**
- Watt: **14W**
- Voltage: **220V-240V**
- Delivered lumens output: **1047lm**
- CCT: **4000K**
- Efficiency: **68%**
- Efficacy: **74.78lm/W**
- CRI: **90**

## DESCRIPTION

Series of ceiling mounted luminaires available in 4 diameters (80 mm, 270 mm, 570 mm, 970 mm), using high-output LEDs, Retrofit LEDs. Consists of a trimless recessed frame fitted into the ceiling and an optical unit with an aluminium body painted in a range of colours: beige/white, grey/white, black/orange, black/green and black/blue. Tagora 80 and 270 offer a high-output spot light with aluminium optics. Tagora 270 uses a proprietary system based on a hybrid combined lens and reflector optic. This system helps to create defined narrow beams using high-powered LED modules of large dimensions. Tagora 570 and 970 come with a PMMA diffuser, offering a comfortable diffused light. LED versions use high-output sources. Integrated electronic power supply, dimmable or non-dimmable options, depending on the version. Only ceiling recessed installation allowed. Compliant with standard EN60598-1 and other specific standards.

## PRODUCT CODE: AB00602

## FEATURES

- Article Code: **AB00602**
- Colour: **Blue**
- Material: **Aluminium**
- Series: **Architectural Indoor**
- design by: **S./R. Cornelissen**

## DIMENSIONS

- Height: **cm 15.4**
- Diameter: **cm 8**
- Cutout diameter: **cm 9.2**
- Recessed depth: **cm 17.5**
- Cutout shape: **Rounded**
- Weight: **kg 0.3**
- Glow Wire Test: **960°**

## SOURCES INCLUDED

- Category: **Led**
- Number: **1**
- Watt: **14W**
- Color temperature (K): **4000K**
- CRI: **90**
- Color Tolerance: **MacAdam 3SDCM**
- Service Life: **L70 (6K) 60000h**

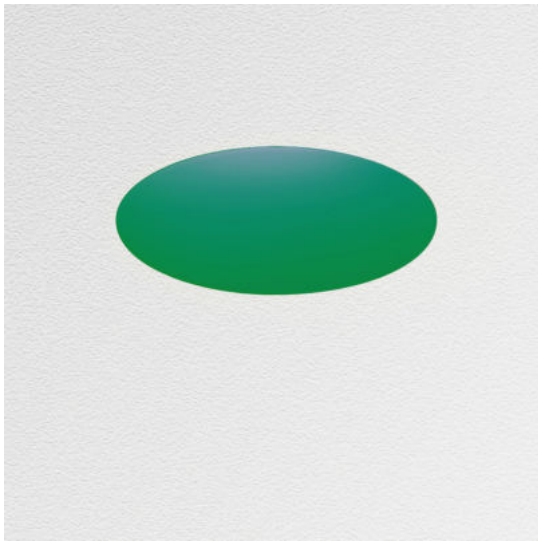
**Accessories**

NO  
IMAGE  
AVAILABLE

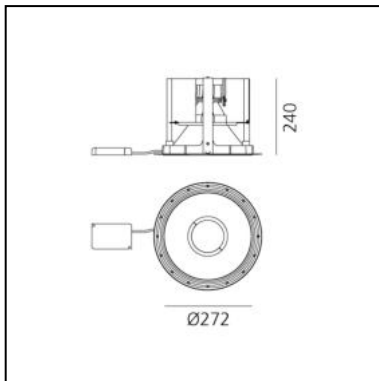
Driver 16/20/23/25/28/32W - 900mA - 220-240  
156x52x26 (LxWxH) Dimmable DALI/PUSH  
M077401

# Tagora Recessed 270 - LED 16° -3000K - Green

S./R. Cornelissen



IP20  Dimmerable: 



## LUMINAIRE

- Power Supply: **Electronic Integrated**
- Watt: **34W**
- Voltage: **220V-240V**
- Delivered lumens output: **1804lm**
- CCT: **3000K**
- Efficiency: **47%**
- Efficacy: **53.06lm/W**
- CRI: **90**
- Dimmable Typology: **Dali**

## DESCRIPTION

Series of ceiling mounted luminaires available in 4 diameters (80 mm, 270 mm, 570 mm, 970 mm), using high-output LEDs, Retrofit LEDs. Consists of a trimless recessed frame fitted into the ceiling and an optical unit with an aluminium body painted in a range of colours: beige/white, grey/white, black/orange, black/green and black/blue. Tagora 80 and 270 offer a high-output spot light with aluminium optics. Tagora 270 uses a proprietary system based on a hybrid combined lens and reflector optic. This system helps to create defined narrow beams using high-powered LED modules of large dimensions. Tagora 570 and 970 come with a PMMA diffuser, offering a comfortable diffused light. LED versions use high-output sources. Integrated electronic power supply, dimmable or non-dimmable options, depending on the version. Only ceiling recessed installation allowed. Compliant with standard EN60598-1 and other specific standards.

**PRODUCT CODE: M250441**

## FEATURES

- Article Code: **M250441**
- Colour: **Green**
- Material: **Aluminium**
- Series: **Architectural Indoor**
- design by: **S./R. Cornelissen**

## DIMENSIONS

- Diameter: **cm 27.2**
- Cutout diameter: **cm 29.2**
- Recessed depth: **cm 24**
- Cutout shape: **Rounded**
- Weight: **kg 3.8**
- Glow Wire Test: **750°**

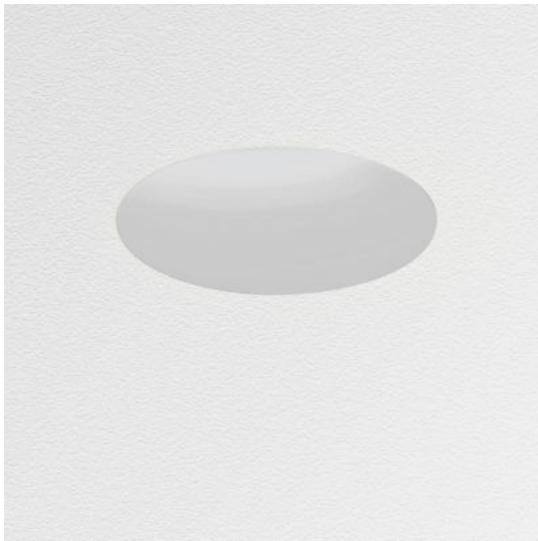
## SOURCES INCLUDED

- Category: **Led**
- Number: **1**
- Watt: **32W**
- Color temperature (K): **3000K**
- CRI: **90**
- Color Tolerance: **MacAdam 1SDCM**
- Service Life: **L70 (6K) 50000h**

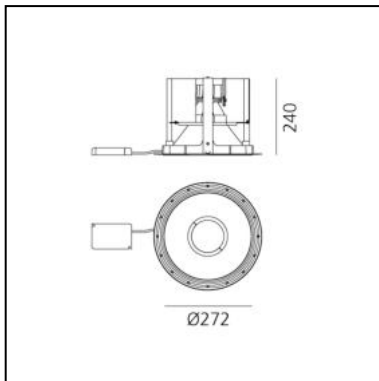


# Tagora Recessed 270 - LED 32°- 3000K - White

S./R. Cornelissen



IP20  Dimmerable: +0-



## LUMINAIRE

- Power Supply: **Electronic Integrated**
- Watt: **34W**
- Voltage: **220V-240V**
- Delivered lumens output: **1636lm**
- CCT: **3000K**
- Efficiency: **43%**
- Efficacy: **48.11lm/W**
- CRI: **90**
- Dimmable Typology: **Dali**

## DESCRIPTION

Series of ceiling mounted luminaires available in 4 diameters (80 mm, 270 mm, 570 mm, 970 mm), using high-output LEDs, Retrofit LEDs. Consists of a trimless recessed frame fitted into the ceiling and an optical unit with an aluminium body painted in a range of colours: beige/white, grey/white, black/orange, black/green and black/blue. Tagora 80 and 270 offer a high-output spot light with aluminium optics. Tagora 270 uses a proprietary system based on a hybrid combined lens and reflector optic. This system helps to create defined narrow beams using high-powered LED modules of large dimensions. Tagora 570 and 970 come with a PMMA diffuser, offering a comfortable diffused light. LED versions use high-output sources. Integrated electronic power supply, dimmable or non-dimmable options, depending on the version. Only ceiling recessed installation allowed. Compliant with standard EN60598-1 and other specific standards.

**PRODUCT CODE: M250621**

## FEATURES

- Article Code: **M250621**
- Colour: **White**
- Material: **Aluminium**
- Series: **Architectural Indoor**
- design by: **S./R. Cornelissen**

## DIMENSIONS

- Diameter: **cm 27.2**
- Cutout diameter: **cm 29.2**
- Recessed depth: **cm 24**
- Cutout shape: **Rounded**
- Weight: **kg 3.8**
- Glow Wire Test: **750°**

## SOURCES INCLUDED

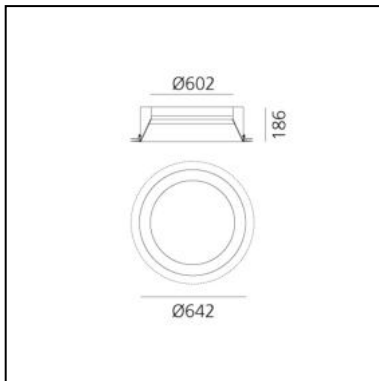
- Category: **Led**
- Number: **1**
- Watt: **32W**
- Color temperature (K): **3000K**
- CRI: **90**
- Color Tolerance: **MacAdam 1SDCM**
- Service Life: **L70 (6K) 50000h**

# Tagora Recessed 570 - LED 3000K-Dali SwitchDim - Green

S./R. Cornelissen



IP20  Dimmerable: 



## LUMINAIRE

- Power Supply: **220/240Vac 50/60Hz electronic ballast included**
- Watt: **58W**
- Voltage: **220V-240V**
- Delivered lumens output: **3593lm**
- CCT: **3000K**
- Efficiency: **43%**
- Efficacy: **61.95lm/W**
- CRI: **80**
- Dimmable Typology: **Dali**

## DESCRIPTION

Series of ceiling mounted luminaires available in 4 diameters (80 mm, 270 mm, 570 mm, 970 mm), using high-output LEDs, Retrofit LEDs. Consists of a trimless recessed frame fitted into the ceiling and an optical unit with an aluminium body painted in a range of colours: beige/white, grey/white, black/orange, black/green and black/blue. Tagora 80 and 270 offer a high-output spot light with aluminium optics. Tagora 270 uses a proprietary system based on a hybrid combined lens and reflector optic. This system helps to create defined narrow beams using high-powered LED modules of large dimensions. Tagora 570 and 970 come with a PMMA diffuser, offering a comfortable diffused light. LED versions use high-output sources. Integrated electronic power supply, dimmable or non-dimmable options, depending on the version. Only ceiling recessed installation allowed. Compliant with standard EN60598-1 and other specific standards.

**PRODUCT CODE: M250241**

## FEATURES

- Article Code: **M250241**
- Colour: **Green**
- Installation: **Recessed**
- Material: **Aluminium**
- Series: **Architectural Indoor**
- design by: **S./R. Cornelissen**

## DIMENSIONS

- Diameter: **cm 64.2**
- Cutout diameter: **cm 60.6**
- Recessed depth: **cm 18.6**
- Cutout shape: **Rounded**
- Weight: **kg 6.3**
- Glow Wire Test: **650°**

## SOURCES INCLUDED

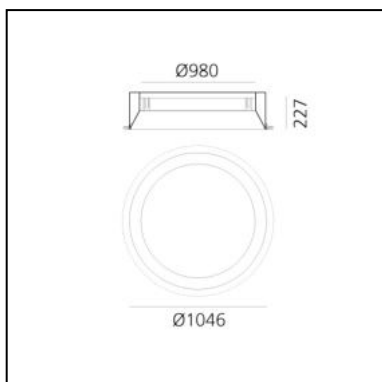
- Category: **Led**
- Number: **1**
- Watt: **58W**
- Color temperature (K): **3000K**
- CRI: **80**
- Color Tolerance: **MacAdam 3SDCM**
- Service Life: **L70 (6K) 50000h**

# Tagora Recessed 970 -LED 3000K-Dali-SwitchDim-Green

S./R. Cornelissen



IP20  Dimmerable: 



## LUMINAIRE

- Power Supply: **220/240Vac 50/60Hz electronic ballast included**
- Watt: **84W**
- Voltage: **220V-240V**
- Delivered lumens output: **6425lm**
- CCT: **3000K**
- Efficiency: **54%**
- Efficacy: **76.49lm/W**
- CRI: **80**
- Dimmable Typology: **Dali**

## DESCRIPTION

Series of ceiling mounted luminaires available in 4 diameters (80 mm, 270 mm, 570 mm, 970 mm), using high-output LEDs, Retrofit LEDs. Consists of a trimless recessed frame fitted into the ceiling and an optical unit with an aluminium body painted in a range of colours: beige/white, grey/white, black/orange, black/green and black/blue. Tagora 80 and 270 offer a high-output spot light with aluminium optics. Tagora 270 uses a proprietary system based on a hybrid combined lens and reflector optic. This system helps to create defined narrow beams using high-powered LED modules of large dimensions. Tagora 570 and 970 come with a PMMA diffuser, offering a comfortable diffused light. LED versions use high-output sources. Integrated electronic power supply, dimmable or non-dimmable options, depending on the version. Only ceiling recessed installation allowed. Compliant with standard EN60598-1 and other specific standards.

**PRODUCT CODE: M250041**

## FEATURES

- Article Code: **M250041**
- Colour: **Green**
- Material: **Aluminium**
- Series: **Architectural Indoor**
- design by: **S./R. Cornelissen**

## DIMENSIONS

- Diameter: **cm 104.6**
- Cutout diameter: **cm 100.2**
- Recessed depth: **cm 22.7**
- Cutout shape: **Rounded**
- Weight: **kg 21**
- Glow Wire Test: **650°**

## SOURCES INCLUDED

- Category: **Led**
- Number: **1**
- Watt: **84W**
- Color temperature (K): **3000K**
- CRI: **80**
- Color Tolerance: **MacAdam 3SDCM**
- Service Life: **L70 (6K) 50000h**