
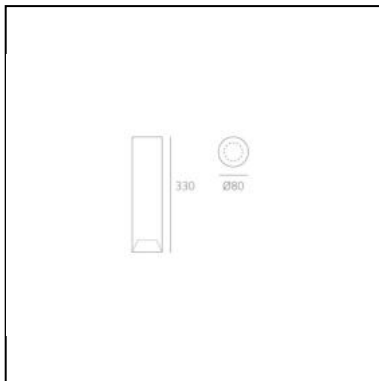


# Tagora Ceiling 80 - Led GU10 - Beige/White

S./R. Cornelissen



IP20 



## LUMINAIRE

- Power Supply: **220/240Vac 50/60Hz electronic ballast included**
- Transformer availability: **Integrated**
- Voltage: **220V-240V**

## DESCRIPTION

Series of ceiling mounted luminaires available in 4 diameters (80 mm, 270 mm, 570 mm, 970 mm), using high-output LEDs, Retrofit LEDs. Aluminium body available in different two-coloured versions: beige/white, grey/white, black/orange, black/green and black/blue. Tagora 80 and 270 offer a high-output spot light with aluminium optics. Tagora 270 uses a proprietary system based on a hybrid combined lens and reflector optic. This system helps to create defined narrow beams using high-powered LED modules of large dimensions. Tagora 570 and 970 come with a PMMA diffuser, offering a comfortable diffused light. LED versions use high-output sources. Integrated electronic power supply, dimmable or non-dimmable options, depending on the version. Only ceiling mounted installation allowed. Compliant with standard EN60598-1 and other specific standards.

**PRODUCT CODE: M018920**

## FEATURES

- Article Code: **M018920**
- Colour: **Beige/White**
- Material: **Aluminium**
- Series: **Architectural Indoor**
- design by: **S./R. Cornelissen**

## DIMENSIONS

- Height: **cm 33**
- Diameter: **cm 8**
- Cutout shape: **Rounded**
- Weight: **kg 1.1**
- Glow Wire Test: **960°**

## SOURCES NOT INCLUDED

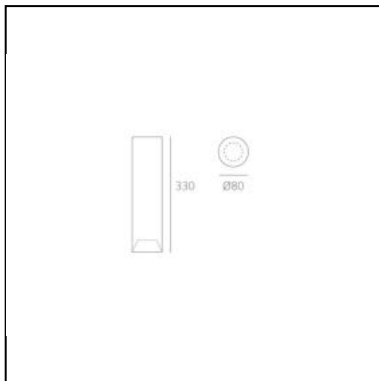
- Category: **LED RETROFIT**
- Number: **1**
- Watt: **4W**
- Socket: **GU10**

# Tagora Ceiling 80 - Led 36° 3000K - Beige/White - Dimmable Dali

S./R. Cornelissen



IP20  Dimmerable: 



## LUMINAIRE

- Power Supply: **220/240Vac 50/60Hz electronic ballast included**
- Transformer availability: **Integrated**
- Watt: **14W**
- Voltage: **220V-240V**
- Delivered lumens output: **1027lm**
- CCT: **3000K**
- Efficiency: **69%**
- Efficacy: **73.39lm/W**
- CRI: **90**
- Dimmable Typology: **Dali**

## DESCRIPTION

Series of ceiling mounted luminaires available in 4 diameters (80 mm, 270 mm, 570 mm, 970 mm), using high-output LEDs, Retrofit LEDs. Aluminium body available in different two-coloured versions: beige/white, grey/white, black/orange, black/green and black/blue. Tagora 80 and 270 offer a high-output spot light with aluminium optics. Tagora 270 uses a proprietary system based on a hybrid combined lens and reflector optic. This system helps to create defined narrow beams using high-powered LED modules of large dimensions. Tagora 570 and 970 come with a PMMA diffuser, offering a comfortable diffused light. LED versions use high-output sources. Integrated electronic power supply, dimmable or non-dimmable options, depending on the version. Only ceiling mounted installation allowed. Compliant with standard EN60598-1 and other specific standards.

**PRODUCT CODE: AB08152**

## FEATURES

- Article Code: **AB08152**
- Colour: **Beige/White**
- Material: **Aluminium**
- Series: **Architectural Indoor**
- design by: **S./R. Cornelissen**

## DIMENSIONS

- Height: **cm 33**
- Diameter: **cm 8**
- Cutout shape: **Rounded**
- Weight: **kg 1.1**
- Glow Wire Test: **960°**


## SOURCES INCLUDED

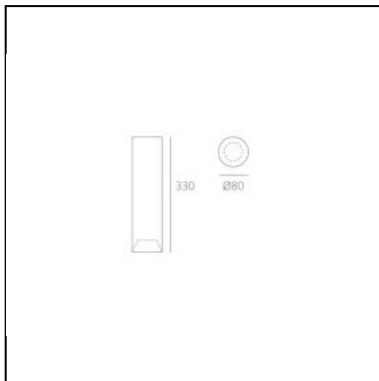
- Category: **Led**
- Number: **1**
- Watt: **14W**
- Color temperature (K): **3000K**
- CRI: **90**
- Color Tolerance: **MacAdam 3SDCM**
- Service Life: **L70 (6K) 60000h**

# Tagora Ceiling 80 - Led 36° 3000K - Beige/White - Undimmable

S./R. Cornelissen



IP20 



## LUMINAIRE

- Power Supply: **220/240Vac 50/60Hz electronic ballast included**
- Transformer availability: **Integrated**
- Watt: **14W**
- Voltage: **220V-240V**
- Delivered lumens output: **1027lm**
- CCT: **3000K**
- Efficiency: **69%**
- Efficacy: **73.39lm/W**
- CRI: **90**

## DESCRIPTION

Series of ceiling mounted luminaires available in 4 diameters (80 mm, 270 mm, 570 mm, 970 mm), using high-output LEDs, Retrofit LEDs. Aluminium body available in different two-coloured versions: beige/white, grey/white, black/orange, black/green and black/blue. Tagora 80 and 270 offer a high-output spot light with aluminium optics. Tagora 270 uses a proprietary system based on a hybrid combined lens and reflector optic. This system helps to create defined narrow beams using high-powered LED modules of large dimensions. Tagora 570 and 970 come with a PMMA diffuser, offering a comfortable diffused light. LED versions use high-output sources. Integrated electronic power supply, dimmable or non-dimmable options, depending on the version. Only ceiling mounted installation allowed. Compliant with standard EN60598-1 and other specific standards.

**PRODUCT CODE: AB06152**

## FEATURES

- Article Code: **AB06152**
- Colour: **Beige/White**
- Material: **Aluminium**
- Series: **Architectural Indoor**
- design by: **S./R. Cornelissen**

## DIMENSIONS

- Height: **cm 33**
- Diameter: **cm 8**
- Cutout shape: **Rounded**
- Weight: **kg 1.1**
- Glow Wire Test: **960°**

## SOURCES INCLUDED

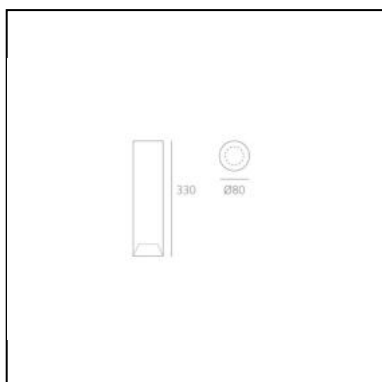
- Category: **Led**
- Number: **1**
- Watt: **14W**
- Color temperature (K): **3000K**
- CRI: **90**
- Color Tolerance: **MacAdam 3SDCM**
- Service Life: **L70 (6K) 60000h**

# Tagora Ceiling 80 - Led 44° 3000K - Beige/White - Dimmable Dali

S./R. Cornelissen



IP20  Dimmerable: 



## LUMINAIRE

- Power Supply: **220/240Vac 50/60Hz electronic ballast included**
- Transformer availability: **Integrated**
- Watt: **14W**
- Voltage: **220V-240V**
- Delivered lumens output: **1111lm**
- CCT: **3000K**
- Efficiency: **75%**
- Efficacy: **79.34lm/W**
- CRI: **90**
- Dimmable Typology: **Dali**

## DESCRIPTION

Series of ceiling mounted luminaires available in 4 diameters (80 mm, 270 mm, 570 mm, 970 mm), using high-output LEDs, Retrofit LEDs. Aluminium body available in different two-coloured versions: beige/white, grey/white, black/orange, black/green and black/blue. Tagora 80 and 270 offer a high-output spot light with aluminium optics. Tagora 270 uses a proprietary system based on a hybrid combined lens and reflector optic. This system helps to create defined narrow beams using high-powered LED modules of large dimensions. Tagora 570 and 970 come with a PMMA diffuser, offering a comfortable diffused light. LED versions use high-output sources. Integrated electronic power supply, dimmable or non-dimmable options, depending on the version. Only ceiling mounted installation allowed. Compliant with standard EN60598-1 and other specific standards.

**PRODUCT CODE: AB08252**

## FEATURES

- Article Code: **AB08252**
- Colour: **Beige/White**
- Material: **Aluminium**
- Series: **Architectural Indoor**
- design by: **S./R. Cornelissen**

## DIMENSIONS

- Height: **cm 33**
- Diameter: **cm 8**
- Cutout shape: **Rounded**
- Weight: **kg 1.1**
- Glow Wire Test: **960°**

## SOURCES INCLUDED

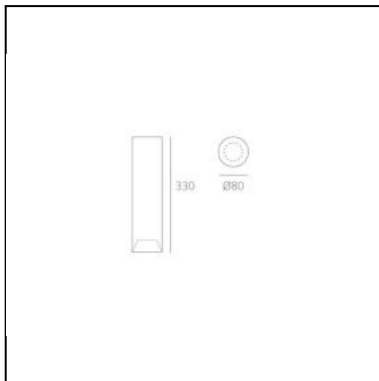
- Category: **Led**
- Number: **1**
- Watt: **14W**
- Color temperature (K): **3000K**
- CRI: **90**
- Color Tolerance: **MacAdam 3SDCM**
- Service Life: **L70 (6K) 60000h**

# Tagora Ceiling 80 - Led 44° 3000K - Beige/White - Undimmable

S./R. Cornelissen



IP20 



## LUMINAIRE

- Power Supply: **220/240Vac 50/60Hz electronic ballast included**
- Transformer availability: **Integrated**
- Watt: **14W**
- Voltage: **220V-240V**
- Delivered lumens output: **1111lm**
- CCT: **3000K**
- Efficiency: **75%**
- Efficacy: **79.34lm/W**
- CRI: **90**

## DESCRIPTION

Series of ceiling mounted luminaires available in 4 diameters (80 mm, 270 mm, 570 mm, 970 mm), using high-output LEDs, Retrofit LEDs. Aluminium body available in different two-coloured versions: beige/white, grey/white, black/orange, black/green and black/blue. Tagora 80 and 270 offer a high-output spot light with aluminium optics. Tagora 270 uses a proprietary system based on a hybrid combined lens and reflector optic. This system helps to create defined narrow beams using high-powered LED modules of large dimensions. Tagora 570 and 970 come with a PMMA diffuser, offering a comfortable diffused light. LED versions use high-output sources. Integrated electronic power supply, dimmable or non-dimmable options, depending on the version. Only ceiling mounted installation allowed. Compliant with standard EN60598-1 and other specific standards.

**PRODUCT CODE: AB06252**

## FEATURES

- Article Code: **AB06252**
- Colour: **Beige/White**
- Material: **Aluminium**
- Series: **Architectural Indoor**
- design by: **S./R. Cornelissen**

## DIMENSIONS

- Height: **cm 33**
- Diameter: **cm 8**
- Cutout shape: **Rounded**
- Weight: **kg 1.1**
- Glow Wire Test: **960°**

## SOURCES INCLUDED

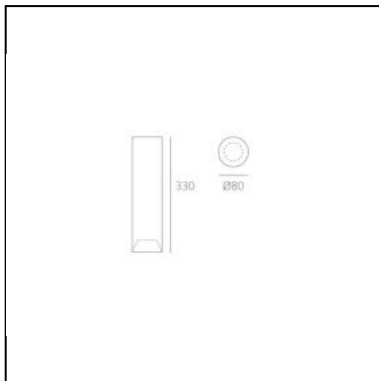
- Category: **Led**
- Number: **1**
- Watt: **14W**
- Color temperature (K): **3000K**
- CRI: **90**
- Color Tolerance: **MacAdam 3SDCM**
- Service Life: **L70 (6K) 60000h**

# Tagora Ceiling 80 - Led 52° 3000K - Beige/White - Dimmable Dali

S./R. Cornelissen



IP20  Dimmerable: 



## LUMINAIRE

- Power Supply: **220/240Vac 50/60Hz electronic ballast included**
- Transformer availability: **Integrated**
- Watt: **14W**
- Voltage: **220V-240V**
- Delivered lumens output: **1016lm**
- CCT: **3000K**
- Efficiency: **68%**
- Efficacy: **72.54lm/W**
- CRI: **90**
- Dimmable Typology: **Dali**

## DESCRIPTION

Series of ceiling mounted luminaires available in 4 diameters (80 mm, 270 mm, 570 mm, 970 mm), using high-output LEDs, Retrofit LEDs. Aluminium body available in different two-coloured versions: beige/white, grey/white, black/orange, black/green and black/blue. Tagora 80 and 270 offer a high-output spot light with aluminium optics. Tagora 270 uses a proprietary system based on a hybrid combined lens and reflector optic. This system helps to create defined narrow beams using high-powered LED modules of large dimensions. Tagora 570 and 970 come with a PMMA diffuser, offering a comfortable diffused light. LED versions use high-output sources. Integrated electronic power supply, dimmable or non-dimmable options, depending on the version. Only ceiling mounted installation allowed. Compliant with standard EN60598-1 and other specific standards.

**PRODUCT CODE: AB08352**

## FEATURES

- Article Code: **AB08352**
- Colour: **Beige/White**
- Material: **Aluminium**
- Series: **Architectural Indoor**
- design by: **S./R. Cornelissen**

## DIMENSIONS

- Height: **cm 33**
- Diameter: **cm 8**
- Cutout shape: **Rounded**
- Weight: **kg 1.1**
- Glow Wire Test: **960°**

## SOURCES INCLUDED

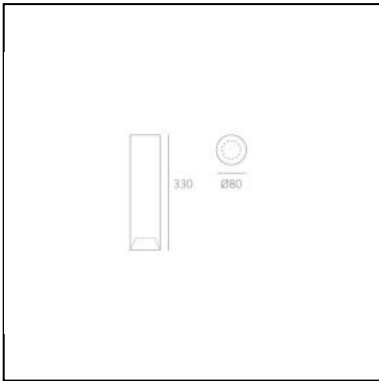
- Category: **Led**
- Number: **1**
- Watt: **14W**
- Color temperature (K): **3000K**
- CRI: **90**
- Color Tolerance: **MacAdam 3SDCM**
- Service Life: **L70 (6K) 60000h**

# Tagora Ceiling 80 - Led 52° 3000K - Beige/White -Undimmable

S./R. Cornelissen



IP20 



## LUMINAIRE

- Power Supply: **220/240Vac 50/60Hz electronic ballast included**
- Transformer availability: **Integrated**
- Watt: **14W**
- Voltage: **220V-240V**
- Delivered lumens output: **1016lm**
- CCT: **3000K**
- Efficiency: **68%**
- Efficacy: **72.54lm/W**
- CRI: **90**

## DESCRIPTION

Series of ceiling mounted luminaires available in 4 diameters (80 mm, 270 mm, 570 mm, 970 mm), using high-output LEDs, Retrofit LEDs. Aluminium body available in different two-coloured versions: beige/white, grey/white, black/orange, black/green and black/blue. Tagora 80 and 270 offer a high-output spot light with aluminium optics. Tagora 270 uses a proprietary system based on a hybrid combined lens and reflector optic. This system helps to create defined narrow beams using high-powered LED modules of large dimensions. Tagora 570 and 970 come with a PMMA diffuser, offering a comfortable diffused light. LED versions use high-output sources. Integrated electronic power supply, dimmable or non-dimmable options, depending on the version. Only ceiling mounted installation allowed. Compliant with standard EN60598-1 and other specific standards.

**PRODUCT CODE: AB06352**

## FEATURES

- Article Code: **AB06352**
- Colour: **Beige/White**
- Material: **Aluminium**
- Series: **Architectural Indoor**
- design by: **S./R. Cornelissen**

## DIMENSIONS

- Height: **cm 33**
- Diameter: **cm 8**
- Cutout shape: **Rounded**
- Weight: **kg 1.1**
- Glow Wire Test: **960°**

## SOURCES INCLUDED

- Category: **Led**
- Number: **1**
- Watt: **14W**
- Color temperature (K): **3000K**
- CRI: **90**
- Color Tolerance: **MacAdam 3SDCM**
- Service Life: **L70 (6K) 60000h**

# Tagora Ceiling 270 - 16° - 3000K - Black/Green

S./R. Cornelissen



IP20  Dimmerable: 

## LUMINAIRE

- Power Supply: **220/240Vac 50/60Hz electronic ballast included**
- Watt: **32W**
- Voltage: **220V-240V**
- Delivered lumens output: **1804lm**
- CCT: **3000K**
- Efficiency: **47%**
- Efficacy: **53.06lm/W**
- CRI: **90**
- Dimmable Typology: **Dali**

## DESCRIPTION

Series of ceiling mounted luminaires available in 4 diameters (80 mm, 270 mm, 570 mm, 970 mm), using high-output LEDs, Retrofit LEDs. Aluminium body available in different two-coloured versions: beige/white, grey/white, black/orange, black/green and black/blue. Tagora 80 and 270 offer a high-output spot light with aluminium optics. Tagora 270 uses a proprietary system based on a hybrid combined lens and reflector optic. This system helps to create defined narrow beams using high-powered LED modules of large dimensions. Tagora 570 and 970 come with a PMMA diffuser, offering a comfortable diffused light. LED versions use high-output sources. Integrated electronic power supply, dimmable or non-dimmable options, depending on the version. Only ceiling mounted installation allowed. Compliant with standard EN60598-1 and other specific standards.

**PRODUCT CODE: M248441**

## FEATURES

- Article Code: **M248441**
- Colour: **Black/Green**
- Material: **Aluminium**
- Series: **Architectural Indoor**
- design by: **S./R. Cornelissen**

## DIMENSIONS

- Height: **cm 33**
- Diameter: **cm 27**
- Cutout shape: **Rounded**
- Weight: **kg 3.7**
- Glow Wire Test: **960°**

## SOURCES INCLUDED

- Category: **Led**
- Number: **1**
- Watt: **32W**
- Color temperature (K): **3000K**
- CRI: **90**
- Color Tolerance: **MacAdam 1SDCM**
- Service Life: **L70 (6K) 50000h**



# Tagora Ceiling 270 - 32° - 3000K - Black/Green

S./R. Cornelissen



IP20  Dimmerable: 

## LUMINAIRE

- Power Supply: **220/240Vac 50/60Hz electronic ballast included**
- Watt: **32W**
- Voltage: **220V-240V**
- Delivered lumens output: **1636lm**
- CCT: **3000K**
- Efficiency: **43%**
- Efficacy: **48.11lm/W**
- CRI: **90**
- Dimmable Typology: **Dali**

## DESCRIPTION

Series of ceiling mounted luminaires available in 4 diameters (80 mm, 270 mm, 570 mm, 970 mm), using high-output LEDs, Retrofit LEDs. Aluminium body available in different two-coloured versions: beige/white, grey/white, black/orange, black/green and black/blue. Tagora 80 and 270 offer a high-output spot light with aluminium optics. Tagora 270 uses a proprietary system based on a hybrid combined lens and reflector optic. This system helps to create defined narrow beams using high-powered LED modules of large dimensions. Tagora 570 and 970 come with a PMMA diffuser, offering a comfortable diffused light. LED versions use high-output sources. Integrated electronic power supply, dimmable or non-dimmable options, depending on the version. Only ceiling mounted installation allowed. Compliant with standard EN60598-1 and other specific standards.

**PRODUCT CODE: M248641**

## FEATURES

- Article Code: **M248641**
- Colour: **Black/Green**
- Material: **Aluminium**
- Series: **Architectural Indoor**
- design by: **S./R. Cornelissen**

## DIMENSIONS

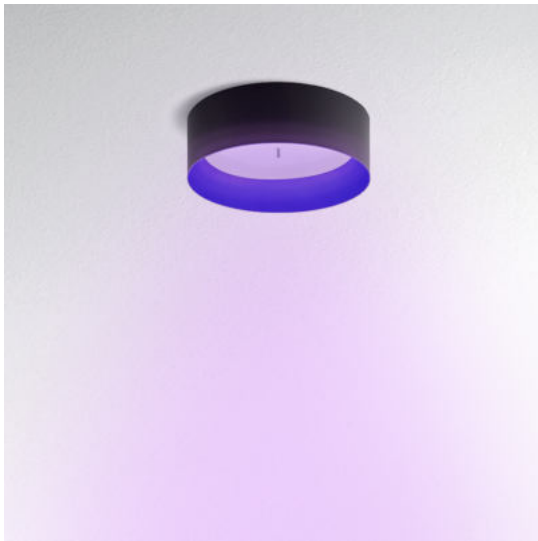
- Height: **cm 33**
- Diameter: **cm 27**
- Cutout shape: **Rounded**
- Weight: **kg 3.7**
- Glow Wire Test: **960°**

## SOURCES INCLUDED

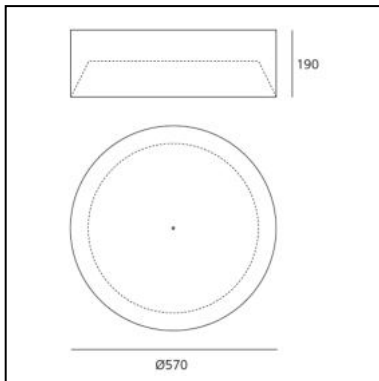
- Category: **Led**
- Number: **1**
- Watt: **32W**
- Color temperature (K): **3000K**
- CRI: **90**
- Color Tolerance: **MacAdam 1SDCM**
- Service Life: **L70 (6K) 50000h**

# Tagora Ceiling 570 - Pure Integralis - APP Compatible - Black/Blue

S./R. Cornelissen



IP20  Dimmerable: 



## LUMINAIRE

- Watt: **95W**
- Voltage: **220V-240V**
- Delivered lumens output: **3232lm**
- Radiant Flux: **3603mW**
- CCT: **3600K**
- Efficacy: **34lm/W**
- CRI: **80**
- Dimmable Typology: **APP**

- Watt: **103W**
- Voltage: **220V-240V**
- Radiant Flux: **10843mW**
- Dimmable Typology: **APP**

## Notes

## DESCRIPTION

Recessed mounted luminaires using high-output LEDs. Aluminium body available in different two-coloured versions: beige/white, grey/white, black/orange, black/green and black/blue.

Tagora 570 comes with a PMMA diffuser, offering a comfortable di used light. LED versions use high-output sources. Integrated electronic power supply, dimmable. In the version PURE INTEGRALIS, Artemide App compatible, Tagora is designed in two operating modes: Day, with white light performance for a microbial growth control, and Night, with a violet light emission for a antimicrobial action, in particular for photosensitive pathogenic bacteria.

**Available from the beginning of July 2021**

## FEATURES

- Article Code: **M248331IN2APP**
- Colour: **Black/Blue**
- Installation: **Ceiling**
- Material: **Aluminium**
- Series: **Architectural Indoor**
- design by: **S./R. Cornelissen**

## DIMENSIONS

- Height: **cm 19**
- Diameter: **cm 57**
- Cutout shape: **Rounded**
- Weight: **kg 4.9**
- Glow Wire Test: **650°**

## SOURCES INCLUDED

- Category: **Led**
- Number: **1**
- Color temperature (K): **3600K**
- CRI: **80**
- Service Life: **L70 28400h**

## PRODUCT DATA SHEET

PRODUCT CODE: M248331IN2APP

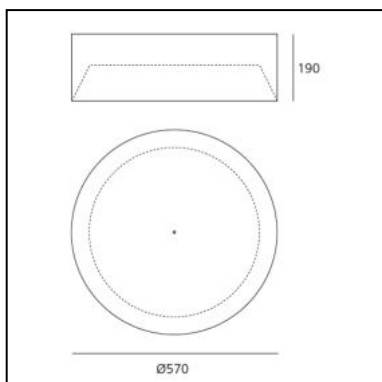
Carefully consult the instruction sheet and the product sheet of the specific code for information about the minimum installation requirements.

# Tagora Ceiling 570 - LED 3000K - Dali SwitchDim - Black/Blue

S./R. Cornelissen



IP20  Dimmerable: 



## LUMINAIRE

- Power Supply: **220/240Vac 50/60Hz electronic ballast included**
- Watt: **58W**
- Voltage: **220V-240V**
- Delivered lumens output: **3593lm**
- CCT: **3000K**
- Efficiency: **43%**
- Efficacy: **61.95lm/W**
- CRI: **80**
- Dimmable Typology: **Dali**

## DESCRIPTION

Series of ceiling mounted luminaires available in 4 diameters (80 mm, 270 mm, 570 mm, 970 mm), using high-output LEDs, Retrofit LEDs. Aluminium body available in different two-coloured versions: beige/white, grey/white, black/orange, black/green and black/blue. Tagora 80 and 270 offer a high-output spot light with aluminium optics. Tagora 270 uses a proprietary system based on a hybrid combined lens and reflector optic. This system helps to create defined narrow beams using high-powered LED modules of large dimensions. Tagora 570 and 970 come with a PMMA diffuser, offering a comfortable diffused light. LED versions use high-output sources. Integrated electronic power supply, dimmable or non-dimmable options, depending on the version. Only ceiling mounted installation allowed. Compliant with standard EN60598-1 and other specific standards.

**PRODUCT CODE: M248231**

## FEATURES

- Article Code: **M248231**
- Colour: **Black/Blue**
- Installation: **Ceiling**
- Material: **Aluminium**
- Series: **Architectural Indoor**
- design by: **S./R. Cornelissen**

## DIMENSIONS

- Height: **cm 19**
- Diameter: **cm 57**
- Cutout shape: **Rounded**
- Weight: **kg 4.9**
- Glow Wire Test: **650°**

## SOURCES INCLUDED

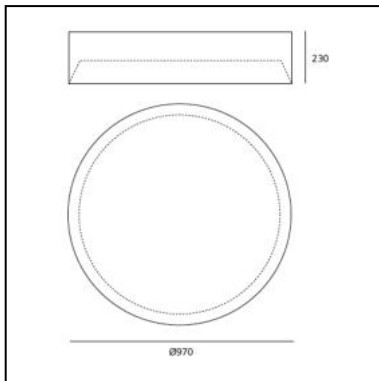
- Category: **Led**
- Number: **1**
- Watt: **58W**
- Color temperature (K): **3000K**
- CRI: **80**
- Color Tolerance: **MacAdam 3SDCM**
- Service Life: **L70 (6K) 50000h**

# Tagora Ceiling 970 - LED 3000K - Dali SwitchDim - Grey/White

S./R. Cornelissen



IP20  Dimmerable: 



## LUMINAIRE

- Power Supply: **220/240Vac 50/60Hz electronic ballast included**
- Watt: **84W**
- Voltage: **220V-240V**
- Delivered lumens output: **6425lm**
- CCT: **3000K**
- Efficiency: **54%**
- Efficacy: **76.49lm/W**
- CRI: **80**
- Dimmable Typology: **Dali**

## DESCRIPTION

Series of ceiling mounted luminaires available in 4 diameters (80 mm, 270 mm, 570 mm, 970 mm), using high-output LEDs, Retrofit LEDs. Aluminium body available in different two-coloured versions: beige/white, grey/white, black/orange, black/green and black/blue. Tagora 80 and 270 offer a high-output spot light with aluminium optics. Tagora 270 uses a proprietary system based on a hybrid combined lens and reflector optic. This system helps to create defined narrow beams using high-powered LED modules of large dimensions. Tagora 570 and 970 come with a PMMA diffuser, offering a comfortable diffused light. LED versions use high-output sources. Integrated electronic power supply, dimmable or non-dimmable options, depending on the version. Only ceiling mounted installation allowed. Compliant with standard EN60598-1 and other specific standards.

**PRODUCT CODE: M248061**

## FEATURES

- Article Code: **M248061**
- Colour: **Grey/White**
- Material: **Aluminium**
- Series: **Architectural Indoor**
- design by: **S./R. Cornelissen**

## DIMENSIONS

- Height: **cm 23**
- Diameter: **cm 97**
- Cutout shape: **Rounded**
- Weight: **kg 16.2**
- Glow Wire Test: **650°**

## SOURCES INCLUDED

- Category: **Led**
- Number: **1**
- Watt: **84W**
- Color temperature (K): **3000K**
- CRI: **80**
- Color Tolerance: **MacAdam 3SDCM**
- Service Life: **L70 (6K) 50000h**