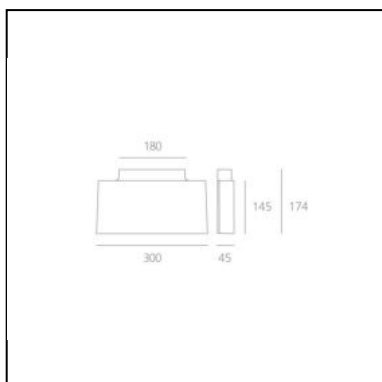


Surf Wall 300 - LED retrofit (R7s) - White

Neil Poulton



IP20   



LUMINAIRE

- Power Supply: **Electronic**
- Watt: **300W**
- Voltage: **220V-240V**
- Delivered lumens output: **3383lm**
- CCT: **2900K**
- Efficiency: **64%**
- Efficacy: **11.28lm/W**
- CRI: **100**

DESCRIPTION

A range of wall lamps with indirect lighting, using halogen, metal-halide and TC-LEL fluorescent lamps. Aluminium body with white or grey paint finish. 3 size options: 174x300mm, 290x460mm and 290x600mm. Electronic ballast. Protective glass (for halogen and metal-halide versions) or polycarbonate dust-protection screen (for 2x TC-LEL versions). Complies with standard EN60598-1 and other specific standards.

PRODUCT CODE: M060955

FEATURES

- Article Code: **M060955**
- Colour: **White**
- Installation: **Wall**
- Material: **Painted Aluminium**
- Series: **Architectural Indoor**
- Environment: **Indoor**
- Area contract: **Hospitality, null, Office, Residential**
- Emission: **Indirect**
- design by: **Neil Poulton**

DIMENSIONS

- Length: **cm 30**
- Width: **cm 17.4**
- Height: **cm 4.5**
- Weight: **kg 1**
- Glow Wire Test: **960°**

SOURCES NOT INCLUDED

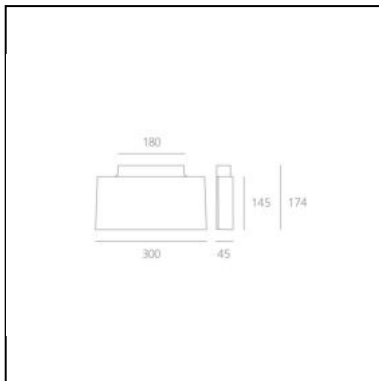
- Category: **LED RETROFIT**
- Number: **1**
- Socket: **R7s**

Surf Wall 300 - Dali SwitchDim - LED 3000K - White

Neil Poulton



IP20    Dimmerable: 



LUMINAIRE

- Power Supply: **Electronic**
- Watt: **35W**
- Voltage: **220V-240V**
- Delivered lumens output: **2931lm**
- CCT: **3000K**
- Efficiency: **85%**
- Efficacy: **83.74lm/W**
- CRI: **80**
- Dimmable Typology: **Dali**

DESCRIPTION

High-performing LED wall-mounted light fitting.
More than 3,400 lm flux installed.
High efficiency: more than 70 lumen per watt.
Available in warm white (3000K)
and neutral white (4000K) – CRI=80 (typ).
Materials: body in white or grey painted aluminium.
Non-dimmable electronic power supply
or DALI dimmable/Switchdim options.
Compliant to standard EN62471, EN60598-1
and other specific regulations.

PRODUCT CODE: M060121

FEATURES

- Article Code: **M060121**
- Colour: **White**
- Material: **Painted Aluminium**
- Series: **Architectural Indoor**
- Environment: **Indoor**
- Area contract: **Hospitality, null, Office, Residential**
- Emission: **Indirect**
- design by: **Neil Poulton**

DIMENSIONS

- Length: **cm 30**
- Width: **cm 17.4**
- Height: **cm 4.5**
- Weight: **kg 1.4**
- Glow Wire Test: **960°**

SOURCES INCLUDED

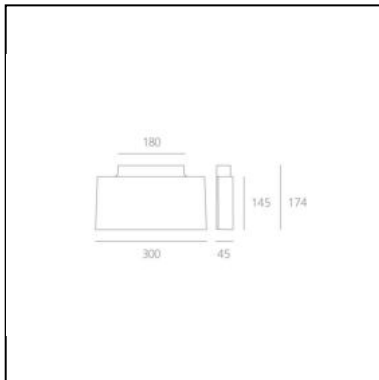
- Category: **Led**
- Number: **1**
- Watt: **31W**
- Delivered lumens output: **3433lm**
- Color temperature (K): **3000K**
- CRI: **80 typ**
- Color Tolerance: **3SDCM**
- Efficacy: **110lm/W**
- Service Life: **L70(6K)>50000h**

Surf Wall 300 - LED 3000K - White

Neil Poulton



IP20   



LUMINAIRE

- Power Supply: **Electronic**
- Watt: **35W**
- Voltage: **220V-240V**
- Delivered lumens output: **2931lm**
- CCT: **3000K**
- Efficiency: **85%**
- Efficacy: **83.74lm/W**
- CRI: **80**

DESCRIPTION

High-performing LED wall-mounted light fitting. More than 3,400 lm flux installed.
High efficiency: more than 70 lumen per watt. Available in warm white (3000K) and neutral white (4000K) - CRI=80 (typ). Materials: body in white or grey painted aluminium. Non-dimmable electronic power supply or DALI dimmable/Switchdim options.
Compliant to standard EN62471, EN60598-1 and other specific regulations.

PRODUCT CODE: M060120

FEATURES

- Article Code: **M060120**
- Colour: **White**
- Material: **Painted Aluminium**
- Series: **Architectural Indoor**
- Environment: **Indoor**
- Area contract: **Hospitality, null, Office, Residential**
- Emission: **Indirect**
- design by: **Neil Poulton**

DIMENSIONS

- Length: **cm 30**
- Width: **cm 17.4**
- Height: **cm 4.5**
- Weight: **kg 1.4**
- Glow Wire Test: **960°**

SOURCES INCLUDED

- Category: **Led**
- Number: **1**
- Watt: **31W**
- Delivered lumens output: **3433lm**
- Color temperature (K): **3000K**
- CRI: **80 typ**
- Color Tolerance: **3SDCM**
- Efficacy: **110lm/W**
- Service Life: **L70(6K)>50000h**