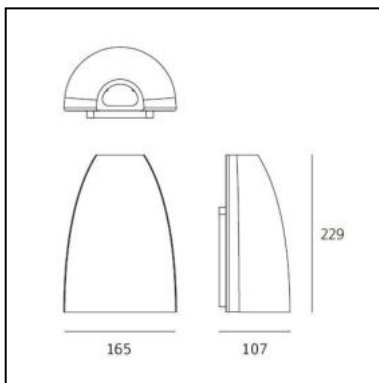


# Molla Anthracite gray

Ernesto Gismondi



IP65    



## LUMINAIRE

- Power Supply: **Electronic Integrated**
- Watt: **13W**
- Voltage: **220V-240V**
- Delivered lumens output: **407lm**
- CCT: **3000K**
- Efficiency: **100%**
- Efficacy: **31.33lm/W**

## Notes

The large beam is obtained by the combination of a monochromatic LED light source with a reflector. The narrow beam is obtained by the combination of a monochromatic LED light source with a high-performance projector.  
Effective power 14,3W.

## DESCRIPTION

Light fixture with 2 combined light beams: the large one with lighting function and the narrow one with decorative function. Wall installation: the fixture can be installed with the main beam pointed either downwards or upwards according to the kind of lighting desired (direct or indirect).

Materials: projector composed by a body in reinforced polymer and PMMA lenses, cap and terminal board in die-cast EN AB-47100 aluminium, tempered and silkscreened light-diffusing glasses with thickness of 4 mm.

**PRODUCT CODE: T4190NLW10**

## FEATURES

- Article Code: **T4190NLW10**
- Colour: **Anthracite gray**
- Installation: **Wall**
- Material: **Aluminum, composite technopolymer, methacrylate, silk screened glass**
- Series: **Architectural Outdoor**
- Environment: **Outdoor**
- Area contract: **Residential**
- design by: **Ernesto Gismondi**

## DIMENSIONS

- Length: **cm 16.3**
- Width: **cm 10.6**
- Height: **cm 22.9**

## SOURCES INCLUDED

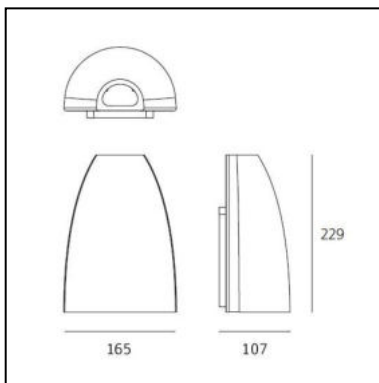
- Category: **Led**
- Number: **1**
- Watt: **3W**
- Delivered lumens output: **55lm**
- Color temperature (K): **3000K**
- CRI: **80 typ**
- Category: **Led**
- Number: **1**
- Watt: **10W**
- Delivered lumens output: **350lm**
- Color temperature (K): **3000K**
- CRI: **82**

# Molla Gray/white

Ernesto Gismondi



IP65    



## LUMINAIRE

- Power Supply: **Electronic Integrated**
- Watt: **13W**
- Voltage: **220V-240V**
- Delivered lumens output: **407lm**
- CCT: **3000K**
- Efficiency: **100%**
- Efficacy: **31.33lm/W**

## Notes

The large beam is obtained by the combination of a monochromatic LED light source with a reflector. The narrow beam is obtained by the combination of a monochromatic LED light source with a high-performance projector.  
Effective power 14,3W.

## DESCRIPTION

Light fixture with 2 combined light beams: the large one with lighting function and the narrow one with decorative function. Wall installation: the fixture can be installed with the main beam pointed either downwards or upwards according to the kind of lighting desired (direct or indirect).

Materials: projector composed by a body in reinforced polymer and PMMA lenses, cap and terminal board in die-cast EN AB-47100 aluminium, tempered and silkscreened light-diffusing glasses with thickness of 4 mm.

**PRODUCT CODE: T4190NLW00**

## FEATURES

- Article Code: **T4190NLW00**
- Colour: **Gray/white**
- Installation: **Wall**
- Material: **Aluminum, composite technopolymer, methacrylate, silk screened glass**
- Series: **Architectural Outdoor**
- Environment: **Outdoor**
- Area contract: **Residential**
- design by: **Ernesto Gismondi**

## DIMENSIONS

- Length: **cm 16.3**
- Width: **cm 10.6**
- Height: **cm 22.9**

## SOURCES INCLUDED

- Category: **Led**
- Number: **1**
- Watt: **3W**
- Delivered lumens output: **55lm**
- Color temperature (K): **3000K**
- CRI: **80 typ**
- Category: **Led**
- Number: **1**
- Watt: **10W**
- Delivered lumens output: **350lm**
- Color temperature (K): **3000K**
- CRI: **82**