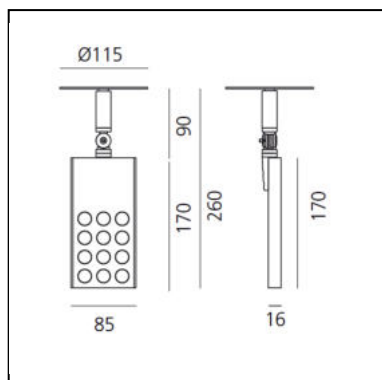


# PAD 230V Semi-recessed Switchdim - 14,5W 3000K - 12°

Carlotta de Bevilacqua



IP40   Dimmerable: 



## LUMINAIRE

- Power Supply: **Electronic dimmable (Switchdim)**
- Watt: **14.5W**
- Voltage: **220V-240V**
- Delivered lumens output: **825lm**
- CCT: **3000K**
- Efficiency: **83%**
- Efficacy: **56.9lm/W**
- CRI: **0**

## Notes

LED 13W 2x6° 3000K - Dimmerabile (Switchdim)

## DESCRIPTION

Adjustable projector for 12x1,08W high performing LED. Body made from aluminium and translucent plastic material. White LED with Warm White or Neutral White tone. Choice of 3 beam angles. Tilt angle of up to 90°, rotation of up to 358°. Integral power supply unit. Complies with standard EN60598-1 and other specific standards. Dimming control via external push-button (not provided).

**PRODUCT CODE: M200004**

## FEATURES

- Article Code: **M200004**
- Colour: **Translucent/bright anodized**
- Material: **Aluminium, plastic**
- Series: **Architectural Indoor**
- Environment: **Indoor**
- Area contract: **Retail, Culture**
- Emission: **Accent Lighting**
- design by: **Carlotta de Bevilacqua**

## DIMENSIONS

- Length: **cm 8.5**
- Width: **cm 1.6**
- Height: **cm 26**
- Cutout diameter: **cm 6.7**
- Inclination: **cm 9,090**
- Rotation: **358°**
- Cutout shape: **Rounded**
- Weight: **kg 0.7**
- Glow Wire Test: **650°**

## SOURCES INCLUDED

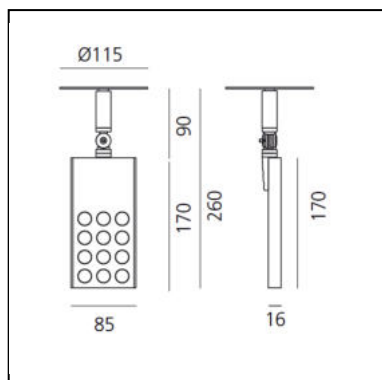
- Category: **Led**
- Number: **1**
- Watt: **12W**
- Color temperature (K): **3000K**
- CRI: **80**

# PAD 230V Semi-recessed Switchdim - 14,5W 3000K - 24°

Carlotta de Bevilacqua



IP40   Dimmerable: 



## LUMINAIRE

- Power Supply: **Electronic dimmable (Switchdim)**
- Watt: **14.5W**
- Voltage: **220V-240V**
- Delivered lumens output: **825lm**
- CCT: **3000K**
- Efficiency: **83%**
- Efficacy: **56.9lm/W**
- CRI: **0**

## DESCRIPTION

Adjustable projector for 12x1,08W high performing LED. Body made from aluminium and translucent plastic material. White LED with Warm White or Neutral White tone. Choice of 3 beam angles. Tilt angle of up to 90°, rotation of up to 358°. Integral power supply unit. Complies with standard EN60598-1 and other specific standards. Dimming control via external push-button (not provided).

**PRODUCT CODE: M200204**

## FEATURES

- Article Code: **M200204**
- Colour: **Translucent/bright anodized**
- Material: **Aluminium, plastic**
- Series: **Architectural Indoor**
- Environment: **Indoor**
- Area contract: **Retail, Culture**
- Emission: **Accent Lighting**
- design by: **Carlotta de Bevilacqua**

## DIMENSIONS

- Length: **cm 8.5**
- Width: **cm 1.6**
- Height: **cm 26**
- Cutout diameter: **cm 6.7**
- Inclination: **cm 9,090**
- Rotation: **358°**
- Cutout shape: **Rounded**
- Weight: **kg 0.7**
- Glow Wire Test: **650°**

## SOURCES INCLUDED

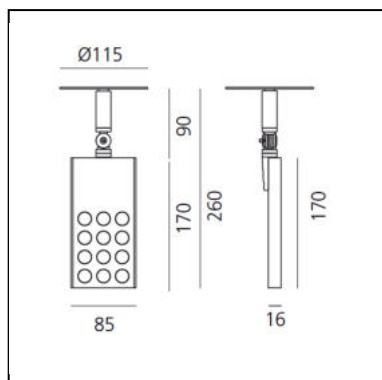
- Category: **Led**
- Number: **1**
- Watt: **12W**
- Color temperature (K): **3000K**
- CRI: **80**

# PAD 230V Semi-recessed Switchdim - 14,5W 3000K - 36°

Carlotta de Bevilacqua



IP40   Dimmerable: 



## LUMINAIRE

- Power Supply: **Electronic dimmable (Switchdim)**
- Watt: **14.5W**
- Voltage: **220V-240V**
- Delivered lumens output: **805lm**
- CCT: **3000K**
- Efficiency: **81%**
- Efficacy: **55.52lm/W**
- CRI: **0**

## Notes

LED 13W 2x19° 3000K - Dimmable (Switchdim)

## DESCRIPTION

Adjustable projector for 12x1,08W high performing LED. Body made from aluminium and translucent plastic material. White LED with Warm White or Neutral White tone. Choice of 3 beam angles. Tilt angle of up to 90°, rotation of up to 358°. Integral power supply unit. Complies with standard EN60598-1 and other specific standards. Dimming control via external push-button (not provided).

**PRODUCT CODE: M200404**

## FEATURES

- Article Code: **M200404**
- Colour: **Translucent/bright anodized**
- Material: **Aluminium, plastic**
- Series: **Architectural Indoor**
- Environment: **Indoor**
- Area contract: **Retail, Culture**
- Emission: **Accent Lighting**
- design by: **Carlotta de Bevilacqua**

## DIMENSIONS

- Length: **cm 8.5**
- Width: **cm 1.6**
- Height: **cm 26**
- Cutout diameter: **cm 6.7**
- Inclination: **cm 9,090**
- Rotation: **358°**
- Cutout shape: **Rounded**
- Weight: **kg 0.7**
- Glow Wire Test: **650°**

## SOURCES INCLUDED

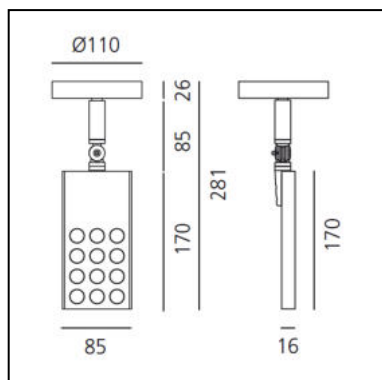
- Category: **Led**
- Number: **1**
- Watt: **12W**
- Color temperature (K): **3000K**
- CRI: **80**

# Pad 230V Ceiling Switchdim - 14,5W 3000K - 12°

Carlotta de Bevilacqua



IP40   Dimmerable: 



## LUMINAIRE

- Power Supply: **Electronic dimmable (Switchdim)**
- Watt: **14.5W**
- Voltage: **220V-240V**
- Delivered lumens output: **825lm**
- CCT: **3000K**
- Efficiency: **83%**
- Efficacy: **56.9lm/W**
- CRI: **0**

## Notes

LED 13W 2x6° 3000K - Dimmerabile (Switchdim)

## DESCRIPTION

Adjustable projector for 12x1,08W high performing LED. Body made from aluminium and translucent plastic material. White LED with Warm White or Neutral White tone. Choice of 3 beam angles. Tilt angle of up to 90°, rotation of up to 358°. Integral power supply unit. Complies with standard EN60598-1 and other specific standards. Dimming control via external push-button (not provided).

**PRODUCT CODE: M200001**

## FEATURES

- Article Code: **M200001**
- Colour: **Translucent/anodized**
- Installation: **Ceiling**
- Material: **Aluminium, plastic**
- Series: **Architectural Indoor**
- Environment: **Indoor**
- Area contract: **Retail, Culture**
- Emission: **Accent Lighting**
- design by: **Carlotta de Bevilacqua**

## DIMENSIONS

- Length: **cm 8.5**
- Width: **cm 1.6**
- Height: **cm 26**
- Inclination: **cm 9,090**
- Rotation: **358°**
- Weight: **kg 0.7**
- Glow Wire Test: **650°**

## SOURCES INCLUDED

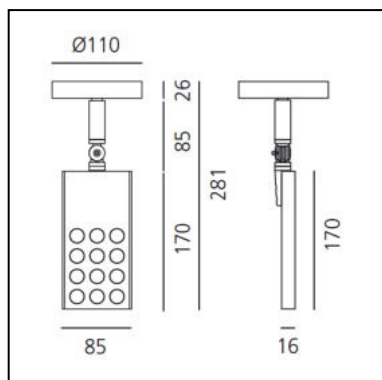
- Category: **Led**
- Number: **1**
- Watt: **12W**
- Color temperature (K): **3000K**
- CRI: **80**

# Pad 230V Ceiling Switchdim - 14,5W 3000K - 24°

Carlotta de Bevilacqua



IP40   Dimmerable: 



## LUMINAIRE

- Power Supply: **Electronic dimmable (Switchdim)**
- Watt: **14.5W**
- Voltage: **220V-240V**
- Delivered lumens output: **825lm**
- CCT: **3000K**
- Efficiency: **83%**
- Efficacy: **56.9lm/W**
- CRI: **0**

## Notes

LED 13W 2x12° 3000K - Dimmerabile (Switchdim)

## DESCRIPTION

Adjustable projector for 12x1,08W high performing LED. Body made from aluminium and translucent plastic material. White LED with Warm White or Neutral White tone. Choice of 3 beam angles. Tilt angle of up to 90°, rotation of up to 358°. Integral power supply unit. Complies with standard EN60598-1 and other specific standards. Dimming control via external push-button (not provided).

**PRODUCT CODE: M200201**

## FEATURES

- Article Code: **M200201**
- Colour: **Translucent/anodized**
- Installation: **Ceiling**
- Material: **Aluminium, plastic**
- Series: **Architectural Indoor**
- Environment: **Indoor**
- Area contract: **Retail, Culture**
- Emission: **Accent Lighting**
- design by: **Carlotta de Bevilacqua**

## DIMENSIONS

- Length: **cm 8.5**
- Width: **cm 1.6**
- Height: **cm 26**
- Inclination: **cm 9,090**
- Rotation: **358°**
- Weight: **kg 0.7**
- Glow Wire Test: **650°**

## SOURCES INCLUDED

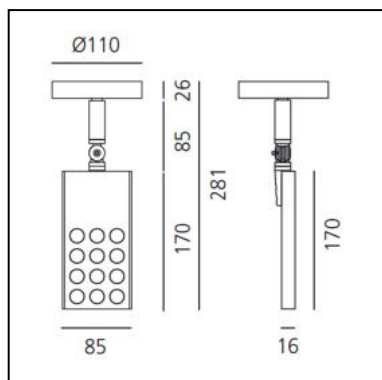
- Category: **Led**
- Number: **1**
- Watt: **12W**
- Color temperature (K): **3000K**
- CRI: **80**

# Pad 230V Ceiling Switchdim - 14,5W 3000K - 36°

Carlotta de Bevilacqua



IP40   Dimmerable: 



## LUMINAIRE

- Power Supply: **Electronic dimmable (Switchdim)**
- Watt: **14.5W**
- Voltage: **220V-240V**
- Delivered lumens output: **805lm**
- CCT: **3000K**
- Efficiency: **81%**
- Efficacy: **55.52lm/W**
- CRI: **0**

## Notes

LED 13W 2x19° 3000K - Dimmerabile (Switchdim)

## DESCRIPTION

Adjustable projector for 12x1,08W high performing LED. Body made from aluminium and translucent plastic material. White LED with Warm White or Neutral White tone. Choice of 3 beam angles. Tilt angle of up to 90°, rotation of up to 358°. Integral power supply unit. Complies with standard EN60598-1 and other specific standards. Dimming control via external push-button (not provided).

**PRODUCT CODE: M200401**

## FEATURES

- Article Code: **M200401**
- Colour: **Translucent/anodized**
- Installation: **Ceiling**
- Material: **Aluminium, plastic**
- Series: **Architectural Indoor**
- Environment: **Indoor**
- Area contract: **Retail, Culture**
- Emission: **Accent Lighting**
- design by: **Carlotta de Bevilacqua**

## DIMENSIONS

- Length: **cm 8.5**
- Width: **cm 1.6**
- Height: **cm 26**
- Inclination: **cm 9,090**
- Rotation: **358°**
- Weight: **kg 0.7**
- Glow Wire Test: **650°**

## SOURCES INCLUDED

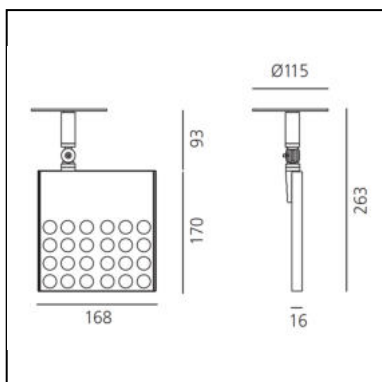
- Category: **Led**
- Number: **1**
- Watt: **12W**
- Color temperature (K): **3000K**
- CRI: **80**

# Pad Square Semi-recessed - 29W 3000K - 12°

Carlotta de Bevilacqua



IP40  



## LUMINAIRE

- Transformer availability: **Included (non dimmable)**
- Watt: **29W**
- Voltage: **230-240V**
- Delivered lumens output: **1650lm**
- CCT: **3000K**
- Efficiency: **83%**
- Efficacy: **56.9lm/W**
- CRI: **0**

## Notes

LED 26W 2x6° 3000K

## DESCRIPTION

An extension of the PAD (POÈME DE L'ANGLE DROIT) concept, PAD SQUARE houses an array of 24 LEDs (26W in total) placed on the aluminium body that acts as heat dissipator. The special, patented electrical system houses the power supply within the shell, and allows a direct connection to the electrical network. A translucent cover in polycarbonat closes off the body. It acts as a support for the various lenses, ensures protection for the electrical parts and provides a diffused lighting effect. Rotation of up to 358°, tilt angle of up to 180°. 4 installation options: with adaptor for 3-circuit track, with gear plate for mounting within Algoritmo product range, wall/ceiling mounted version, or base plate for semi-recessed mounting. Complies with EN60598-1 and other specific standards.

**PRODUCT CODE: M201504**

## FEATURES

- Article Code: **M201504**
- Colour: **translucent/anodized**
- Material: **Aluminium, Polycarbonat**
- Series: **Architectural Indoor**
- Area contract: **Retail, Culture**
- Emission: **Accent lighting**
- design by: **Carlotta de Bevilacqua**

## DIMENSIONS

- Length: **cm 16.8**
- Width: **cm 1.6**
- Height: **cm 26.3**
- Depth: **cm 1.6**
- Inclination: **cm 9,090**
- Rotation: **358°**
- Weight: **kg 1**
- Glow Wire Test: **650°**

## SOURCES INCLUDED

- Category: **Led**
- Number: **1**
- Watt: **24W**
- Delivered lumens output: **1988lm**
- Color temperature (K): **3000K**
- CRI: **=80(typ.)**
- Color Tolerance: **4SDCM**
- Efficacy: **83lm/W**
- Service Life: **L70(14K)>81600h**

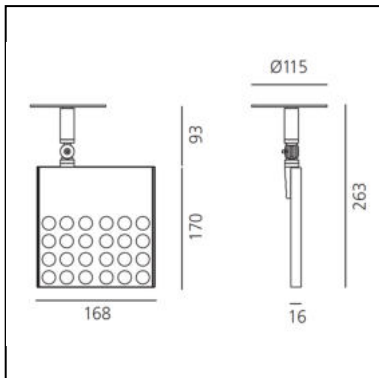


# Pad Square Semi-recessed - 29W 3000K - 24°

Carlotta de Bevilacqua



IP40  



## LUMINAIRE

- Transformer availability: **Included (non dimmable)**
- Watt: **29W**
- Voltage: **230-240V**
- Delivered lumens output: **1650lm**
- CCT: **3000K**
- Efficiency: **83%**
- Efficacy: **56.9lm/W**
- CRI: **0**

## Notes

LED 26W 2x12° 3000K

## DESCRIPTION

An extension of the PAD (POÈME DE L'ANGLE DROIT) concept, PAD SQUARE houses an array of 24 LEDs (26W in total) placed on the aluminium body that acts as heat dissipator. The special, patented electrical system houses the power supply within the shell, and allows a direct connection to the electrical network. A translucent cover in polycarbonate closes off the body. It acts as a support for the various lenses, ensures protection for the electrical parts and provides a diffused lighting effect. Rotation of up to 358°, tilt angle of up to 180°. 4 installation options: with adaptor for 3-circuit track, with gear plate for mounting within Algoritmo product range, wall/ceiling mounted version, or base plate for semi-recessed mounting. Complies with EN60598-1 and other specific standards.

**PRODUCT CODE: M201704**

## FEATURES

- Article Code: **M201704**
- Colour: **translucent/anodized**
- Material: **Aluminium, Polycarbonat**
- Series: **Architectural Indoor**
- Area contract: **Retail, Culture**
- Emission: **Accent lighting**
- design by: **Carlotta de Bevilacqua**

## DIMENSIONS

- Length: **cm 16.8**
- Width: **cm 1.6**
- Height: **cm 26.3**
- Depth: **cm 1.6**
- Inclination: **cm 9,090**
- Rotation: **358°**
- Weight: **kg 1**
- Glow Wire Test: **650°**

## SOURCES INCLUDED

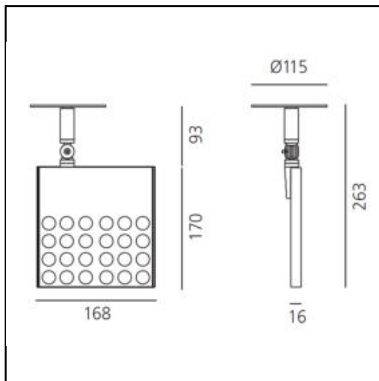
- Category: **Led**
- Number: **1**
- Watt: **24W**
- Delivered lumens output: **1988lm**
- Color temperature (K): **3000K**
- CRI: **=80(typ.)**
- Color Tolerance: **4SDCM**
- Efficacy: **83lm/W**
- Service Life: **L70(14K)>81600h**

# Pad Square Semi-recessed - 29W 3000K - 36°

Carlotta de Bevilacqua



IP40  



## LUMINAIRE

- Transformer availability: **Included (non dimmable)**
- Watt: **29W**
- Voltage: **230-240V**
- Delivered lumens output: **1610lm**
- CCT: **3000K**
- Efficiency: **81%**
- Efficacy: **55.52lm/W**
- CRI: **0**

## Notes

LED 26W 2x19° 3000K

## DESCRIPTION

An extension of the PAD (POÈME DE L'ANGLE DROIT) concept, PAD SQUARE houses an array of 24 LEDs (26W in total) placed on the aluminium body that acts as heat dissipator. The special, patented electrical system houses the power supply within the shell, and allows a direct connection to the electrical network. A translucent cover in polycarbonate closes off the body. It acts as a support for the various lenses, ensures protection for the electrical parts and provides a diffused lighting effect. Rotation of up to 358°, tilt angle of up to 180°. 4 installation options: with adaptor for 3-circuit track, with gear plate for mounting within Algoritmo product range, wall/ceiling mounted version, or base plate for semi-recessed mounting. Complies with EN60598-1 and other specific standards.

**PRODUCT CODE: M201904**

## FEATURES

- Article Code: **M201904**
- Colour: **translucent/anodized**
- Material: **Aluminium, Polycarbonat**
- Series: **Architectural Indoor**
- Area contract: **Retail, Culture**
- Emission: **Accent lighting**
- design by: **Carlotta de Bevilacqua**

## DIMENSIONS

- Length: **cm 16.8**
- Width: **cm 1.6**
- Height: **cm 26.3**
- Depth: **cm 1.6**
- Inclination: **cm 9,090**
- Rotation: **358°**
- Weight: **kg 1**
- Glow Wire Test: **650°**

## SOURCES INCLUDED

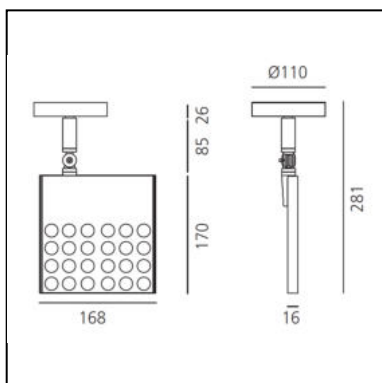
- Category: **Led**
- Number: **1**
- Watt: **24W**
- Delivered lumens output: **1988lm**
- Color temperature (K): **3000K**
- CRI: **=80(typ.)**
- Color Tolerance: **4SDCM**
- Efficacy: **83lm/W**
- Service Life: **L70(14K)>81600h**

# Pad Square Ceiling - 29W 3000K - 12°

Carlotta de Bevilacqua



IP40  



## LUMINAIRE

- Transformer availability: **Included (non dimmable)**
- Watt: **29W**
- Voltage: **230-240V**
- Delivered lumens output: **1650lm**
- CCT: **3000K**
- Efficiency: **83%**
- Efficacy: **56.9lm/W**
- CRI: **0**

## Notes

LED 26W 2x6° 3000K

## DESCRIPTION

An extension of the PAD (POÈME DE L'ANGLE DROIT) concept, PAD SQUARE houses an array of 24 LEDs (26W in total) placed on the aluminium body that acts as heat dissipator. The special, patented electrical system houses the power supply within the shell, and allows a direct connection to the electrical network. A translucent cover in polycarbonate closes off the body. It acts as a support for the various lenses, ensures protection for the electrical parts and provides a diffused lighting effect. Rotation of up to 358°, tilt angle of up to 180°. 4 installation options: with adaptor for 3-circuit track, with gear plate for mounting within Algoritmo product range, wall/ceiling mounted version, or base plate for semi-recessed mounting. Complies with EN60598-1 and other specific standards.

**PRODUCT CODE: M201501**

## FEATURES

- Article Code: **M201501**
- Colour: **Translucent/anodized**
- Material: **Aluminium, Polycarbonat**
- Series: **Architectural Indoor**
- Area contract: **Retail, Culture**
- Emission: **Accent lighting**
- design by: **Carlotta de Bevilacqua**

## DIMENSIONS

- Length: **cm 16.8**
- Width: **cm 1.6**
- Height: **cm 28.1**
- Depth: **cm 1.6**
- Inclination: **cm 9,090**
- Rotation: **358°**
- Weight: **kg 1**
- Glow Wire Test: **650°**

## SOURCES INCLUDED

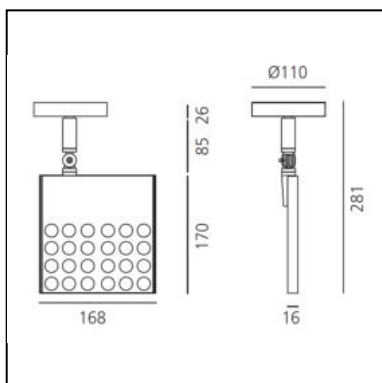
- Category: **Led**
- Number: **1**
- Watt: **24W**
- Delivered lumens output: **1988lm**
- Color temperature (K): **3000K**
- CRI: **=80(typ.)**
- Color Tolerance: **4SDCM**
- Efficacy: **83lm/W**
- Service Life: **L70(14K)>81600h**

# Pad Square Ceiling - 29W 4000K - 24°

Carlotta de Bevilacqua



IP40  



## LUMINAIRE

- Transformer availability: **Included (non dimmable)**
- Watt: **29W**
- Voltage: **230-240V**
- Delivered lumens output: **1760lm**
- CCT: **4000K**
- Efficiency: **83%**
- Efficacy: **60.69lm/W**
- CRI: **0**

## Notes

LED 26W 2x12° 4000K

## DESCRIPTION

An extension of the PAD (POÈME DE L'ANGLE DROIT) concept, PAD SQUARE houses an array of 24 LEDs (26W in total) placed on the aluminium body that acts as heat dissipator. The special, patented electrical system houses the power supply within the shell, and allows a direct connection to the electrical network. A translucent cover in polycarbonate closes off the body. It acts as a support for the various lenses, ensures protection for the electrical parts and provides a diffused lighting effect. Rotation of up to 358°, tilt angle of up to 180°. 4 installation options: with adaptor for 3-circuit track, with gear plate for mounting within Algoritmo product range, wall/ceiling mounted version, or base plate for semi-recessed mounting. Complies with EN60598-1 and other specific standards.

**PRODUCT CODE: M201801**

## FEATURES

- Article Code: **M201801**
- Colour: **translucent/anodized**
- Material: **Aluminium, Polycarbonat**
- Series: **Architectural Indoor**
- Area contract: **Retail, Culture**
- Emission: **Accent lighting**
- design by: **Carlotta de Bevilacqua**

## DIMENSIONS

- Length: **cm 16.8**
- Width: **cm 1.6**
- Height: **cm 28.1**
- Depth: **cm 1.6**
- Inclination: **cm 9,090**
- Rotation: **358°**
- Weight: **kg 1**
- Glow Wire Test: **650°**

## SOURCES INCLUDED

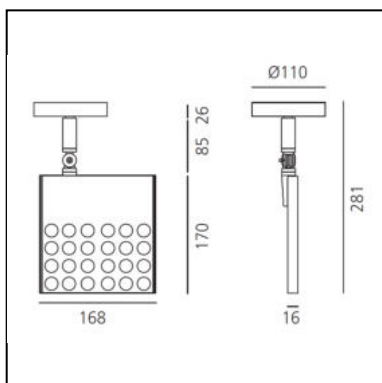
- Category: **Led**
- Number: **1**
- Watt: **24W**
- Delivered lumens output: **2120lm**
- Color temperature (K): **4000K**
- CRI: **=80(typ.)**
- Color Tolerance: **4SDCM**
- Efficacy: **88lm/W**
- Service Life: **L70(14K)>81600h**

# Pad Square Ceiling - 29W 4000K - 36°

Carlotta de Bevilacqua



IP40  



## LUMINAIRE

- Transformer availability: **Included (non dimmable)**
- Watt: **29W**
- Voltage: **230-240V**
- Delivered lumens output: **1710lm**
- CCT: **4000K**
- Efficiency: **81%**
- Efficacy: **58.97lm/W**
- CRI: **0**

## Notes

LED 26W 2x19° 4000K

## DESCRIPTION

An extension of the PAD (POÈME DE L'ANGLE DROIT) concept, PAD SQUARE houses an array of 24 LEDs (26W in total) placed on the aluminium body that acts as heat dissipator. The special, patented electrical system houses the power supply within the shell, and allows a direct connection to the electrical network. A translucent cover in polycarbonate closes off the body. It acts as a support for the various lenses, ensures protection for the electrical parts and provides a diffused lighting effect. Rotation of up to 358°, tilt angle of up to 180°. 4 installation options: with adaptor for 3-circuit track, with gear plate for mounting within Algoritmo product range, wall/ceiling mounted version, or base plate for semi-recessed mounting. Complies with EN60598-1 and other specific standards.

**PRODUCT CODE: M202001**

## FEATURES

- Article Code: **M202001**
- Colour: **translucent/anodized**
- Material: **Aluminium, Polycarbonat**
- Series: **Architectural Indoor**
- Area contract: **Retail, Culture**
- Emission: **Accent lighting**
- design by: **Carlotta de Bevilacqua**

## DIMENSIONS

- Length: **cm 16.8**
- Width: **cm 1.6**
- Height: **cm 28.1**
- Depth: **cm 1.6**
- Inclination: **cm 9,090**
- Rotation: **358°**
- Weight: **kg 1**
- Glow Wire Test: **650°**

## SOURCES INCLUDED

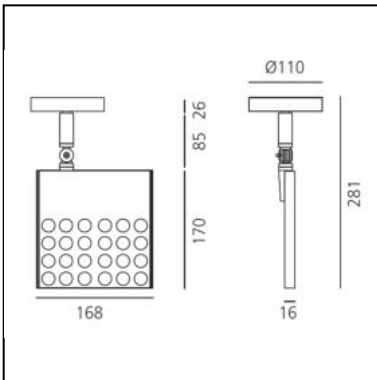
- Category: **Led**
- Number: **1**
- Watt: **24W**
- Delivered lumens output: **2120lm**
- Color temperature (K): **4000K**
- CRI: **=80(typ.)**
- Color Tolerance: **4SDCM**
- Efficacy: **88lm/W**
- Service Life: **L70(14K)>81600h**

# Pad Square Ceiling - LED 2x12° 3000K

Carlotta de Bevilacqua



IP40  



## LUMINAIRE

- Transformer availability: **Included (non dimmable)**
- Watt: **29W**
- Voltage: **230-240V**
- Delivered lumens output: **1650lm**
- CCT: **3000K**
- Efficiency: **83%**
- Efficacy: **56.9lm/W**
- CRI: **0**

## Notes

LED 26W 2x12° 3000K

## DESCRIPTION

An extension of the PAD (POÈME DE L'ANGLE DROIT) concept, PAD SQUARE houses an array of 24 LEDs (26W in total) placed on the aluminium body that acts as heat dissipator. The special, patented electrical system houses the power supply within the shell, and allows a direct connection to the electrical network. A translucent cover in polycarbonate closes off the body. It acts as a support for the various lenses, ensures protection for the electrical parts and provides a diffused lighting effect. Rotation of up to 358°, tilt angle of up to 180°. 4 installation options: with adaptor for 3-circuit track, with gear plate for mounting within Algoritmo product range, wall/ceiling mounted version, or base plate for semi-recessed mounting. Complies with EN60598-1 and other specific standards.

**PRODUCT CODE: M201701**

## FEATURES

- Article Code: **M201701**
- Colour: **translucent/anodized**
- Material: **Aluminium, Polycarbonat**
- Series: **Architectural Indoor**
- Area contract: **Retail, Culture**
- Emission: **Accent lighting**
- design by: **Carlotta de Bevilacqua**

## DIMENSIONS

- Length: **cm 16.8**
- Width: **cm 1.6**
- Height: **cm 28.1**
- Depth: **cm 1.6**
- Inclination: **cm 9,090**
- Rotation: **358°**
- Weight: **kg 1**
- Glow Wire Test: **650°**

## SOURCES INCLUDED

- Category: **Led**
- Number: **1**
- Watt: **24W**
- Delivered lumens output: **1988lm**
- Color temperature (K): **3000K**
- CRI: **=80(typ.)**
- Color Tolerance: **4SDCM**
- Efficacy: **83lm/W**
- Service Life: **L70(14K)>81600h**