
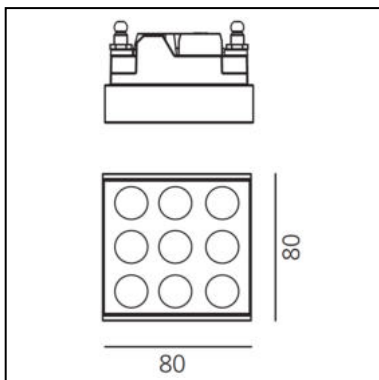


Pad 80 With fixed lenses - Gloss anodized - 9,5W 3000K - 12°

Carlotta de Bevilacqua



IP44 



LUMINAIRE

- Watt: **9.5W**
- Voltage: **12V**
- Delivered lumens output: **710lm**
- CCT: **3000K**
- Efficiency: **86%**
- Efficacy: **74.74lm/W**
- CRI: **80**

Notes

Optic Unit 1 - Undimmable: M074600
Optic Unit 2 - Undimmable: DV1058
Optic Unit 2x2 - Undimmable: DV1058 (x2)
Optic Unit 3 - Undimmable: M076400
Optic Unit 1/2 - Dimmable DALI: DV1003
Optic Unit 3 - Dimmable DALI: M076600
Optic Unit 2x2 - Dimmable DALI: DV1003 (x2)

DESCRIPTION

Efficient, clear accent lighting, fixed and adjustable. 3 beam angles: 2x6°, 2x12°, 2x19°. Diffused ambient lighting (in fixed version). 2 colour temperatures: warm white (3000K) and neutral white (4000K) - CRI=80 (min.). Excellent lighting efficiency > 70lm/W. High adjustability: 360° rotation, +90°/-90° tilt angle. Fixed version available as IP44. Easy installation of light modules, no tools required. Lighting units available in 3 finishes: gloss aluminium, painted white, painted black. Structural elements of recessed-mounted version available in 3 sizes, for use with 1, 2, 3 and 2x2 modules. 3 compatible finishes (polished aluminium, white, and black). Housing of ceiling-mounted version available in 3 sizes (1, 2, 3 lighting units), and 3 compatible finishes (polished aluminium, white and black). Recessed-mounted version available as trimless or framed. Materials: body in anodized extruded aluminium, diffuser in opal polycarbonate. Complies with standard EN60598-1 and other specific standards.

PRODUCT CODE: M245060

FEATURES

- Article Code: **M245060**
- Colour: **Gloss anodized**
- Material: **Aluminium**
- Series: **Architectural Indoor**
- Area contract: **Hospitality, null, Retail, Culture**
- design by: **Carlotta de Bevilacqua**

DIMENSIONS

- Length: **cm 8**
- Width: **cm 8**
- Height: **cm 2.5**
- Weight: **kg 0.3**
- Glow Wire Test: **650°**

SOURCES INCLUDED

- Category: **Led**
- Number: **1**
- Watt: **9W**
- Delivered lumens output: **851lm**
- Color temperature (K): **3000K**
- CRI: **=80 (min.)**
- Color Tolerance: **MacAdam 4SDCM**
- Efficacy: **95lm/W**
- Service Life: **L70(6K) > 60500h**

Accessories

NO
IMAGE
AVAILABLE

Driver 20-25W - 220-240Vac - 164x38x25
(LxWxH) - Dimmable DALI/PUSH DV1003



Driver 19W 350mA SELV. - 220-240Vac -
Undimmable M074600

NO
IMAGE
AVAILABLE

20W 350mA SELV. - 220-240Vac - Undimmable
DV1058

NO
IMAGE
AVAILABLE

35W 350mA SELV. 120 - 220-240Vac - Undimmable
M076400

NO
IMAGE
AVAILABLE

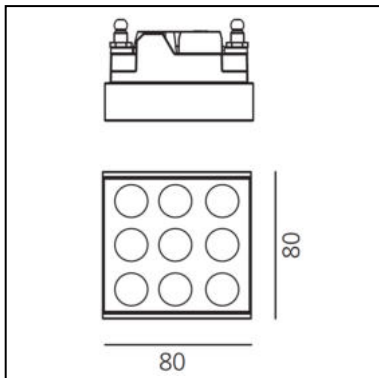
35W 350mA SELV. 120 - 220-240Vac - Dimmable
DALI M076600

Pad 80 With fixed lenses - Gloss anodized - 9,5W 3000K - 24°

Carlotta de Bevilacqua



IP44 



LUMINAIRE

- Watt: **9.5W**
- Voltage: **12V**
- Delivered lumens output: **610lm**
- CCT: **3000K**
- Efficiency: **73%**
- Efficacy: **64.21lm/W**
- CRI: **80**

Notes

Optic Unit 1 - Undimmable: M074600
Optic Unit 2 - Undimmable: DV1058
Optic Unit 2x2 - Undimmable: DV1058 (x2)
Optic Unit 3 - Undimmable: M076400
Optic Unit 1/2 - Dimmable DALI: DV1003
Optic Unit 3 - Dimmable DALI: M076600
Optic Unit 2x2 - Dimmable DALI: DV1003 (x2)

DESCRIPTION

Efficient, clear accent lighting, fixed and adjustable. 3 beam angles: 2x6°, 2x12°, 2x19°. Diffused ambient lighting (in fixed version). 2 colour temperatures: warm white (3000K) and neutral white (4000K) - CRI=80 (min.). Excellent lighting efficiency > 70lm/W. High adjustability: 360° rotation, +90°/-90° tilt angle. Fixed version available as IP44. Easy installation of light modules, no tools required. Lighting units available in 3 finishes: gloss aluminium, painted white, painted black. Structural elements of recessed-mounted version available in 3 sizes, for use with 1, 2, 3 and 2x2 modules. 3 compatible finishes (polished aluminium, white, and black). Housing of ceiling-mounted version available in 3 sizes (1, 2, 3 lighting units), and 3 compatible finishes (polished aluminium, white and black). Recessed-mounted version available as trimless or framed. Materials: body in anodized extruded aluminium, diffuser in opal polycarbonate. Complies with standard EN60598-1 and other specific standards.

PRODUCT CODE: M245160

FEATURES

- Article Code: **M245160**
- Colour: **Gloss anodized**
- Material: **Aluminium**
- Series: **Architectural Indoor**
- Area contract: **Hospitality, null, Retail, Culture**
- design by: **Carlotta de Bevilacqua**

DIMENSIONS

- Length: **cm 8**
- Width: **cm 8**
- Height: **cm 2.5**
- Weight: **kg 0.3**
- Glow Wire Test: **650°**

SOURCES INCLUDED

- Category: **Led**
- Number: **1**
- Watt: **9W**
- Delivered lumens output: **851lm**
- Color temperature (K): **3000K**
- CRI: **=80 (min.)**
- Color Tolerance: **MacAdam 4SDCM**
- Efficacy: **95lm/W**
- Service Life: **L70(6K) > 60500h**

Accessories

NO
IMAGE
AVAILABLE

Driver 20-25W - 220-240Vac - 164x38x25
(LxWxH) - Dimmable DALI/PUSH DV1003



Driver 19W 350mA SELV. - 220-240Vac -
Undimmable M074600

NO
IMAGE
AVAILABLE

20W 350mA SELV. - 220-240Vac - Undimmable
DV1058

NO
IMAGE
AVAILABLE

35W 350mA SELV. 120 - 220-240Vac - Undimmable
M076400

NO
IMAGE
AVAILABLE

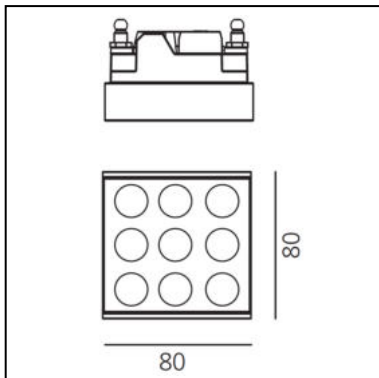
35W 350mA SELV. 120 - 220-240Vac - Dimmable
DALI M076600

Pad 80 With fixed lenses - Gloss anodized - 9,5W 3000K - 40°

Carlotta de Bevilacqua



IP44 



LUMINAIRE

- Watt: **9.5W**
- Voltage: **12V**
- Delivered lumens output: **645lm**
- CCT: **3000K**
- Efficiency: **78%**
- Efficacy: **67.89lm/W**
- CRI: **80**

Notes

Optic Unit 1 - Undimmable: M074600
Optic Unit 2 - Undimmable: DV1058
Optic Unit 2x2 - Undimmable: DV1058 (x2)
Optic Unit 3 - Undimmable: M076400
Optic Unit 1/2 - Dimmable DALI: DV1003
Optic Unit 3 - Dimmable DALI: M076600
Optic Unit 2x2 - Dimmable DALI: DV1003 (x2)

DESCRIPTION

Efficient, clear accent lighting, fixed and adjustable. 3 beam angles: 2x6°, 2x12°, 2x19°. Diffused ambient lighting (in fixed version). 2 colour temperatures: warm white (3000K) and neutral white (4000K) - CRI=80 (min.). Excellent lighting efficiency > 70lm/W. High adjustability: 360° rotation, +90°/-90° tilt angle. Fixed version available as IP44. Easy installation of light modules, no tools required. Lighting units available in 3 finishes: gloss aluminium, painted white, painted black. Structural elements of recessed-mounted version available in 3 sizes, for use with 1, 2, 3 and 2x2 modules. 3 compatible finishes (polished aluminium, white, and black). Housing of ceiling-mounted version available in 3 sizes (1, 2, 3 lighting units), and 3 compatible finishes (polished aluminium, white and black). Recessed-mounted version available as trimless or framed. Materials: body in anodized extruded aluminium, diffuser in opal polycarbonate. Complies with standard EN60598-1 and other specific standards.

PRODUCT CODE: M245260

FEATURES

- Article Code: **M245260**
- Colour: **Gloss anodized**
- Material: **Aluminium**
- Series: **Architectural Indoor**
- Area contract: **Hospitality, null, Retail, Culture**
- design by: **Carlotta de Bevilacqua**

DIMENSIONS

- Length: **cm 8**
- Width: **cm 8**
- Height: **cm 2.5**
- Weight: **kg 0.3**
- Glow Wire Test: **650°**

SOURCES INCLUDED

- Category: **Led**
- Number: **1**
- Watt: **9W**
- Delivered lumens output: **851lm**
- Color temperature (K): **3000K**
- CRI: **=80 (min.)**
- Color Tolerance: **MacAdam 4SDCM**
- Efficacy: **95lm/W**
- Service Life: **L70(6K) > 60500h**

Accessories

NO
IMAGE
AVAILABLE

Driver 20-25W - 220-240Vac - 164x38x25
(LxWxH) - Dimmable DALI/PUSH DV1003



Driver 19W 350mA SELV. - 220-240Vac -
Undimmable M074600

NO
IMAGE
AVAILABLE

20W 350mA SELV. - 220-240Vac - Undimmable
DV1058

NO
IMAGE
AVAILABLE

35W 350mA SELV. 120 - 220-240Vac - Undimmable
M076400


NO
IMAGE
AVAILABLE

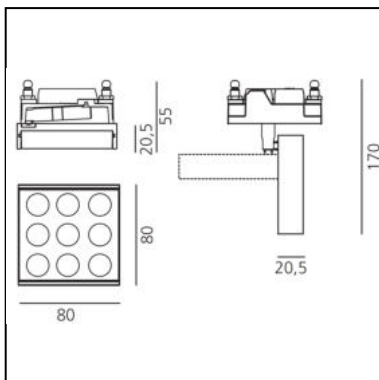
35W 350mA SELV. 120 - 220-240Vac - Dimmable
DALI M076600

Pad 80 With adjustable lenses - Gloss anodized - 9,5W 3000K - 12°

Carlotta de Bevilacqua



IP44 



LUMINAIRE

- Watt: **9.5W**
- Voltage: **12V**
- Delivered lumens output: **710lm**
- CCT: **3000K**
- Efficiency: **86%**
- Efficacy: **74.74lm/W**
- CRI: **80**

Notes

Optic Unit 1 - Undimmable: M074600
Optic Unit 2 - Undimmable: DV1058
Optic Unit 2x2 - Undimmable: DV1058 (x2)
Optic Unit 3 - Undimmable: M076400
Optic Unit 1/2 - Dimmable DALI: DV1003
Optic Unit 3 - Dimmable DALI: M076600
Optic Unit 2x2 - Dimmable DALI: DV1003 (x2)

DESCRIPTION

Efficient, clear accent lighting, fixed and adjustable. 3 beam angles: 2x6°, 2x12°, 2x19°. Diffused ambient lighting (in fixed version). 2 colour temperatures: warm white (3000K) and neutral white (4000K) - CRI=80 (min.). Excellent lighting efficiency > 70lm/W. High adjustability: 360° rotation, +90°/-90° tilt angle. Fixed version available as IP44. Easy installation of light modules, no tools required. Lighting units available in 3 finishes: gloss aluminium, painted white, painted black. Structural elements of recessed-mounted version available in 3 sizes, for use with 1, 2, 3 and 2x2 modules. 3 compatible finishes (polished aluminium, white, and black). Housing of ceiling-mounted version available in 3 sizes (1, 2, 3 lighting units), and 3 compatible finishes (polished aluminium, white and black). Recessed-mounted version available as trimless or framed. Materials: body in anodized extruded aluminium, diffuser in opal polycarbonate. Complies with standard EN60598-1 and other specific standards.

PRODUCT CODE: M245860

FEATURES

- Article Code: **M245860**
- Colour: **Gloss anodized**
- Material: **Aluminium**
- Series: **Architectural Indoor**
- Area contract: **Hospitality, null, Retail, Culture**
- design by: **Carlotta de Bevilacqua**

DIMENSIONS

- Length: **cm 8**
- Width: **cm 8**
- Height: **cm 17**
- Recessed depth: **cm 3.4**
- Inclination: **cm 90**
- Rotation: **355°**
- Cutout shape: **Squared**
- Weight: **kg 0.4**
- Glow Wire Test: **650°**
- Hole in false ceiling: **80x80 mm**

SOURCES INCLUDED

- Category: **Led**
- Number: **1**
- Watt: **9W**
- Delivered lumens output: **851lm**
- Color temperature (K): **3000K**
- CRI: **=80 (min.)**
- Color Tolerance: **MacAdam 4SDCM**
- Efficacy: **95lm/W**
- Service Life: **L70(6K) > 60500h**

Accessories

NO
IMAGE
AVAILABLE

Driver 20-25W - 220-240Vac - 164x38x25
(LxWxH) - Dimmable DALI/PUSH DV1003



Driver 19W 350mA SELV. - 220-240Vac -
Undimmable M074600

NO
IMAGE
AVAILABLE

20W 350mA SELV. - 220-240Vac - Undimmable
DV1058

NO
IMAGE
AVAILABLE

35W 350mA SELV. 120 - 220-240Vac - Undimmable
M076400


NO
IMAGE
AVAILABLE

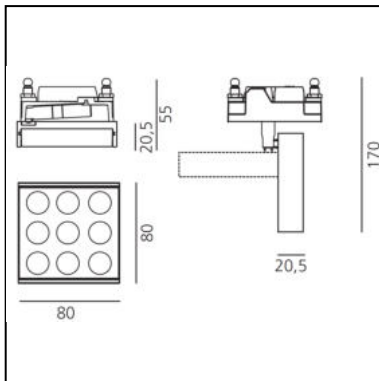
35W 350mA SELV. 120 - 220-240Vac - Dimmable
DALI M076600

Pad 80 With adjustable lenses - Gloss anodized - 9,5W 3000K - 24°

Carlotta de Bevilacqua



IP44 



LUMINAIRE

- Watt: **9.5W**
- Voltage: **12V**
- Delivered lumens output: **610lm**
- CCT: **3000K**
- Efficiency: **73%**
- Efficacy: **64.21lm/W**
- CRI: **80**

Notes

Optic Unit 1 - Undimmable: M074600
Optic Unit 2 - Undimmable: DV1058
Optic Unit 2x2 - Undimmable: DV1058 (x2)
Optic Unit 3 - Undimmable: M076400
Optic Unit 1/2 - Dimmable DALI: DV1003
Optic Unit 3 - Dimmable DALI: M076600
Optic Unit 2x2 - Dimmable DALI: DV1003 (x2)

DESCRIPTION

Efficient, clear accent lighting, fixed and adjustable. 3 beam angles: 2x6°, 2x12°, 2x19°. Diffused ambient lighting (in fixed version). 2 colour temperatures: warm white (3000K) and neutral white (4000K) - CRI=80 (min.). Excellent lighting efficiency > 70lm/W. High adjustability: 360° rotation, +90°/-90° tilt angle. Fixed version available as IP44. Easy installation of light modules, no tools required. Lighting units available in 3 finishes: gloss aluminium, painted white, painted black. Structural elements of recessed-mounted version available in 3 sizes, for use with 1, 2, 3 and 2x2 modules. 3 compatible finishes (polished aluminium, white, and black). Housing of ceiling-mounted version available in 3 sizes (1, 2, 3 lighting units), and 3 compatible finishes (polished aluminium, white and black). Recessed-mounted version available as trimless or framed. Materials: body in anodized extruded aluminium, diffuser in opal polycarbonate. Complies with standard EN60598-1 and other specific standards.

PRODUCT CODE: M245960

FEATURES

- Article Code: **M245960**
- Colour: **Gloss anodized**
- Material: **Aluminium**
- Series: **Architectural Indoor**
- Area contract: **Hospitality, null, Retail, Culture**
- design by: **Carlotta de Bevilacqua**

DIMENSIONS

- Length: **cm 8**
- Width: **cm 8**
- Height: **cm 17**
- Recessed depth: **cm 3.4**
- Inclination: **cm 90**
- Rotation: **355°**
- Cutout shape: **Squared**
- Weight: **kg 0.4**
- Glow Wire Test: **650°**
- Hole in false ceiling: **80x80 mm**

SOURCES INCLUDED

- Category: **Led**
- Number: **1**
- Watt: **9W**
- Delivered lumens output: **851lm**
- Color temperature (K): **3000K**
- CRI: **=80 (min.)**
- Color Tolerance: **MacAdam 4SDCM**
- Efficacy: **95lm/W**
- Service Life: **L70(6K) > 60500h**

Accessories

NO
IMAGE
AVAILABLE

Driver 20-25W - 220-240Vac - 164x38x25
(LxWxH) - Dimmable DALI/PUSH DV1003



Driver 19W 350mA SELV. - 220-240Vac -
Undimmable M074600

NO
IMAGE
AVAILABLE

20W 350mA SELV. - 220-240Vac - Undimmable
DV1058

NO
IMAGE
AVAILABLE

35W 350mA SELV. 120 - 220-240Vac - Undimmable
M076400

NO
IMAGE
AVAILABLE

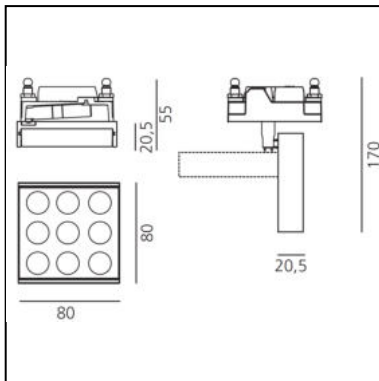
35W 350mA SELV. 120 - 220-240Vac - Dimmable
DALI M076600

Pad 80 With adjustable lenses - Gloss anodized - 9,5W 3000K - 40°

Carlotta de Bevilacqua



IP44 



LUMINAIRE

- Watt: **9.5W**
- Voltage: **12V**
- Delivered lumens output: **645lm**
- CCT: **3000K**
- Efficiency: **78%**
- Efficacy: **67.89lm/W**
- CRI: **80**

Notes

Optic Unit 1 - Undimmable: M074600
Optic Unit 2 - Undimmable: DV1058
Optic Unit 2x2 - Undimmable: DV1058 (x2)
Optic Unit 3 - Undimmable: M076400
Optic Unit 1/2 - Dimmable DALI: DV1003
Optic Unit 3 - Dimmable DALI: M076600
Optic Unit 2x2 - Dimmable DALI: DV1003 (x2)

DESCRIPTION

Efficient, clear accent lighting, fixed and adjustable. 3 beam angles: 2x6°, 2x12°, 2x19°. Diffused ambient lighting (in fixed version). 2 colour temperatures: warm white (3000K) and neutral white (4000K) - CRI=80 (min.). Excellent lighting efficiency > 70lm/W. High adjustability: 360° rotation, +90°/-90° tilt angle. Fixed version available as IP44. Easy installation of light modules, no tools required. Lighting units available in 3 finishes: gloss aluminium, painted white, painted black. Structural elements of recessed-mounted version available in 3 sizes, for use with 1, 2, 3 and 2x2 modules. 3 compatible finishes (polished aluminium, white, and black). Housing of ceiling-mounted version available in 3 sizes (1, 2, 3 lighting units), and 3 compatible finishes (polished aluminium, white and black). Recessed-mounted version available as trimless or framed. Materials: body in anodized extruded aluminium, diffuser in opal polycarbonate. Complies with standard EN60598-1 and other specific standards.

PRODUCT CODE: M246060

FEATURES

- Article Code: **M246060**
- Colour: **Gloss anodized**
- Material: **Aluminium**
- Series: **Architectural Indoor**
- Area contract: **Hospitality, null, Retail, Culture**
- design by: **Carlotta de Bevilacqua**

DIMENSIONS

- Length: **cm 8**
- Width: **cm 8**
- Height: **cm 17**
- Recessed depth: **cm 3.4**
- Inclination: **cm 90**
- Rotation: **355°**
- Cutout shape: **Squared**
- Weight: **kg 0.4**
- Glow Wire Test: **650°**
- Hole in false ceiling: **80x80 mm**

SOURCES INCLUDED

- Category: **Led**
- Number: **1**
- Watt: **9W**
- Delivered lumens output: **851lm**
- Color temperature (K): **3000K**
- CRI: **=80 (min.)**
- Color Tolerance: **MacAdam 4SDCM**
- Efficacy: **95lm/W**
- Service Life: **L70(6K) > 60500h**

Accessories

NO
IMAGE
AVAILABLE

Driver 20-25W - 220-240Vac - 164x38x25
(LxWxH) - Dimmable DALI/PUSH DV1003



Driver 19W 350mA SELV. - 220-240Vac -
Undimmable M074600

NO
IMAGE
AVAILABLE

20W 350mA SELV. - 220-240Vac - Undimmable
DV1058

NO
IMAGE
AVAILABLE

35W 350mA SELV. 120 - 220-240Vac - Undimmable
M076400


NO
IMAGE
AVAILABLE

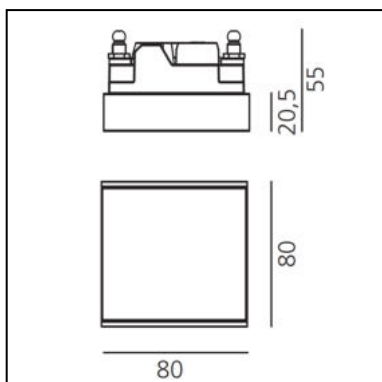
35W 350mA SELV. 120 - 220-240Vac - Dimmable
DALI M076600

Pad 80 fixed diffuser - Gloss anodized - 9,5W 3000K - 98°

Carlotta de Bevilacqua



IP44 



LUMINAIRE

- Watt: **9.5W**
- Voltage: **12V**
- Delivered lumens output: **620lm**
- CCT: **3000K**
- Efficiency: **75%**
- Efficacy: **6.526.315.789lm/W**
- CRI: **80**

Notes

Optic Unit 1 - Undimmable: M074600
Optic Unit 2 - Undimmable: DV1058
Optic Unit 2x2 - Undimmable: DV1058 (x2)
Optic Unit 3 - Undimmable: M076400
Optic Unit 1/2 - Dimmable DALI: DV1003
Optic Unit 3 - Dimmable DALI: M076600
Optic Unit 2x2 - Dimmable DALI: DV1003 (x2)

DESCRIPTION

Efficient, clear accent lighting, fixed and adjustable.
Diffused ambient lighting (in fixed version).
2 colour temperatures: warm white (3000K) and neutral white (4000K) - CRI=80 (min.).
Excellent lighting efficiency > 70lm/W. High adjustability: 360° rotation, +90°/-90° tilt angle.
Fixed version available as IP44. Easy installation of light modules, no tools required.
Lighting units available in 3 finishes: gloss aluminium, painted white, painted black.
Structural elements of recessed-mounted version available in 3 sizes, for use with 1, 2, 3 and 2x2 modules.
3 compatible finishes (polished aluminium, white, and black).
Housing of ceiling-mounted version available in 3 sizes (1, 2, 3 lighting units), and 3 compatible finishes (polished aluminium, white and black).
Recessed-mounted version available as trimless or framed.
Materials: body in anodized extruded aluminium, diffuser in opal polycarbonate.
Complies with standard EN60598-1 and other specific standards.

PRODUCT CODE: M245360

FEATURES

- Article Code: **M245360**
- Colour: **Gloss anodized**
- Material: **Aluminium**
- Series: **Architectural Indoor**
- Area contract: **Hospitality, null, Retail, Culture**
- design by: **Carlotta de Bevilacqua**

DIMENSIONS

- Length: **cm 8**
- Width: **cm 8**
- Height: **cm 2**
- Recessed depth: **cm 5.5**
- Cutout shape: **Squared**
- Weight: **kg 0.3**
- Glow Wire Test: **650°**
- Hole in false ceiling: **80x80 mm**

SOURCES INCLUDED

- Category: **Led**
- Number: **1**
- Watt: **9W**
- Delivered lumens output: **851lm**
- Color temperature (K): **3000K**
- CRI: **=80 (min.)**
- Color Tolerance: **MacAdam 4SDCM**
- Efficacy: **95lm/W**
- Service Life: **L70(6K) > 60500h**

Accessories

NO
IMAGE
AVAILABLE

Driver 20-25W - 220-240Vac - 164x38x25
(LxWxH) - Dimmable DALI/PUSH DV1003



Driver 19W 350mA SELV. - 220-240Vac -
Undimmable M074600

NO
IMAGE
AVAILABLE

20W 350mA SELV. - 220-240Vac - Undimmable
DV1058

NO
IMAGE
AVAILABLE

35W 350mA SELV. 120 - 220-240Vac - Undimmable
M076400

NO
IMAGE
AVAILABLE

35W 350mA SELV. 120 - 220-240Vac - Dimmable
DALI M076600