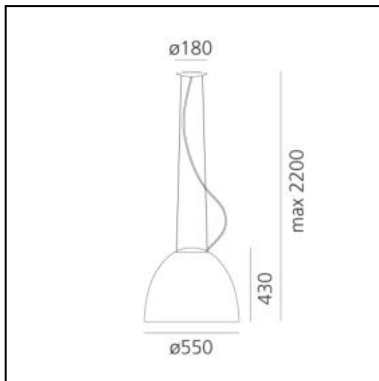


Nur Gloss LED - Suspension - White - App Compatible

Ernesto Gismondi



IP20       Dimmerable: 



LUMINAIRE

- Power Supply: **Electronic**
- Watt: **45W**
- Voltage: **220V-240V**
- Delivered lumens output: **2006lm**
- CCT: **2700K**
- Efficiency: **56%**
- Efficacy: **44.58lm/W**
- CRI: **90**
- Dimmable Typology: **Push & APP**

Notes

A new perfectly smooth and polished finish gives elegance to the classic Nur model. All the versions are encased in a diffuser at the bottom.

DESCRIPTION

An extreme geometric synthesis of optics par excellence, Nur manifests its presence through a monolithic and mono-material body. The essential and geometrically calibrated lines of a perfect parabola conceal an optical heart that perfectly controls the emission, without offending direct vision. It ensures general ambient lighting thanks also to indirect emission. Artemide App Compatible.

PRODUCT CODE: A243400APP

FEATURES

- Article Code: **A243400APP**
- Colour: **White**
- Installation: **Suspension**
- Material: **Aluminum, methacrylate, glass**
- Series: **Design Collection**
- Environment: **Indoor**
- Area contract: **Hospitality, Office, Residential**
- Emission: **Direct/indirect**
- design by: **Ernesto Gismondi**

DIMENSIONS

- Height: **cm 43**
- Diameter: **cm 55**
- Max Height from ceiling: **cm 220**
- Glow Wire Test: **650°C**

SOURCES INCLUDED

- Category: **Led**
- Number: **1**
- Watt: **37W**
- Delivered lumens output: **3747lm**
- Color temperature (K): **2700K**
- CRI: **90**
- Color Tolerance: **MacAdam 2SDCM**
- Efficacy: **103lm/W**
- Service Life: **50000-L70**

Accessories

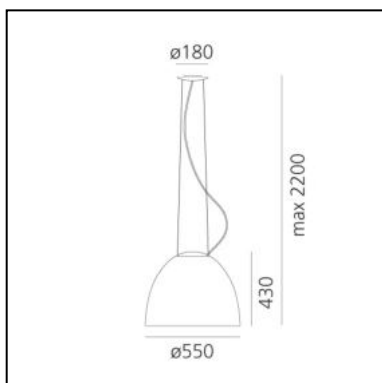
Device for switching and controlling Artemide App products. Max N.3 inputs for external push buttons. Mains power supply required. To be installed inside flush mounting boxes or junction boxes. DV1080APP

Nur Gloss - Suspension - Black

Ernesto Gismondi



IP20       Dimmerable: 



LUMINAIRE

- Watt: **21W**
- Voltage: **220V-240V**
- Delivered lumens output: **1013lm**
- Efficiency: **41%**
- Efficacy: **48.24lm/W**
- CRI: **80**

Notes

A new perfectly smooth and polished finish gives elegance to the classic Nur model. All the versions are encased in a diffuser at the bottom.

DESCRIPTION

An extreme geometric synthesis of optics par excellence, Nur manifests its presence through a monolithic and mono-material body. The essential and geometrically calibrated lines of a perfect parabola conceal an optical heart that perfectly controls the emission, without offending direct vision. It ensures general ambient lighting thanks also to indirect emission. Artemide App Compatible.

PRODUCT CODE: A242110

FEATURES

- Article Code: **A242110**
- Colour: **Black**
- Installation: **Suspension**
- Material: **Aluminium, polycarbonate, glass**
- Series: **Design Collection**
- Environment: **Indoor**
- Area contract: **Hospitality, Office, Residential**
- Emission: **Direct/indirect**
- design by: **Ernesto Gismondi**

DIMENSIONS

- Height: **cm 43.9**
- Diameter: **cm 55.4**
- Max Height from ceiling: **cm 200**
- Impact Resistance: **N/D**
- Glow Wire Test: **650°**

SOURCES NOT INCLUDED

- Category: **LED RETROFIT**
- Number: **1**
- Watt: **21W**
- Socket: **E27**