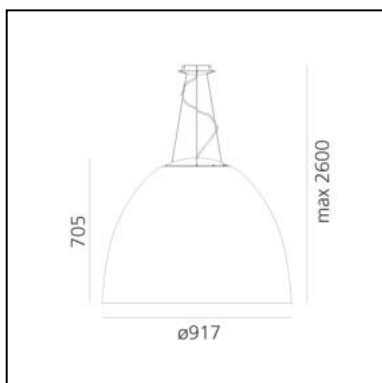


# Nur Acoustic White Integralis - White

Ernesto Gismondi



IP20  Dimmerable: 



## LUMINAIRE

### DAY MODE

- Watt: **80W**
- Voltage: **220-240V**
- Delivered lumens output: **6733lm**
- Radiant Flux: **4553mW**
- CCT: **5000K**
- Efficiency: **68%**
- Efficacy: **84.16lm/W**
- CRI: **90**
- Dimmable Typology: **Push**

## DESCRIPTION

Nur, an iconic product from the Artemide collection, is restyled in a new acoustic version. The bell-shaped body is designed to mark the boundaries through light, as well as with ambient sound control. The special material absorbs sound waves and reduces their reverberation time, the body's geometry enhances the material's properties by trapping and absorbing sound within. The selected colours, matched with a white inner surface, valorize light. Perfect environmental quality is thus obtained.

In the WHITE INTEGRALIS version, Nur is designed to offer a white emission ensuring perfect perception while respecting the human presence and which at the same time combines control of microbial growth. It can vary in intensity and is available with a fixed CCT of 5000K, with a high color rendering index (CRI 90).

**PRODUCT CODE: A243720IN0**

## FEATURES

- Article Code: **A243720IN0**
- Colour: **White**
- Installation: **Suspension**
- Material: **PET, methacrylate, glass**
- Series: **Design Collection**
- Environment: **Indoor**
- design by: **Ernesto Gismondi**

## DIMENSIONS

- Height: **cm 70.5**
- Diameter: **cm 91.7**
- Max Height from ceiling: **cm 260**
- Glow Wire Test: **650°**

## SOURCES INCLUDED

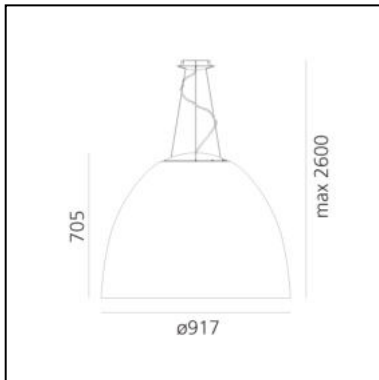
- Category: **Led**
- Number: **1**
- Color temperature (K): **5000K**
- CRI: **90**
- Color Tolerance: **3SDCM**
- Service Life: **L80 (10K) 55000h**

# Nur Acoustic - Green

Ernesto Gismondi



IP20   Dimmerable: 



## LUMINAIRE

- Watt: **80W**
- Voltage: **220-240V**
- Delivered lumens output: **6151lm**
- CCT: **3000K**
- Efficiency: **68%**
- Efficacy: **76.89lm/W**
- CRI: **90**
- Dimmable Typology: **Push**

## DESCRIPTION

The bestselling appliance Nur, an iconic product from the Artemide collection, is restyled in a new acoustic version. The bell-shaped body is designed to mark the boundaries through light, as well as with ambient sound control. The special material absorbs sound waves and reduces their reverberation time, the body's geometry enhances the material's properties by trapping and absorbing sound within. The selected colours, matched with a white inner surface, valorize light. Perfect environmental quality is thus obtained.

**PRODUCT CODE: A243770**

## FEATURES

- Article Code: **A243770**
- Colour: **Green**
- Installation: **Suspension**
- Material: **PET, methacrylate, glass**
- Series: **Design Collection**
- Environment: **Indoor**
- design by: **Ernesto Gismondi**

## DIMENSIONS

- Height: **cm 70.5**
- Diameter: **cm 91.7**
- Max Height from ceiling: **cm 260**
- Glow Wire Test: **650°**

## SOURCES INCLUDED

- Category: **Led**
- Number: **1**
- Watt: **75W**
- Delivered lumens output: **9112**
- Color temperature (K): **3000K**
- CRI: **90**
- Color Tolerance: **MacAdam 2SDCM**
- Efficacy: **122lm/W**
- Service Life: **50000-L70**