

Miconos Wall - Polished chrome

Ernesto Gismondi



PRODUCT CODE: A020100

FEATURES

- Article Code: **A020100**
- Colour: **Polished chrome**
- Installation: **Wall**
- Material: **Blown glass, steel**
- Series: **Design Collection**
- Environment: **Indoor**
- Area contract: **All projects**
- Emission: **Diffused And Direct**
- design by: **Ernesto Gismondi**

DIMENSIONS

- Diameter: **cm 25**
- Depth: **cm 32.5**

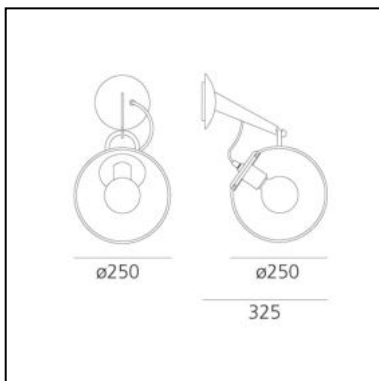
NOT INCLUDED SOURCES

- Category: **FLUO**
- Number: **1**
- Lbs: **G90**
- Watt: **20W**
- Socket: **E27**
- Color Rendering: **1b**
- Color temperature (K): **2700K**
- Duration (h): **12000h**

ALTERNATIVE SOURCES

- Category: **LED RETROFIT**
- Number: **1**
- Watt: **12W**
- Delivered lumens output: **1000lm**
- Socket: **E27**

IP20     Dimmerable: 



LUMINAIRE

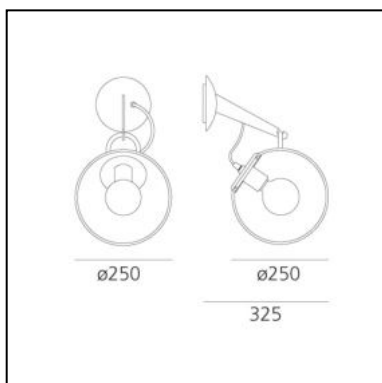
- Watt: **7,5W**
- Voltage: **220V-240V**
- Delivered lumens output: **951lm**
- Efficiency: **90%**
- Efficacy: **135.88lm/W**
- CRI: **80**

Miconos Wall - Satin brass

Ernesto Gismondi



IP20     Dimmerable: 



LUMINAIRE

- Watt: **7,5W**
- Voltage: **220V-240V**
- Delivered lumens output: **951lm**
- Efficiency: **90%**
- Efficacy: **135.88lm/W**
- CRI: **80**

PRODUCT CODE: A020110

FEATURES

- Article Code: **A020110**
- Colour: **Satin brass**
- Installation: **Wall**
- Material: **Blown glass, steel**
- Series: **Design Collection**
- Environment: **Indoor**
- Area contract: **All projects**
- Emission: **Diffused And Direct**
- design by: **Ernesto Gismondi**

DIMENSIONS

- Diameter: **cm 25**
- Depth: **cm 32.5**

NOT INCLUDED SOURCES

- Category: **FLUO**
- Number: **1**
- Lbs: **G90**
- Watt: **20W**
- Socket: **E27**
- Color Rendering: **1b**
- Color temperature (K): **2700K**
- Duration (h): **12000h**

ALTERNATIVE SOURCES

- Category: **LED RETROFIT**
- Number: **1**
- Watt: **12W**
- Delivered lumens output: **1000lm**
- Socket: **E27**