

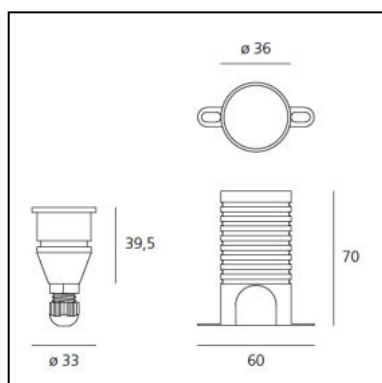


Microled RGB

Studio Artemide



IP65/67  



LUMINAIRE

- Power Supply: **Electronic**
- Watt: **1,5W**
- Voltage: **12V**
- CCT: **RGB**

DESCRIPTION

Light fixture with LED light sources. Floor installation. Consist of diffuser, body, ring, housing. Diffuser in glass, 3mm-thick. Body in technopolymer, with or without frame. Ring in stainless steel AISI 316L. Housing in plastic material (available separately). Remote driver. Electrical connection to the ballast by means of a two-pole H05RN-F cable and appropriate IP68 terminal board. White monochromatic LEDs available in 2 colour temperatures: Warm = 3000K Neutral = 4000K IP67 protection rating. Insulation class III. Technical features of light fixtures in compliance with EN60598-1. Installation must be carried out by specialized personnel. Carefully follow the instructions.

PRODUCT CODE: NL42038

FEATURES

- Article Code: **NL42038**
- Installation: **Floor Recessed**
- Material: **Black PVC, Polycarbonate.**
- Series: **Scenarios**
- Environment: **Outdoor**
- design by: **Studio Artemide**

DIMENSIONS

- Base Diameter: **cm 3.3**
- Cutout diameter: **cm 3.6**
- Recessed depth: **cm 7**
- Cutout shape: **Rounded**
- Weight: **kg 0.2**

SOURCES INCLUDED

- Category: **Led**
- Number: **1**
- Watt: **0,5W**
- Color Rendering: **RGB**

Accessories

NO
IMAGE
AVAILABLE

Driver NLX1-75 - 144W - 24Vdc PWM - DMX/DALI - 153x50x23(LxWxH) - IP40 NL19084

NO
IMAGE
AVAILABLE

Driver cv 150W 24Vdc DV5004

NO
IMAGE
AVAILABLE

Driver NLX1-100 - 120-250Vac - 95W - 24Vdc PWM - DMX/DALI - 340x103x61(LxWxH)- IP66 DV1046

NO
IMAGE
AVAILABLE

50cm-long cable with HE10 connector for connection to a keyboard NL7833

NO
IMAGE
AVAILABLE

Driver NLX1-100 - 120-250Vac - 95W - 24Vdc PWM - DMX/DALI - 388x42x30(LxWxH)- IP40 NL12150

NO
IMAGE
AVAILABLE

Cassaforma microled NL42040H0

NO
IMAGE
AVAILABLE

Driver - NLX2-75 - 90-260Vac - 75W - 24Vdc PWM - Ch: 2xRGB - DMX - 270x200x80 (LxWxH) - IP40 NL75190

NO
IMAGE
AVAILABLE

DSC30 interfaccia USB - DMX stand alone microled NL19030



NO
IMAGE
AVAILABLE

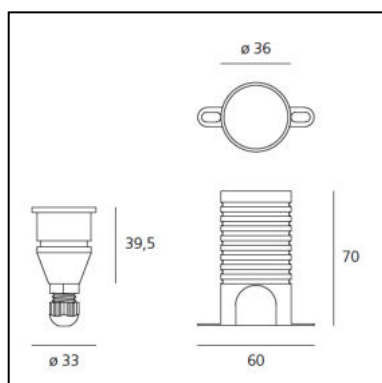
Alimentatore 9V/350mA con connettore mini USB per DSC30 NL19031

Microled RGB Flangia

Studio Artemide



IP65/67  



LUMINAIRE

- Power Supply: **Electronic**
- Watt: **1,5W**
- CCT: **RGB**

DESCRIPTION

Light fixture with LED light sources. Floor installation. Consist of diffuser, body, ring, housing. Diffuser in glass, 3mm-thick. Body in technopolymer, with or without frame. Ring in stainless steel AISI 316L. Housing in plastic material (available separately). Remote driver. Electrical connection to the ballast by means of a two-pole H05RN-F cable and appropriate IP68 terminal board. White monochromatic LEDs available in 2 colour temperatures: Warm = 3000K Neutral = 4000K IP67 protection rating. Insulation class III. Technical features of light fixtures in compliance with EN60598-1. Installation must be carried out by specialized personnel. Carefully follow the instructions.

PRODUCT CODE: NL42039

FEATURES

- Article Code: **NL42039**
- Installation: **Floor Recessed**
- Material: **Black PVC, Polycarbonate.**
- Series: **Scenarios**
- Environment: **Outdoor**
- design by: **Studio Artemide**

DIMENSIONS

- Base Diameter: **cm 3.3**
- Cutout diameter: **cm 3.6**
- Recessed depth: **cm 7**
- Cutout shape: **Rounded**
- Weight: **kg 0.2**

SOURCES INCLUDED

- Category: **Led**
- Number: **1**
- Watt: **0,5W**
- Delivered lumens output: **6,9lm**
- Color temperature (K): **3000K**
- Voltage: **12Vdc**

Accessories

NO
IMAGE
AVAILABLE

Driver NLX1-75 - 144W - 24Vdc PWM - DMX/DALI - 153x50x23(LxWxH) - IP40 NL19084

NO
IMAGE
AVAILABLE

Driver cv 150W 24Vdc DV5004

NO
IMAGE
AVAILABLE

Driver NLX1-100 - 120-250Vac - 95W - 24Vdc PWM - DMX/DALI - 340x103x61(LxWxH)- IP66 DV1046

NO
IMAGE
AVAILABLE

50cm-long cable with HE10 connector for connection to a keyboard NL7833

NO
IMAGE
AVAILABLE

Driver NLX1-100 - 120-250Vac - 95W - 24Vdc PWM - DMX/DALI - 388x42x30(LxWxH)- IP40 NL12150

NO
IMAGE
AVAILABLE

Cassaforma microled NL42040H0

NO
IMAGE
AVAILABLE

Driver - NLX2-75 - 90-260Vac - 75W - 24Vdc PWM - Ch: 2xRGB - DMX - 270x200x80 (LxWxH) - IP40 NL75190

NO
IMAGE
AVAILABLE

DSC30 interfaccia USB - DMX stand alone microled NL19030



NO
IMAGE
AVAILABLE

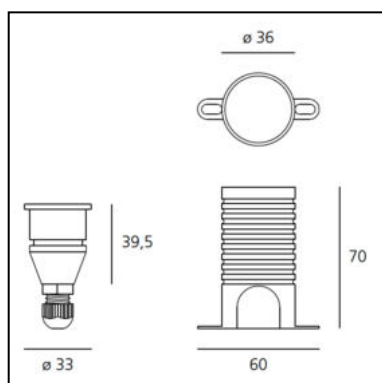
Alimentatore 9V/350mA con connettore mini USB per DSC30 NL19031

Microled

Studio Artemide



IP65/67  



LUMINAIRE

- Power Supply: **Electronic**
- Watt: **0.5W**
- Voltage: **12V**
- Delivered lumens output: **6lm**
- CCT: **3000K**
- Efficiency: **81%**
- Efficacy: **11.20lm/W**
- CRI: **75**

DESCRIPTION

Light fixture with LED light sources. Floor installation. Consist of diffuser, body, ring, housing. Diffuser in glass, 3mm-thick. Body in technopolymer, with or without frame. Ring in stainless steel AISI 316L. Housing in plastic material (available separately). Remote driver. Electrical connection to the ballast by means of a two-pole H05RN-F cable and appropriate IP68 terminal board. White monochromatic LEDs available in 2 colour temperatures: Warm = 3000K Neutral = 4000K IP67 protection rating. Insulation class III. Technical features of light fixtures in compliance with EN60598-1. Installation must be carried out by specialized personnel. Carefully follow the instructions.

PRODUCT CODE: NL42036VSK0

FEATURES

- Article Code: **NL42036VSK0**
- Installation: **Floor Recessed**
- Material: **Black PVC, Polycarbonate.**
- Series: **Scenarios**
- Environment: **Outdoor**
- design by: **Studio Artemide**

DIMENSIONS

- Base Diameter: **cm 3.3**
- Cutout diameter: **cm 3.6**
- Recessed depth: **cm 7**
- Cutout shape: **Rounded**
- Weight: **kg 0.2**
- Impact Resistance: **IK10**

SOURCES INCLUDED

- Category: **Led**
- Number: **1**
- Watt: **0,5W**
- Delivered lumens output: **6,9lm**
- Color temperature (K): **3000K**
- Voltage: **12Vdc**

Accessories

NO
IMAGE
AVAILABLE

Driver 25W - 100-277 Vac - 12Vdc - 148x40x32
(LxWxH) - IP67 DV1055

NO
IMAGE
AVAILABLE

Driver 40W - 100-277 Vac - 12Vdc - 163x43x32
(LxWxH) - IP67 DV1056

NO
IMAGE
AVAILABLE

Driver 100W - 100-277 Vac - 12Vdc - 140x63x32
(LxWxH) - IP67 DV1057



NO
IMAGE
AVAILABLE

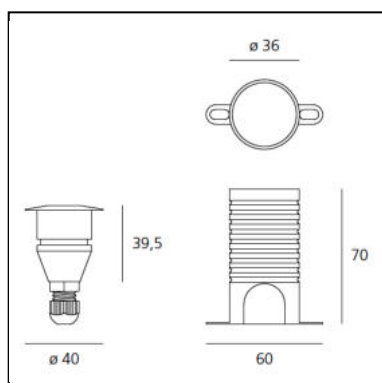
Cassaforma microled NL42040H0

Microled Flangia

Studio Artemide



IP65/67  



LUMINAIRE

- Power Supply: **Electronic**
- Watt: **0.5W**
- Voltage: **12V**
- Delivered lumens output: **6lm**
- CCT: **3000K**
- Efficiency: **81%**
- Efficacy: **11.20lm/W**
- CRI: **75**

DESCRIPTION

Light fixture with LED light sources. Floor installation. Consist of diffuser, body, ring, housing. Diffuser in glass, 3mm-thick. Body in technopolymer, with or without frame. Ring in stainless steel AISI 316L. Housing in plastic material (available separately). Remote driver. Electrical connection to the ballast by means of a two-pole H05RN-F cable and appropriate IP68 terminal board. White monochromatic LEDs available in 2 colour temperatures: Warm = 3000K Neutral = 4000K IP67 protection rating. Insulation class III. Technical features of light fixtures in compliance with EN60598-1. Installation must be carried out by specialized personnel. Carefully follow the instructions.

PRODUCT CODE: NL42037VSK0

FEATURES

- Article Code: **NL42037VSK0**
- Installation: **Floor Recessed**
- Material: **Black PVC, Polycarbonate.**
- Series: **Scenarios**
- Environment: **Outdoor**
- design by: **Studio Artemide**

DIMENSIONS

- Base Diameter: **cm 4**
- Cutout diameter: **cm 3.6**
- Recessed depth: **cm 7**
- Cutout shape: **Rounded**
- Weight: **kg 0.2**
- Impact Resistance: **IK10**

SOURCES INCLUDED

- Category: **Led**
- Number: **1**
- Watt: **0,5W**
- Delivered lumens output: **6,9lm**
- Color temperature (K): **3000K**
- Voltage: **12Vdc**

Accessories

NO
IMAGE
AVAILABLE

Driver 25W - 100-277 Vac - 12Vdc - 148x40x32
(LxWxH) - IP67 DV1055

NO
IMAGE
AVAILABLE

Driver 40W - 100-277 Vac - 12Vdc - 163x43x32
(LxWxH) - IP67 DV1056

NO
IMAGE
AVAILABLE

Driver 100W - 100-277 Vac - 12Vdc - 140x63x32
(LxWxH) - IP67 DV1057

NO
IMAGE
AVAILABLE

Cassaforma microled NL42040H0