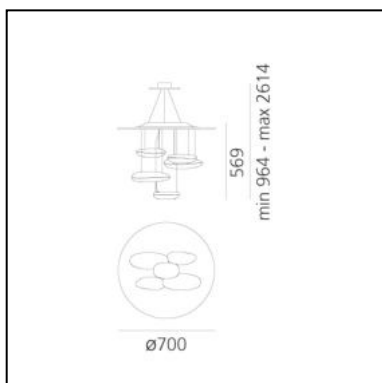


Mercury Mini Suspension

Ross Lovegrove



IP20   Dimmerable: 



LUMINAIRE

- Watt: **160W**
- Voltage: **220V-240V**
- Delivered lumens output: **3300lm**

DESCRIPTION

Range extension of Mercury series, in smaller dimension. "A ceiling fixture that places a floating assembly of large pebbles below a simple modern disc. These in turn reflect each other bouncing light between their taught bio - morphic surfaces and reflecting the environment around them. During the day the piece acts as a sculptural object reflecting the dynamics of natural light and the movement of people around them." Materials: structure in brushed stainless steel and painted aluminum. Light fixtures in chromed aluminium. Hanging in chromed plastic.

PRODUCT CODE: 1479010A

FEATURES

- Article Code: **1479010A**
- Colour: **Polished chrome**
- Installation: **Suspension**
- Material: **Aluminium, ABS, steel**
- Series: **Design Collection, Hydro**
- Environment: **Indoor**
- Area contract: **Hospitality, Office, Residential**
- Emission: **Indirect**
- design by: **Ross Lovegrove**

DIMENSIONS

- Height: **cm 56.2**
- Diameter: **cm 70**
- Max Height from ceiling: **cm 200**
- Glow Wire Test: **650°**

NOT INCLUDED SOURCES

- Category: **HALO**
- Number: **1**
- Lbs: **Qt-de12**
- Watt: **160W**
- Socket: **R7s**
- Color Rendering: **1a**
- Color temperature (K): **2950K**
- Duration (h): **2000h**

ALTERNATIVE SOURCES

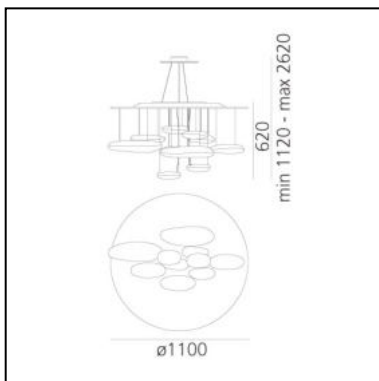
- Category: **LED RETROFIT**
- Number: **1**
- Watt: **11w**
- Delivered lumens output: **1110lm**
- Socket: **R7s**

Mercury Suspension

Ross Lovegrove



IP20      Dimmerable: 



LUMINAIRE

- Watt: **320W**
- Voltage: **220V-240V**
- Delivered lumens output: **6600lm**

Notes

Its modular shape lends itself to the creation and realisation of customized compositions, supplied as special project.

DESCRIPTION

A ceiling fixture that places a floating assembly of large pebbles below a simple modern aluminium disc. These in turn reflect each other bouncing light between their taught bio-morphic surfaces and reflecting the environment around them. During the day the piece acts as a sculptural object reflecting the dynamics of natural light and the movement of people around them. Die-cast aluminium lighting units; reflective units made of injection-moulded thermoplastic material with metallic finish; die-cast aluminium reflector.

PRODUCT CODE: 1397110A

FEATURES

- Article Code: **1397110A**
- Colour: **Polished chrome**
- Installation: **Suspension**
- Material: **Aluminium, ABS, steel**
- Series: **Design Collection, Hydro**
- Environment: **Indoor**
- Area contract: **Hospitality, Office, Residential**
- Emission: **Indirect**
- design by: **Ross Lovegrove**

DIMENSIONS

- Height: **cm 60**
- Diameter: **cm 110**
- Max Height from ceiling: **cm 200**
- Glow Wire Test: **650°**

NOT INCLUDED SOURCES

- Category: **HALO**
- Number: **2**
- Lbs: **Qt-de12**
- Watt: **160W**
- Socket: **R7s**
- Color Rendering: **1a**
- Color temperature (K): **2950K**
- Duration (h): **2000h**

ALTERNATIVE SOURCES

- Category: **LED RETROFIT**
- Number: **2**
- Watt: **11w**
- Delivered lumens output: **1110lm**
- Socket: **R7s**