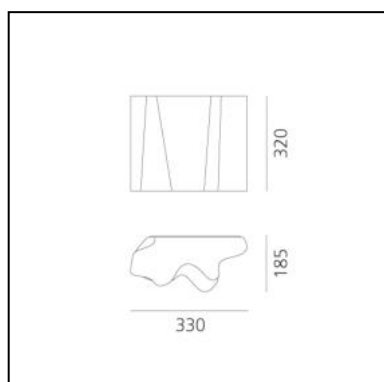


# Logico Wall - Silk Diffuser

Michele De Lucchi  
Gerhard Reichert



IP20     Dimmerable: 



## LUMINAIRE

- Watt: **26W**
- Voltage: **220V-240V**
- Delivered lumens output: **2134lm**
- Efficiency: **70%**
- Efficacy: **82.08lm/W**
- CRI: **80**

## DESCRIPTION

**PRODUCT CODE: 0391030A**

## FEATURES

- Article Code: **0391030A**
- Colour: **Silk**
- Installation: **Wall**
- Material: **Blown glass, steel**
- Series: **Design Collection**
- Environment: **Indoor**
- Area contract: **Hospitality, null, Office, Residential**
- Emission: **Diffused And Direct**
- design by: **Michele De Lucchi, Gerhard Reichert**

## DIMENSIONS

- Length: **cm 33**
- Width: **cm 18.5**
- Height: **cm 32**

## SOURCES NOT INCLUDED

- Category: **LED RETROFIT**
- Number: **2**
- Watt: **8W**
- Delivered lumens output: **900lm**
- Socket: **E27**

# Logico Mini Wall - Silk Diffuser

Michele De Lucchi  
Gerhard Reichert



**PRODUCT CODE: 0395030A**

## FEATURES

- Article Code: **0395030A**
- Colour: **Silk**
- Installation: **Wall**
- Material: **Blown glass, steel**
- Series: **Design Collection**
- Environment: **Indoor**
- Area contract: **Hospitality, null, Office, Residential**
- Emission: **Diffused And Direct**
- design by: **Michele De Lucchi, Gerhard Reichert**

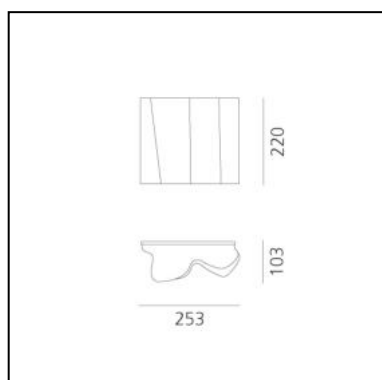
## DIMENSIONS

- Length: **cm 25.3**
- Width: **cm 10.3**
- Height: **cm 22**

## SOURCES NOT INCLUDED

- Category: **LED RETROFIT**
- Number: **1**
- Watt: **8W**
- Delivered lumens output: **900lm**
- Socket: **E27**

IP20     Dimmerable: 



## LUMINAIRE

- Watt: **10,5W**
- Voltage: **220V-240V**
- Delivered lumens output: **740lm**
- Efficiency: **70%**
- Efficacy: **74.01lm/W**
- CRI: **80**

# Logico Micro Wall - Silk Diffuser

Michele De Lucchi  
Gerhard Reichert



**PRODUCT CODE: 0846030A**

## FEATURES

- Article Code: **0846030A**
- Colour: **Silk**
- Installation: **Wall**
- Material: **Blown glass, steel**
- Series: **Design Collection**
- Environment: **Indoor**
- Area contract: **Hospitality, null, Office, Residential**
- Emission: **Diffused And Direct**
- design by: **Michele De Lucchi, Gerhard Reichert**

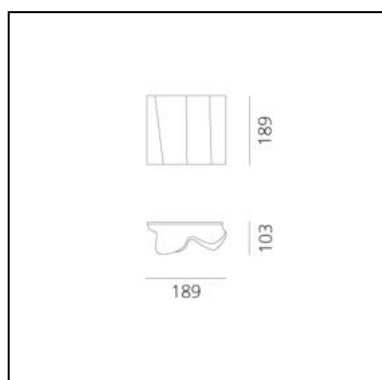
## DIMENSIONS

- Length: **cm 18.9**
- Width: **cm 10.3**
- Height: **cm 18.9**

## SOURCES NOT INCLUDED

- Category: **LED RETROFIT**
- Number: **1**
- Watt: **5W**
- Socket: **E14**

IP20     Dimmerable: 



## LUMINAIRE

- Watt: **5W**
- Voltage: **220V-240V**
- Delivered lumens output: **279lm**
- Efficiency: **59%**
- Efficacy: **55.70lm/W**
- CRI: **80**