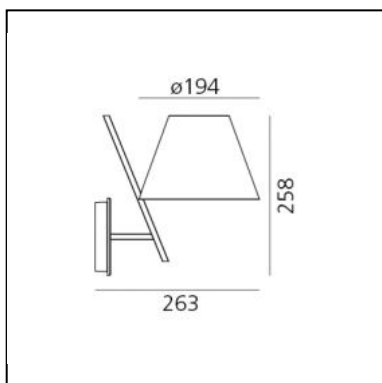


La Petite Wall - White

Quaglio Simonelli



  Dimmerable: +0-



LUMINAIRE

- Watt: **5W**
- Delivered lumens output: **307lm**
- Efficiency: **65%**
- Efficacy: **61.38lm/W**
- CRI: **80**

DESCRIPTION

An archetypal lampshade balanced on a tilted stem. Simple elements, exquisitely combined into an amazing geometric composition, recall basic forms matched with different materials for technological reasons. Despite its plain and simple look, this lamp clearly conveys the skills of Artemide. The lampshade is a lightweight plastic volume closed by two diffusers that produce a pleasant soft direct and indirect light. The joint connects the lampshade with the aluminium stem on a minimal support. These simple elements are combined into a plain and elegant object, where the tilted stem is counterbalanced by the lampshade's volume. "La Petite walks on a wire, balancing between full and empty. There is no symmetry in its design, but there is order. A subtle harmony of elements disassembled, in equilibrium at the boundary between light and dark." Quaglio Simonelli

PRODUCT CODE: 1752020A

FEATURES

- Article Code: **1752020A**
- Colour: **White**
- Installation: **Wall**
- Material: **Polycarbonate, aluminium, methacrylate**
- Series: **Design Collection**
- Environment: **Indoor**
- Emission: **diffused**
- design by: **Quaglio Simonelli**

DIMENSIONS

- Width: **cm 26.3**
- Height: **cm 25.8**
- Diameter: **cm 19.4**

SOURCES NOT INCLUDED

- Category: **LED RETROFIT**
- Number: **1**
- Socket: **E14**