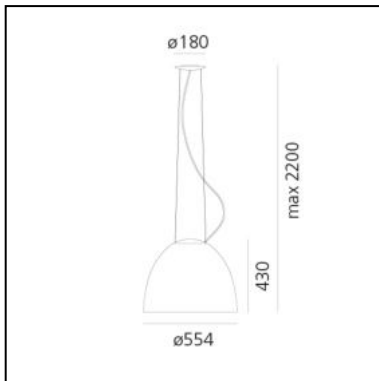


Nur LED White Integralis - Suspension - Anodized Aluminium - App Compatible

Ernesto Gismondi



IP20   Dimmerable: 



LUMINAIRE

DAY MODE

- Watt: **45W**
- Voltage: **220V-240V**
- Delivered lumens output: **2423lm**
- Radiant Flux: **1413mW**
- CCT: **5000K**
- Efficiency: **52%**
- Efficacy: **53.84lm/W**
- CRI: **90**
- Dimmable Typology: **APP**

Notes

DESCRIPTION

An extreme geometric synthesis of optics par excellence, Nur manifests its presence through a monolithic and mono-material body. The essential and geometrically calibrated lines of a perfect parabola conceal an optical heart that perfectly controls the emission, without offending direct vision. With a 45W LED optical engine, it ensures general ambient lighting thanks also to indirect emission. In the WHITE INTEGRALIS version, compatible with Artemide App, Nur is designed to offer a white emission ensuring perfect perception while respecting the human presence and which at the same time combines control of microbial growth. It can vary in intensity and is available with a fixed CCT of 5000K, with a high color rendering index (CRI 90).

PRODUCT CODE: A243310IN0APP

FEATURES

- Article Code: **A243310IN0APP**
- Colour: **Anodized Aluminium**
- Installation: **Suspension**
- Material: **Aluminium, methacrylate, glass**
- Series: **Design Collection**
- Environment: **Indoor**
- Area contract: **Hospitality, Office, Residential**
- Emission: **Direct/indirect**
- design by: **Ernesto Gismondi**

DIMENSIONS

- Height: **cm 43**
- Diameter: **cm 55**
- Max Height from ceiling: **cm 220**
- Glow Wire Test: **650°C**

SOURCES INCLUDED

- Category: **Led**
- Number: **1**
- Color temperature (K): **5000K**
- CRI: **90**
- Color Tolerance: **3SDCM**
- Service Life: **L80 (10K) 55000h**

Accessories

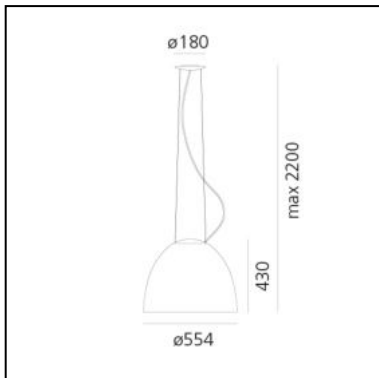
Device for switching and controlling Artemide App products. Max N.3 inputs for external push buttons. Mains power supply required. To be installed inside flush mounting boxes or junction boxes. DV1080APP

Nur LED - Suspension - Anthracite Grey - App Compatible

Ernesto Gismondi



IP20     Dimmerable: +0-



LUMINAIRE

- Power Supply: **Electronic Integrated**
- Watt: **45W**
- Voltage: **220V-240V**
- Delivered lumens output: **1882lm**
- CCT: **2700K**
- Efficiency: **52%**
- Efficacy: **41.82lm/W**
- CRI: **90**
- Dimmable Typology: **APP**

DESCRIPTION

An extreme geometric synthesis of optics par excellence, Nur manifests its presence through a monolithic and mono-material body. The essential and geometrically calibrated lines of a perfect parabola conceal an optical heart that perfectly controls the emission, without offending direct vision. It ensures general ambient lighting thanks also to indirect emission. Artemide App Compatible.

PRODUCT CODE: A243300APP

FEATURES

- Article Code: **A243300APP**
- Colour: **Anthracite Grey**
- Installation: **Suspension**
- Material: **Aluminium, methacrylate, glass**
- Series: **Design Collection**
- Environment: **Indoor**
- Area contract: **Hospitality, Office, Residential**
- Emission: **Direct/indirect**
- design by: **Ernesto Gismondi**

DIMENSIONS

- Height: **cm 43**
- Diameter: **cm 55**
- Max Height from ceiling: **cm 220**
- Glow Wire Test: **650°C**

SOURCES INCLUDED

- Category: **Led**
- Number: **1**
- Watt: **37W**
- Delivered lumens output: **3747lm**
- Color temperature (K): **2700K**
- CRI: **90**
- Color Tolerance: **MacAdam 2SDCM**
- Efficacy: **103lm/W**
- Service Life: **50000-L70**

Accessories

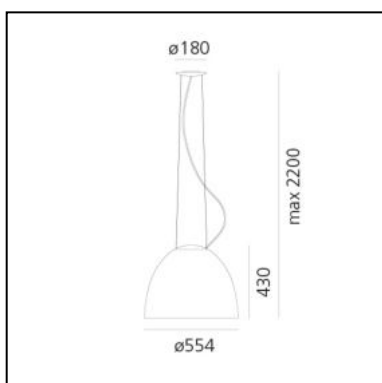
Device for switching and controlling Artemide App products. Max N.3 inputs for external push buttons. Mains power supply required. To be installed inside flush mounting boxes or junction boxes. DV1080APP

Nur - Suspension - Anodized Aluminium

Ernesto Gismondi



IP20     Dimmerable: 



LUMINAIRE

- Watt: **21W**
- Voltage: **220V-240V**
- Delivered lumens output: **1417lm**
- Efficiency: **58%**
- Efficacy: **67.46lm/W**
- CRI: **80**

Notes

As accessory, are available an antidazzle cap and a coloured filter.

DESCRIPTION

An extreme geometric synthesis of optics par excellence, Nur manifests its presence through a monolithic and mono-material body. The essential and geometrically calibrated lines of a perfect parabola conceal an optical heart that perfectly controls the emission, without offending direct vision. It ensures general ambient lighting thanks also to indirect emission. Artemide App Compatible.

PRODUCT CODE: A240610

FEATURES

- Article Code: **A240610**
- Colour: **Anodized Aluminium**
- Installation: **Suspension**
- Material: **Aluminium, glass**
- Series: **Design Collection**
- Environment: **Indoor**
- Area contract: **Hospitality, Office, Residential**
- Emission: **Direct/indirect**
- design by: **Ernesto Gismondi**

DIMENSIONS

- Height: **cm 43**
- Diameter: **cm 55**
- Base Diameter: **cm 18**
- Max Height from ceiling: **cm 220**
- Glow Wire Test: **650°C**

SOURCES NOT INCLUDED

- Category: **LED RETROFIT**
- Number: **1**
- Watt: **21W**
- Socket: **E27**

Accessories



NUR FILTRO COLORATO PER ALOG 250W*
A249300



NUR CUPOLA ANTIABBAGL.PER ALOG 250W*
A249400