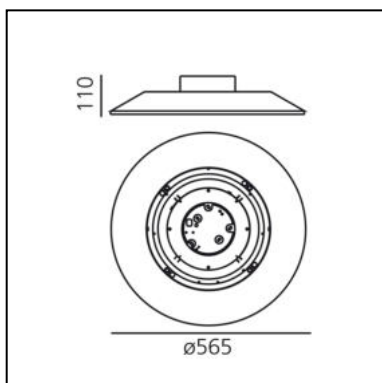


Float Circolare Ceiling

James Irvine



IP20     



LUMINAIRE

- Power Supply: **Electronic Integrated**
- Watt: **55W**
- Voltage: **220V-240V**
- Delivered lumens output: **2113lm**
- CCT: **3000K**
- Efficiency: **53%**
- Efficacy: **38.42lm/W**
- CRI: **84**

Notes

Lamp included. Available in circular or linear versions. Application of a coloured filter, blue or topaz, to the indirect light emission (Float circolare and Float lineare monotubo only).

DESCRIPTION

Structure in painted aluminium, lower diffuser in opaline methacrylate, upper diffuser in transparent polycarbonate.

PRODUCT CODE: SCENARIOS

FEATURES

- Article Code: **0367010A**
- Colour: **White**
- Installation: **Ceiling**
- Material: **Aluminium, methacrylate, polycarbonate**
- Series: **Scenarios**
- Environment: **Indoor**
- Area contract: **Hospitality, Office**
- Emission: **Direct/indirect**
- design by: **James Irvine**

DIMENSIONS

- Height: **cm 11**
- Diameter: **cm 56.5**
- Impact Resistance: **N/D**
- Glow Wire Test: **650°C**

INCLUDED SOURCES

- Category: **FLUO**
- Number: **1**
- Lbs: **T16-Round**
- Watt: **55W**
- Socket: **2GX13**
- Color Rendering: **1b**
- Color temperature (K): **3000K**

Accessories

NO
IMAGE
AVAILABLE

FLOAT CIRCOLARE FILTRO TOP 0369040A

NO
IMAGE
AVAILABLE

FLOAT CIRCOLARE FILTRO BLU 0369030A