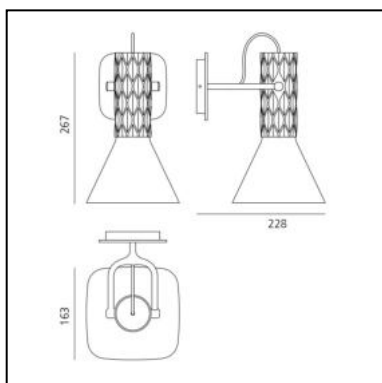


Fiamma Wall - Black

Wilmotte & Industries



IP20  Dimmerable: 



LUMINAIRE

- Watt: **8W**
- Delivered lumens output: **390lm**
- Efficiency: **95%**

DESCRIPTION

"Modular and adjustable, Fiamma works with a LED source base and a set of accessories to meet the different needs of lighting in hotels: bedside lamp, floor lamp, wall lamp, suspension light. The look is willing to be « domestic », to feel like being at home, in order to reinforce the cosines of the object." Fiamma is a systemic lighting element designed to respond to the needs of the contract sector, yet well suited also for everyday living environments. An anodized aluminium cylinder with a specific texture – a perfect combination of look and functionality – is the true luminous engine of the system. The light emitted by the LED source is cleverly controlled by a transparent diffuser, designed with an anti-reflex texture, to ensure visual comfort in all usage conditions. Different supports can be assembled on it, all made of carefully processed aluminium, to obtain a variety of versions – suspension, ceiling, reading, table.

PRODUCT CODE: SCENARIOS

FEATURES

- Article Code: **1986020A**
- Colour: **Black**
- Installation: **Wall**
- Material: **Polycarbonate, aluminum, steel**
- Series: **Scenarios**
- design by: **Wilmotte & Industries**

DIMENSIONS

- Width: **cm 22.8**
- Height: **cm 26.7**
- Cutout shape: **Squared**

SOURCES NOT INCLUDED

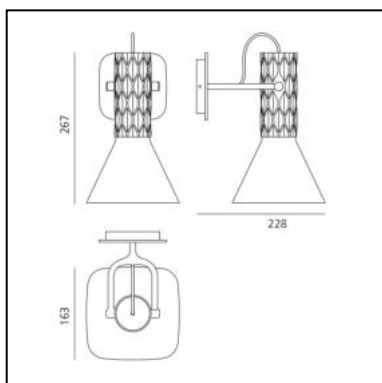
- Category: **LED RETROFIT**
- Number: **1**
- Watt: **8W**
- Socket: **GU10**
- Voltage: **230V**

Fiamma Wall - Grey

Wilmotte & Industries



IP20  Dimmerable: 



LUMINAIRE

- Watt: **8W**
- Delivered lumens output: **390lm**
- Efficiency: **95%**

DESCRIPTION

"Modular and adjustable, Fiamma works with a LED source base and a set of accessories to meet the different needs of lighting in hotels: bedside lamp, floor lamp, wall lamp, suspension light. The look is willing to be « domestic », to feel like being at home, in order to reinforce the cosines of the object." Fiamma is a systemic lighting element designed to respond to the needs of the contract sector, yet well suited also for everyday living environments. An anodized aluminium cylinder with a specific texture – a perfect combination of look and functionality – is the true luminous engine of the system. The light emitted by the LED source is cleverly controlled by a transparent diffuser, designed with an anti-reflex texture, to ensure visual comfort in all usage conditions. Different supports can be assembled on it, all made of carefully processed aluminium, to obtain a variety of versions – suspension, ceiling, reading, table.

PRODUCT CODE: SCENARIOS

FEATURES

- Article Code: **1986010A**
- Colour: **Red**
- Installation: **Wall**
- Material: **Polycarbonate, aluminum, steel**
- Series: **Scenarios**
- design by: **Wilmotte & Industries**

DIMENSIONS

- Width: **cm 22.8**
- Height: **cm 26.7**
- Cutout shape: **Squared**

SOURCES NOT INCLUDED

- Category: **LED RETROFIT**
- Number: **1**
- Watt: **8W**
- Socket: **GU10**
- Voltage: **230V**