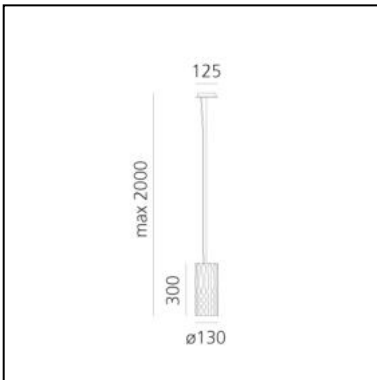


# Fiamma 30 Suspension - Grey

Wilmotte & Industries



IP20   Dimmerable: 



## LUMINAIRE

- Watt: **28W**
- Voltage: **220-240V**
- Delivered lumens output: **1878lm**
- CCT: **3000K**
- Efficiency: **64%**
- Efficacy: **67.07lm/W**
- CRI: **90**
- Dimmable Typology: **Push**

## DESCRIPTION

"Modular and adjustable, Fiamma works with a LED source base and a set of accessories to meet the different needs of lighting in hotels: bedside lamp, floor lamp, wall lamp, suspension light. The look is willing to be « domestic », to feel like being at home, in order to reinforce the cosiness of the object." Fiamma is a systemic lighting element designed to respond to the needs of the contract sector, yet well suited also for everyday living environments. An anodized aluminium cylinder with a specific texture – a perfect combination of look and functionality – is the true luminous engine of the system. The light emitted by the LED source is cleverly controlled by a transparent diffuser, designed with an anti-reflex texture, to ensure visual comfort in all usage conditions. Different supports can be assembled on it, all made of carefully processed aluminium, to obtain a variety of versions – suspension, ceiling, reading, table.

**PRODUCT CODE: 1990010A**

## FEATURES

- Article Code: **1990010A**
- Colour: **Grey**
- Installation: **Suspension**
- Material: **Aluminium**
- Series: **Scenarios**
- design by: **Wilmotte & Industries**

## DIMENSIONS

- Height: **cm 30**
- Diameter: **cm 13**
- Base Length: **cm 12.5**
- Base Width: **cm 12.5**
- Max Height from ceiling: **cm 200**
- Cutout shape: **Squared**

## SOURCES INCLUDED

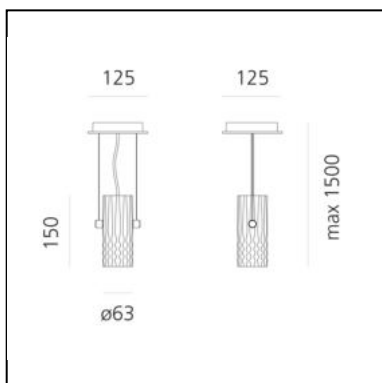
- Category: **Led**
- Number: **1**
- Watt: **24.5W**
- Delivered lumens output: **2914lm**
- Color temperature (K): **3000K**
- CRI: **90**
- Color Tolerance: **MacAdam 2SDCM**
- Efficacy: **119lm/W**

# Fiamma Suspension - Black

Wilmotte & Industries



IP20  Dimmerable: 



## LUMINAIRE

- Watt: **8W**
- Delivered lumens output: **390lm**
- Efficiency: **95%**

## DESCRIPTION

"Modular and adjustable, Fiamma works with a LED source base and a set of accessories to meet the different needs of lighting in hotels: bedside lamp, floor lamp, wall lamp, suspension light. The look is willing to be « domestic », to feel like being at home, in order to reinforce the cosiness of the object." Fiamma is a systemic lighting element designed to respond to the needs of the contract sector, yet well suited also for everyday living environments. An anodized aluminium cylinder with a specific texture – a perfect combination of look and functionality – is the true luminous engine of the system. The light emitted by the LED source is cleverly controlled by a transparent diffuser, designed with an anti-reflex texture, to ensure visual comfort in all usage conditions. Different supports can be assembled on it, all made of carefully processed aluminium, to obtain a variety of versions – suspension, ceiling, reading, table.

## PRODUCT CODE: SCENARIOS

### FEATURES

- Article Code: **1985020A**
- Colour: **Black**
- Installation: **Suspension**
- Material: **Aluminium**
- Series: **Scenarios**
- design by: **Wilmotte & Industries**

### DIMENSIONS

- Height: **cm 15**
- Diameter: **cm 6.3**
- Base Length: **cm 12.5**
- Base Width: **cm 12.5**
- Max Height from ceiling: **cm 150**
- Cutout shape: **Squared**

### SOURCES NOT INCLUDED

- Category: **LED RETROFIT**
- Number: **1**
- Watt: **8W**
- Socket: **GU10**
- Voltage: **230V**