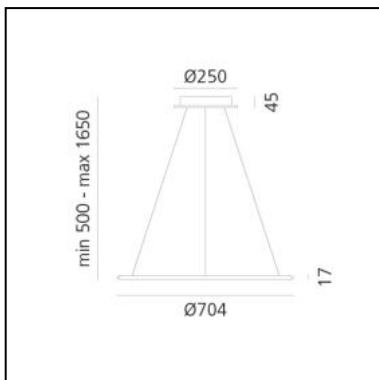


Discovery Suspension - Bronze - App Compatible

Ernesto Gismondi



IP20    Dimmerable: 



LUMINAIRE

- Watt: **40W**
- Voltage: **220-240V**
- Delivered lumens output: **2857lm**
- CCT: **3000K**
- Efficiency: **55%**
- Efficacy: **71.44lm/W**
- CRI: **90**
- Dimmable Typology: **Push & APP**

Notes

DESCRIPTION

Discovery is an unobtrusive, utterly absent and immaterial element. Its volume is only perceived when switched on, thanks to the light that outlines the central emitting surface. The result is a uniform light, ideal for working environments. The company's great optoelectronic skills, combined with a thorough culture of design and with technological know-how, produces a perfectly all-purpose and surprising solution, which translates innovation into emotional perception.

PRODUCT CODE: 1999160APP

FEATURES

- Article Code: **1999160APP**
- Colour: **Bronze**
- Installation: **Suspension**
- Material: **Technopolymer, aluminium**
- Series: **Design Collection**
- Environment: **Indoor**
- design by: **Ernesto Gismondi**

DIMENSIONS

- Height: **cm 1.7**
- Diameter: **cm 70.4**
- Base Diameter: **cm 25**
- Max Height from ceiling: **cm 165**
- Glow Wire Test: **650°**

SOURCES INCLUDED

- Category: **Led**
- Number: **7**
- Watt: **5.4W**
- Delivered lumens output: **648lm**
- Color temperature (K): **3000K**
- CRI: **90**
- Color Tolerance: **MacAdam 3SDCM**
- Efficacy: **120lm/W**
- Service Life: **50000-L70**

Accessories

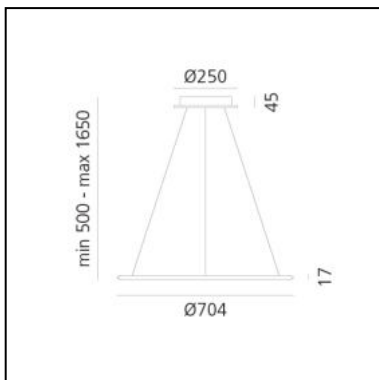
Device for switching and controlling Artemide App products. Max N.3 inputs for external push buttons. Mains power supply required. To be installed inside flush mounting boxes or junction boxes. DV1080APP

Discovery Suspension - Satinized aluminium

Ernesto Gismondi



IP20    Dimmerable: 



LUMINAIRE

- Watt: **40W**
- Voltage: **220-240V**
- Delivered lumens output: **2857lm**
- CCT: **3000K**
- Efficiency: **55%**
- Efficacy: **71.44lm/W**
- CRI: **90**
- Dimmable Typology: **Push/DALI**

DESCRIPTION

Discovery is an unobtrusive, utterly absent and immaterial element. Its volume is only perceived when switched on, thanks to the light that outlines the central emitting surface. The result is a uniform light, ideal for working environments. The company's great optoelectronic skills, combined with a thorough culture of design and with technological know-how, produces a perfectly all-purpose and surprising solution, which translates innovation into emotional perception.

PRODUCT CODE: 1999110A

FEATURES

- Article Code: **1999110A**
- Colour: **Satinized aluminium**
- Installation: **Suspension**
- Material: **Technopolymer, aluminium**
- Series: **Design Collection**
- Environment: **Indoor**
- design by: **Ernesto Gismondi**

DIMENSIONS

- Height: **cm 1.7**
- Diameter: **cm 70.4**
- Base Diameter: **cm 25**
- Max Height from ceiling: **cm 165**
- Glow Wire Test: **650°**

SOURCES INCLUDED

- Category: **Led**
- Number: **7**
- Watt: **5.4W**
- Delivered lumens output: **648lm**
- Color temperature (K): **3000K**
- CRI: **90**
- Color Tolerance: **MacAdam 3SDCM**
- Efficacy: **120lm/W**
- Service Life: **50000-L70**