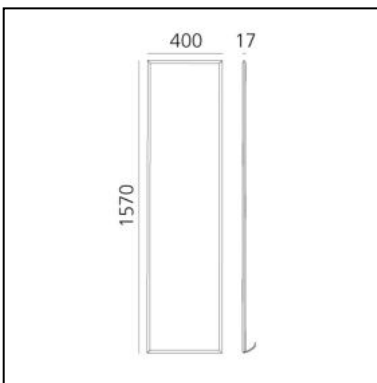


Discovery Floor - White Violet Integralis

Ernesto Gismondi



 Dimmerable: 



LUMINAIRE

DAY MODE

- Watt: **67W**
- Delivered lumens output: **2972lm**
- Radiant Flux: **1804mW (380-450nm)**
- λ peak: **405nm**
- CCT: **2700K**
- CRI: **80**
- Dimmable Typology: **APP**

- Watt: **67W**
- Voltage: **220-240V**
- Delivered lumens output: **31lm**
- Radiant Flux: **5467mW (380-450nm)**
- λ peak: **405nm**
- Dimmable Typology: **APP**

DESCRIPTION

Discovery floor is brought to the essential. The technological innovation applied to the emitting surface enclosed by a black frame becomes the only element that constitutes this floor lamp. The dimensions are re-proportioned with respect to the suspended versions so that it can fit perfectly into any environment simply by leaning freely against the walls in an inclined position.

Available from mid of June 2021

FEATURES

- Article Code: **2040030IN1APP**
- Colour: **Black**
- Installation: **Floor**
- Material: **Technopolymer, aluminium**
- Series: **Design Collection**
- design by: **Ernesto Gismondi**

DIMENSIONS

- Length: **cm 40**
- Height: **cm 157**

Accessories

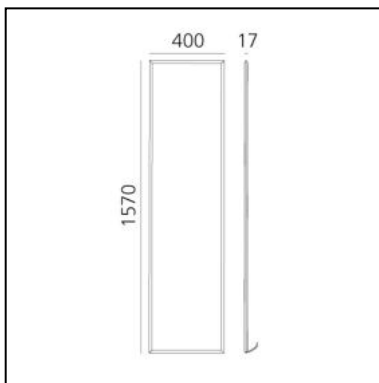
Device for switching and controlling Artemide App products. Max N.3 inputs for external push buttons. Mains power supply required. To be installed inside flush mounting boxes or junction boxes. DV1080APP

Discovery Floor - RGBW

Ernesto Gismondi



IP20 



LUMINAIRE

- Watt: **56W**
- Delivered lumens output: **RGB 1036lm White 1817lm**
- CRI: **80**

Accessories



Device for switching and controlling Artemide App products. Max N.3 inputs for external push buttons. Mains power supply required. To be installed inside flush mounting boxes or junction boxes. DV1080APP

DESCRIPTION

Discovery floor is brought to the essential. The technological innovation applied to the emitting surface enclosed by a black frame becomes the only element that constitutes this floor lamp. The dimensions are re-proportioned with respect to the suspended versions so that it can fit perfectly into any environment simply by leaning freely against the walls in an inclined position.

PRODUCT CODE: 2041030APP

FEATURES

- Article Code: **2041030APP**
- Colour: **Black**
- Installation: **Floor**
- Material: **Technopolymer, aluminium**
- Series: **Design Collection**
- design by: **Ernesto Gismondi**

DIMENSIONS

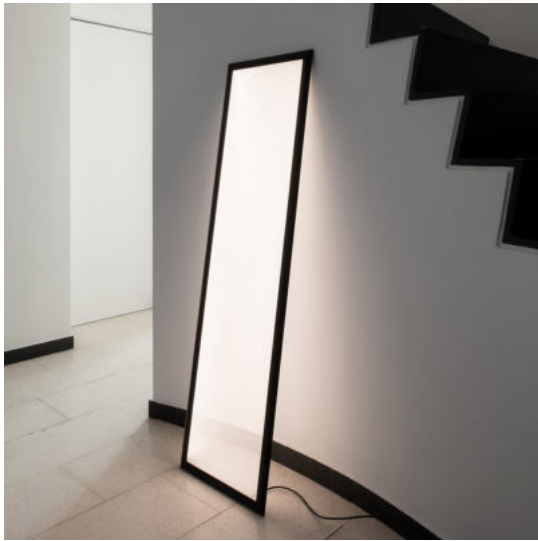
- Length: **cm 40**
- Width: **cm 1.7**
- Height: **cm 157**

SOURCES INCLUDED

- Category: **Led RGBW**
- Number: **1**
- Color Tolerance: **5SDCM**
- Service Life: **Life L90 (6K) 50000h**

Discovery Floor - TW

Ernesto Gismondi

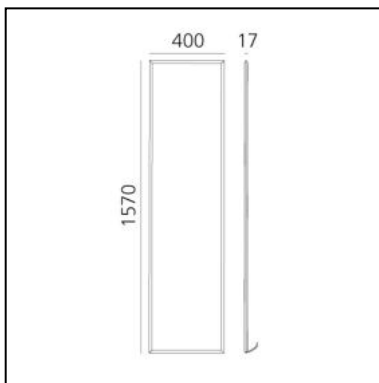


DESCRIPTION

Discovery floor is brought to the essential. The technological innovation applied to the emitting surface enclosed by a black frame becomes the only element that constitutes this floor lamp. The dimensions are re-proportioned with respect to the suspended versions so that it can fit perfectly into any environment simply by leaning freely against the walls in an inclined position.

IP20   

PRODUCT CODE: 2040030APP



FEATURES

- Article Code: **2040030APP**
- Colour: **Black**
- Installation: **Floor**
- Material: **Technopolymer, aluminium**
- Series: **Design Collection**
- design by: **Ernesto Gismondi**

DIMENSIONS

- Length: **cm 40**
- Width: **cm 1.7**
- Height: **cm 157**

SOURCES INCLUDED

- Category: **Led TW**
- Number: **1**
- Watt: **55W**

LUMINAIRE

- Watt: **55W**
- Delivered lumens output: **Warm 2400lm - Cold 2527lm**
- CCT: **2700-6500K**
- CRI: **90**

Accessories



Device for switching and controlling Artemide App products. Max N.3 inputs for external push buttons. Mains power supply required. To be installed inside flush mounting boxes or junction boxes. DV1080APP