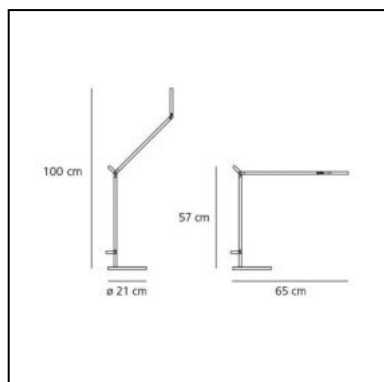


Demetra Table - Movement Detector - 3000K - Body Lamp - Anthracite Grey

Naoto Fukasawa



IP20      Dimmerable: 



LUMINAIRE

- Watt: **8W**
- Voltage: **100-240V**
- Delivered lumens output: **385lm**
- CCT: **3000K**
- Efficiency: **54%**
- Efficacy: **48.08lm/W**
- CRI: **90**
- Dimmer Typology: **Microswitch Dimmer**

Notes

Microswitch dimmer.
Code related only to the body lamp, to be completed with the base/support.

DESCRIPTION

A selection of table lamps (with table base, clamp and fixed support), also available in the reading, wall and spot versions. Materials: head and arms in painted aluminium. Specification: fully adjustable, turnable and tilting arms and diffuser, plus the LED sources integrated into its head. Demetra MD: this table model features a Motion Detector option detecting moving objects and people and turning the light on or off accordingly.

PRODUCT CODE: 1735010A

FEATURES

- Article Code: **1735010A**
- Colour: **Grey anthracite**
- Installation: **Table**
- Material: **aluminium, technopolymer, steel**
- Series: **Design Collection**
- Area contract: **Hospitality, Residential**
- Emission: **Direct and adjustable light**
- design by: **Naoto Fukasawa**

DIMENSIONS

- Length: **cm 31**
- Width: **cm 20**
- Height: **cm 35**
- Base Diameter: **cm 20**
- Max Extension Height: **cm 102**
- Max Extension Length: **cm 100**
- Impact Resistance: **N.D.**
- Glow Wire Test: **750°**

SOURCES INCLUDED

- Category: **Led**
- Number: **1**
- Watt: **6W**
- Delivered lumens output: **726lm**
- Color temperature (K): **3000K**
- CRI: **90**
- Color Tolerance: **MacAdam 2SDCM**
- Efficacy: **120lm/W**
- Service Life: **50000-L70**

Accessories



DEMETRA SUPPORTO T FISSO GRO 1743010A



DEMETRA MORSETTO GRO 1744010A



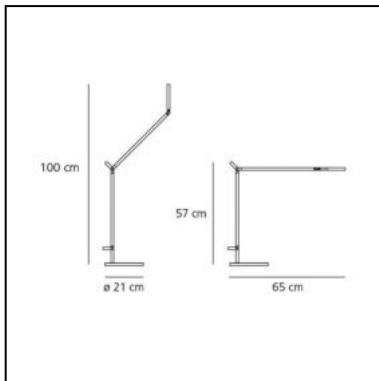
DEMETRA LED T BASE GRO 1733010A

Demetra Table - 2700K - Body Lamp - White

Naoto Fukasawa



IP20      Dimmerable: 



LUMINAIRE

- Watt: **8W**
- Voltage: **100-240V**
- Delivered lumens output: **360lm**
- CCT: **2700K**
- Efficiency: **54%**
- Efficacy: **45.00lm/W**
- CRI: **90**
- Dimmer Typology: **Microswitch Dimmer**

Notes

Microswitch dimmer.
Code related only to the body lamp, to be completed with the base/support.

DESCRIPTION

A selection of table lamps (with table base, clamp and fixed support), also available in the reading, wall and spot versions. Materials: head and arms in painted aluminium. Specification: fully adjustable, turnable and tilting arms and diffuser, plus the LED sources integrated into its head. Demetra MD: this table model features a Motion Detector option detecting moving objects and people and turning the light on or off accordingly.

PRODUCT CODE: 1734W20A

FEATURES

- Article Code: **1734W20A**
- Colour: **White**
- Installation: **Table**
- Material: **aluminium, technopolymer, steel**
- Series: **Design Collection**
- Area contract: **Hospitality, Residential**
- Emission: **Direct and adjustable light**
- design by: **Naoto Fukasawa**

DIMENSIONS

- Length: **cm 31**
- Width: **cm 20**
- Height: **cm 35**
- Base Diameter: **cm 20**
- Max Extension Height: **cm 102**
- Max Extension Length: **cm 100**
- Impact Resistance: **N.D.**
- Glow Wire Test: **750°**

SOURCES INCLUDED

- Category: **Led**
- Number: **1**
- Watt: **8W**
- Delivered lumens output: **730lm**
- Color temperature (K): **2700K**
- CRI: **90**
- Color Tolerance: **MacAdam 2SDCM**

Accessories



DEMETRA LED T BASE BCO 1733020A



DEMETRA MORSETTO BCO 1744020A



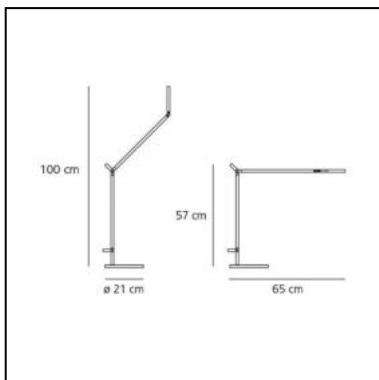
DEMETRA SUPPORTO T FISSO BCO 1743020A

Demetra Table - 3000K - Body Lamp - Opaque Black

Naoto Fukasawa



IP20      Dimmerable: 



LUMINAIRE

- Watt: **8W**
- Voltage: **100-240V**
- Delivered lumens output: **385lm**
- CCT: **3000K**
- Efficiency: **54%**
- Efficacy: **48.08lm/W**
- CRI: **90**
- Dimmer Typology: **Microswitch Dimmer**

Notes

Microswitch dimmer.
Code related only to the body lamp, to be completed with the base/support.

DESCRIPTION

A selection of table lamps (with table base, clamp and fixed support), also available in the reading, wall and spot versions. Materials: head and arms in painted aluminium. Specification: fully adjustable, turnable and tilting arms and diffuser, plus the LED sources integrated into its head. Demetra MD: this table model features a Motion Detector option detecting moving objects and people and turning the light on or off accordingly.

PRODUCT CODE: 1734050A

FEATURES

- Article Code: **1734050A**
- Colour: **Opaque Black**
- Installation: **Table**
- Material: **aluminium, technopolymer, steel**
- Series: **Design Collection**
- Area contract: **Hospitality, Residential**
- Emission: **Direct and adjustable light**
- design by: **Naoto Fukasawa**

DIMENSIONS

- Length: **cm 31**
- Width: **cm 20**
- Height: **cm 35**
- Base Diameter: **cm 20**
- Max Extension Height: **cm 102**
- Max Extension Length: **cm 100**
- Impact Resistance: **N.D.**
- Glow Wire Test: **750°**

SOURCES INCLUDED

- Category: **Led**
- Number: **1**
- Watt: **6W**
- Delivered lumens output: **726lm**
- Color temperature (K): **3000K**
- CRI: **90**
- Color Tolerance: **MacAdam 2SDCM**
- Efficacy: **120lm/W**
- Service Life: **50000-L70**

Accessories



Demetra Morsetto Opaque Black 1744050A



Demetra LED T Base Opaque Black 1733050A



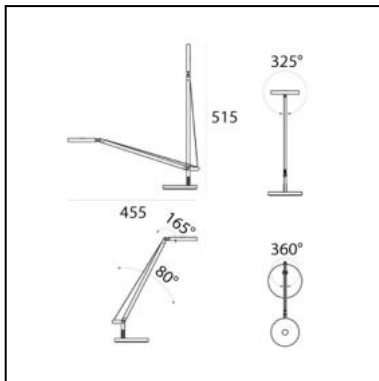
Demetra Supporto T Fisso Opaque Black
1743050A

Demetra Micro Table - 2700K - Anthracite Grey

Naoto Fukasawa



IP20    Dimmerable: 



LUMINAIRE

- Watt: **6W**
- Voltage: **100-240V**
- Delivered lumens output: **241lm**
- CCT: **2700K**
- Efficiency: **49%**
- Efficacy: **40.17lm/W**
- CRI: **90**
- Dimmer Typology: **Microswitch Dimmer**

DESCRIPTION

Demetra micro, in the table and wall version with arm, offers the same freedom of the traditional version, i.e. utmost flexibility in directing light across space. While its power and flow are just slightly reduced compared to the classical version, it has all the same pluses in terms of operation and lighting performance. warm light tone very high Cri 90 light quality maximum performance Dimmable with microswitch located on the appliance's head, it emits warm light with a very high colour yield (Cri 90) Its dimension is therefore minimized to fit into the smallest spaces and to expand the range of potential applications of the entire Demetra family, ideal for work and hospitality locations, as well as for home use.

PRODUCT CODE: 1747W10A

FEATURES

- Article Code: **1747W10A**
- Colour: **Anthracite grey**
- Installation: **Table**
- Material: **aluminium, technopolymer, zamak**
- Series: **Design Collection**
- Environment: **Indoor**
- Emission: **Direct**
- design by: **Naoto Fukasawa**

DIMENSIONS

- Length: **cm 13**
- Width: **cm 12**
- Height: **cm 14**
- Diameter: **cm 10**
- Base Diameter: **cm 12**
- Max Extension Height: **cm 51**
- Max Extension Length: **cm 48**
- Glow Wire Test: **750°**

SOURCES INCLUDED

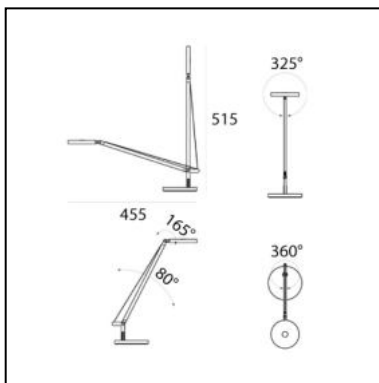
- Category: **Led**
- Number: **1**
- Watt: **6W**
- Delivered lumens output: **730lm**
- Color temperature (K): **2700K**
- CRI: **90**
- Color Tolerance: **MacAdam 2SDCM**

Demetra Micro Table - 3000K - White

Naoto Fukasawa



IP20    Dimmerable: 



LUMINAIRE

- Watt: **6W**
- Voltage: **100-240V**
- Delivered lumens output: **257lm**
- CCT: **3000K**
- Efficiency: **49%**
- Efficacy: **42.82lm/W**
- CRI: **90**
- Dimmer Typology: **Microswitch Dimmer**

DESCRIPTION

Demetra micro, in the table and wall version with arm, offers the same freedom of the traditional version, i.e. utmost flexibility in directing light across space. While its power and flow are just slightly reduced compared to the classical version, it has all the same pluses in terms of operation and lighting performance: warm light tone very high CRI 90 light quality maximum performance Dimmable with microswitch located on the appliance's head, it emits warm light with a very high colour yield (CRI 90) Its dimension is therefore minimized to fit into the smallest spaces and to expand the range of potential applications of the entire Demetra family, ideal for work and hospitality locations, as well as for home use.

PRODUCT CODE: 1747020A

FEATURES

- Article Code: **1747020A**
- Colour: **White**
- Installation: **Table**
- Material: **aluminium, technopolymer, zamak**
- Series: **Design Collection**
- Environment: **Indoor**
- Emission: **Direct**
- design by: **Naoto Fukasawa**

DIMENSIONS

- Length: **cm 13**
- Width: **cm 12**
- Height: **cm 14**
- Diameter: **cm 10**
- Base Diameter: **cm 12**
- Max Extension Height: **cm 51**
- Max Extension Length: **cm 48**
- Glow Wire Test: **750°**

SOURCES INCLUDED

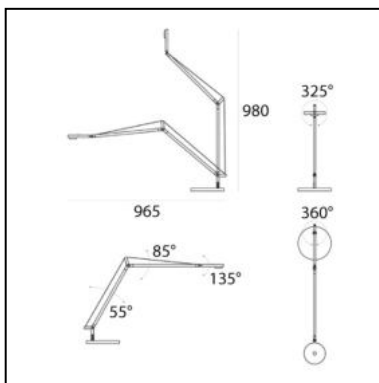
- Category: **Led**
- Number: **1**
- Watt: **6W**
- Delivered lumens output: **780lm**
- Color temperature (K): **3000K**
- CRI: **90**
- Color Tolerance: **MacAdam 2SDCM**

Demetra Professional Table - Movement Detector - 3000K - Body Lamp - Anthracite Grey

Naoto Fukasawa



IP20    Dimmerable: 



LUMINAIRE

- Watt: **12W**
- Delivered lumens output: **960lm**
- CCT: **3000K**
- Efficiency: **84%**
- Efficacy: **80.00lm/W**
- CRI: **90**
- Dimmer Typology: **Microswitch Dimmer**

Notes

Microswitch dimmer.
Code related only to the body lamp, to be completed with the base/support.

DESCRIPTION

The Demetra family is expanded with two new versions to meet varying usage requirements: Demetra Micro and Demetra Professional. While flow emission varies in Demetra Professional, its size is identical to the classical version. It was designed to address the need for a task light with greater flows allowing to obtain high illuminance on the working top. With the advanced LED technology and the adoption of smart elementary solutions, maximum performance is ensured in a minimal product. Its look is the typical essential and linear one of Demetra, but its head is a more complex optical device, designed for more powerful LEDs also through painstaking study of thermal science. The aluminium bottom of the head's body works as a heatsink by taking shape and folding inside the head to accommodate the LED, however without contact and therefore without creating a heat bridge with the top. This allows maximum dissipation, and therefore the use of a high-power COB LED, without affecting its functionality deriving from operation and from direct user relation with the lamp. The top of its head can be safely touched without contact with high temperatures. Emission is controlled by a reflector that slightly protrudes from the head's profile and designs perfect illuminance on the top to create a work station with a high colour yield (Cri 90). The Demetra family becomes more complete to satisfy all the needs of different application fields with flexible and comprehensive solutions, as well as with specific and dedicated ones. Demetra MD: this table model features a Motion Detector option detecting moving objects and people and turning the light on or off accordingly.

PRODUCT CODE: 1740010A

FEATURES

- Article Code: **1740010A**
- Colour: **Grey anthracite**
- Installation: **Table**
- Material: **aluminium, technopolymer, steel**
- Series: **Design Collection**
- Environment: **Indoor**
- Emission: **Direct**
- design by: **Naoto Fukasawa**

DIMENSIONS

- Length: **cm 31**
- Width: **cm 20**
- Height: **cm 35**
- Base Diameter: **cm 20**
- Max Extension Height: **cm 102**
- Max Extension Length: **cm 100**
- Glow Wire Test: **750°**

SOURCES INCLUDED

- Category: **Led**
- Number: **1**
- Watt: **9.37W**
- Delivered lumens output: **1129lm**
- Color temperature (K): **3000K**
- CRI: **90**
- Color Tolerance: **MacAdam 2SDCM**
- Efficacy: **121lm/W**
- Service Life: **50000-L70**

Accessories



DEMETRA SUPPORTO T FISSO GRO 1743010A



DEMETRA MORSETTO GRO 1744010A



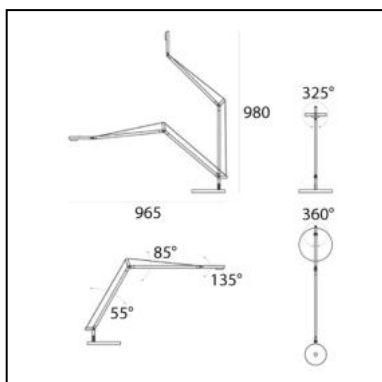
DEMETRA LED T BASE GRO 1733010A

Demetra Professional Table - 3000K - Body Lamp - White

Naoto Fukasawa



IP20    Dimmerable: 



LUMINAIRE

- Watt: **12W**
- Delivered lumens output: **960lm**
- CCT: **3000K**
- Efficiency: **84%**
- Efficacy: **80.00lm/W**
- CRI: **90**
- Dimmer Typology: **Microswitch Dimmer**

Notes

Microswitch dimmer.
Code related only to the body lamp, to be completed with the base/support.

DESCRIPTION

The Demetra family is expanded with two new versions to meet varying usage requirements: Demetra Micro and Demetra Professional. While flow emission varies in Demetra Professional, its size is identical to the classical version. It was designed to address the need for a task light with greater flows allowing to obtain high illuminance on the working top. With the advanced LED technology and the adoption of smart elementary solutions, maximum performance is ensured in a minimal product. Its look is the typical essential and linear one of Demetra, but its head is a more complex optical device, designed for more powerful LEDs also through painstaking study of thermal science. The aluminium bottom of the head's body works as a heatsink by taking shape and folding inside the head to accommodate the LED, however without contact and therefore without creating a heat bridge with the top. This allows maximum dissipation, and therefore the use of a high-power COB LED, without affecting its functionality deriving from operation and from direct user relation with the lamp. The top of its head can be safely touched without contact with high temperatures. Emission is controlled by a reflector that slightly protrudes from the head's profile and designs perfect illuminance on the top to create a work station with a high colour yield (Cri 90). The Demetra family becomes more complete to satisfy all the needs of different application fields with flexible and comprehensive solutions, as well as with specific and dedicated ones.

PRODUCT CODE: 1739020A

FEATURES

- Article Code: **1739020A**
- Colour: **White**
- Installation: **Table**
- Material: **aluminium, technopolymer, steel**
- Series: **Design Collection**
- Environment: **Indoor**
- Emission: **Direct**
- design by: **Naoto Fukasawa**

DIMENSIONS

- Length: **cm 31**
- Width: **cm 20**
- Height: **cm 35**
- Base Diameter: **cm 20**
- Max Extension Height: **cm 102**
- Max Extension Length: **cm 100**
- Glow Wire Test: **750°**

SOURCES INCLUDED

- Category: **Led**
- Number: **1**
- Watt: **9.37W**
- Delivered lumens output: **1129lm**
- Color temperature (K): **3000K**
- CRI: **90**
- Color Tolerance: **MacAdam 2SDCM**
- Efficacy: **121lm/W**
- Service Life: **50000-L70**

Accessories



DEMETRA LED T BASE BCO 1733020A



DEMETRA MORSETTO BCO 1744020A



DEMETRA SUPPORTO T FISSO BCO 1743020A