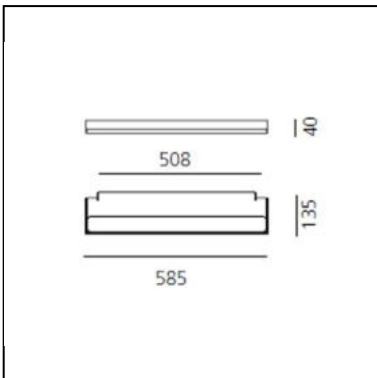


Chocolate Wall LED - L 585 - 16 W 3000 K Undimmable - Moka

a.g Licht



IP20  



LUMINAIRE

- Power Supply: **on/off**
- Watt: **17W**
- Voltage: **220V-240V**
- Delivered lumens output: **1217lm**
- CCT: **3000K**
- Efficiency: **55%**
- Efficacy: **71.56lm/W**
- CRI: **80**

Notes

DESCRIPTION

Wall lamp with direct-indirect lighting using LED technology. Aluminum body. 2 colour options: mocha and white. Optics made of transparent polycarbonate + a PRISMOPTIC diffuser. Light distribution: 37% direct and 63% indirect. Polycarbonate dust protection cover. Electronic control gear. Complies with standard EN60598-1 and other specific standards.

PRODUCT CODE: M112410

FEATURES

- Article Code: **M112410**
- Colour: **Moka**
- Installation: **Wall**
- Material: **Painted Aluminium**
- Series: **Architectural Indoor**
- Area contract: **Hospitality, Office**
- design by: **a.g Licht**

DIMENSIONS

- Length: **cm 58.5**
- Width: **cm 13.5**
- Height: **cm 4**
- Weight: **kg 1.9**
- Glow Wire Test: **850°**

SOURCES INCLUDED

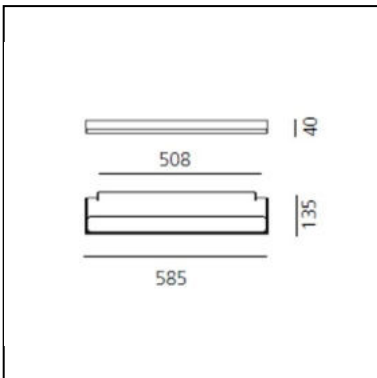
- Category: **Led**
- Number: **1**
- Watt: **14W**
- Delivered lumens output: **2200lm**
- Color temperature (K): **3000K**
- CRI: **=80(min.)**
- Color Tolerance: **MacAdam 3SDCM**
- Efficacy: **157lm/W**
- Service Life: **L70(6K)>50.000h**

Chocolate Wall LED - L 585 - 16 W 4000 K Undimmable - White

a.g Licht



IP20  



LUMINAIRE

- Power Supply: **on/off**
- Watt: **17W**
- Voltage: **220V-240V**
- Delivered lumens output: **1286lm**
- CCT: **4000K**
- Efficiency: **55%**
- Efficacy: **75.64lm/W**
- CRI: **80**

DESCRIPTION

Wall lamp with direct-indirect lighting using LED technology. Aluminum body. 2 colour options: mocha and white. Optics made of transparent polycarbonate + a PRISMOPTIC diffuser. Light distribution: 37% direct and 63% indirect. Polycarbonate dust protection cover. Electronic control gear. Complies with standard EN60598-1 and other specific standards.

PRODUCT CODE: M112520

FEATURES

- Article Code: **M112520**
- Colour: **White**
- Installation: **Wall**
- Material: **Painted Aluminium**
- Series: **Architectural Indoor**
- Area contract: **Hospitality, Office**
- design by: **a.g Licht**

DIMENSIONS

- Length: **cm 58.5**
- Width: **cm 13.5**
- Height: **cm 4**
- Weight: **kg 1.9**
- Glow Wire Test: **850°**

SOURCES INCLUDED

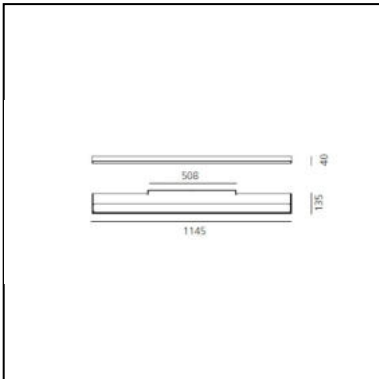
- Category: **Led**
- Number: **1**
- Watt: **14W**
- Delivered lumens output: **2200lm**
- Color temperature (K): **4000K**
- CRI: **=80(min.)**
- Color Tolerance: **MacAdam 3SDCM**
- Efficacy: **157lm/W**
- Service Life: **L70(6K)>50000h**

Chocolate Wall LED - L 1145 - 31 W 3000 K Undimmable - Moka

a.g Licht



IP20  



LUMINAIRE

- Power Supply: **on/off**
- Watt: **32W**
- Voltage: **220V-240V**
- Delivered lumens output: **2394lm**
- CCT: **3000K**
- Efficiency: **55%**
- Efficacy: **74.82lm/W**
- CRI: **80**

DESCRIPTION

Wall lamp with direct-indirect lighting using LED technology. Aluminum body. 2 colour options: mocha and white. Optics made of transparent polycarbonate + a PRISMOPTIC diffuser. Light distribution: 37% direct and 63% indirect. Polycarbonate dust protection cover. Electronic control gear. Complies with standard EN60598-1 and other specific standards.

PRODUCT CODE: M112610

FEATURES

- Article Code: **M112610**
- Colour: **Moka**
- Installation: **Wall**
- Material: **Painted Aluminium**
- Series: **Architectural Indoor**
- Area contract: **Hospitality, Office**
- design by: **a.g Licht**

DIMENSIONS

- Length: **cm 114.5**
- Width: **cm 13.5**
- Height: **cm 4**
- Weight: **kg 3.7**
- Glow Wire Test: **850°**

SOURCES INCLUDED

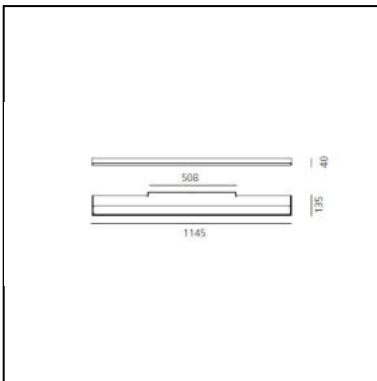
- Category: **Led**
- Number: **1**
- Watt: **28W**
- Delivered lumens output: **41410lm**
- Color temperature (K): **3000K**
- CRI: **=80(min.)**
- Color Tolerance: **MacAdam 4SDCM**
- Efficacy: **148lm/W**
- Service Life: **L70(6K)>50000h**

Chocolate Wall LED - L 1145 - 31 W 4000 K Undimmable - White

a.g Licht



IP20  



LUMINAIRE

- Power Supply: **on/off**
- Watt: **32W**
- Voltage: **220V-240V**
- Delivered lumens output: **2531lm**
- CCT: **4000K**
- Efficiency: **55%**
- Efficacy: **79.08lm/W**
- CRI: **80**

DESCRIPTION

Wall lamp with direct-indirect lighting using LED technology. Aluminum body. 2 colour options: mocha and white. Optics made of transparent polycarbonate + a PRISMOPTIC diffuser. Light distribution: 37% direct and 63% indirect. Polycarbonate dust protection cover. Electronic control gear. Complies with standard EN60598-1 and other specific standards.

PRODUCT CODE: M112720

FEATURES

- Article Code: **M112720**
- Colour: **White**
- Installation: **Wall**
- Material: **Painted Aluminium**
- Series: **Architectural Indoor**
- Area contract: **Hospitality, Office**
- design by: **a.g Licht**

DIMENSIONS

- Length: **cm 114.5**
- Width: **cm 13.5**
- Height: **cm 4**
- Weight: **kg 3.7**
- Glow Wire Test: **850°**

SOURCES INCLUDED

- Category: **Led**
- Number: **1**
- Watt: **28W**
- Delivered lumens output: **4400lm**
- Color temperature (K): **4000K**
- Color Tolerance: **MacAdam 4SDCM**
- Efficacy: **157lm/W**
- Service Life: **L70(6K)>50000h**