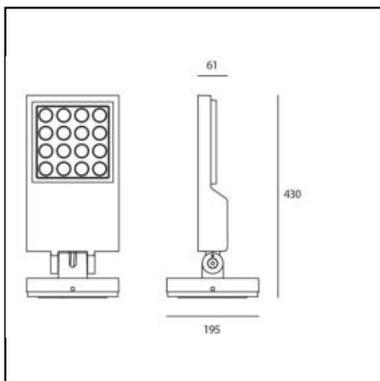


# Cefiso 20 - 40° 3000K Anthracite gray

Alessandro Pedretti



IP65   



## LUMINAIRE

- Watt: **37W**
- Voltage: **220V-240V**
- Delivered lumens output: **2110lm**
- CCT: **3000K**
- Efficiency: **81%**
- Efficacy: **57.04lm/W**
- CRI: **80**

## DESCRIPTION

Light fixture with adjustable direct emission, with high-performance LED light sources. Floor, wall and eaves installation. 2 sizes: Cefiso 14, Cefiso 20. Available in two finishes: grey-white and anthracite grey painted. Consist of adjustable lighting unit and terminal board. Rotation on the base +/-180°, body tilting +/-90° by means of a graduated metal ring allowing an accurate adjustment. Positioning is maintained by means of locking dowels. Body and terminal board in EN AB44100 aluminium, silicone gaskets. Electronic ballast integrated in the body. Silkscreened tempered glass siliconed flush with the body to avoid backwater. Wiring to be carried out inside the terminal board by piercing an IP65 grommet suitable for cables with a diameter of 8-13 mm. PMMA lenses in 3 different versions of beams. White monochromatic LEDs available in 3 colour temperatures: Warm = 3000K Neutral = 4000K Screws in AISI 316 stainless steel. Painted die-cast aluminium with 3-stage outdoor treatment: nanotechnologies, antioxidant primer, polyester paint. Technical features of light fixtures in compliance with EN60598-1 and part 2-5. IP Rating IP65. ENEC approved. Insulation class I.

**PRODUCT CODE: T418139W10**

## FEATURES

- Article Code: **T418139W10**
- Colour: **Anthracite gray**
- Installation: **FloorWall**
- Material: **Aluminum, tempered glass, methacrylate**
- Series: **Architectural Outdoor**
- Environment: **Outdoor**
- Area contract: **Outdoor**
- design by: **Alessandro Pedretti**

## DIMENSIONS

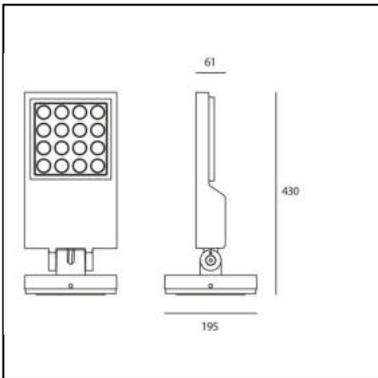
- Width: **cm 6.1**
- Height: **cm 43**
- Base Width: **cm 19.5**
- Impact Resistance: **IK10**

## SOURCES INCLUDED

- Category: **Led**
- Number: **1**
- Watt: **38W**
- Color temperature (K): **3000K**
- CRI: **80 typ**

# Cefiso 20 - 5,4° 3000K Gray/white

Alessandro Pedretti



## LUMINAIRE

- Watt: **37W**
- Voltage: **220V-240V**
- Delivered lumens output: **2189lm**
- CCT: **3000K**
- Efficiency: **84%**
- Efficacy: **59.15lm/W**
- CRI: **80**

## DESCRIPTION

Light fixture with adjustable direct emission, with high-performance LED light sources. Floor, wall and eaves installation. 2 sizes: Cefiso 14, Cefiso 20. Available in two finishes: grey-white and anthracite grey painted. Consist of adjustable lighting unit and terminal board. Rotation on the base +/-180°, body tilting +/-90° by means of a graduated metal ring allowing an accurate adjustment. Positioning is maintained by means of locking dowels. Body and terminal board in EN AB44100 aluminium, silicone gaskets. Electronic ballast integrated in the body. Silkscreened tempered glass siliconed flush with the body to avoid backwater. Wiring to be carried out inside the terminal board by piercing an IP65 grommet suitable for cables with a diameter of 8-13 mm. PMMA lenses in 3 different versions of beams. White monochromatic LEDs available in 3 colour temperatures: Warm = 3000K Neutral = 4000K Screws in AISI 316 stainless steel. Painted die-cast aluminium with 3-stage outdoor treatment: nanotechnologies, antioxidant primer, polyester paint. Technical features of light fixtures in compliance with EN60598-1 and part 2-5. IP Rating IP65. ENEC approved. Insulation class I.

## PRODUCT CODE: T418110W00

## FEATURES

- Article Code: **T418110W00**
- Colour: **Gray/white**
- Installation: **FloorWall**
- Material: **Aluminum, tempered glass, methacrylate**
- Series: **Architectural Outdoor**
- Environment: **Outdoor**
- Area contract: **Outdoor**
- design by: **Alessandro Pedretti**

## DIMENSIONS

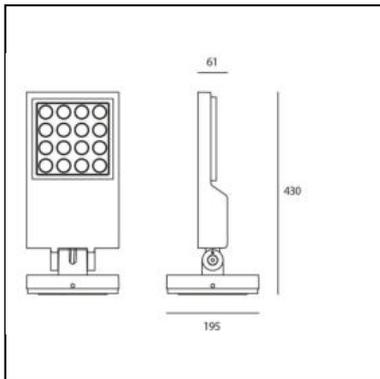
- Width: **cm 6.1**
- Height: **cm 43**
- Base Width: **cm 19.5**
- Impact Resistance: **IK10**

## SOURCES INCLUDED

- Category: **Led**
- Number: **1**
- Watt: **38W**
- Color temperature (K): **3000K**
- CRI: **80 typ**

# Cefiso 20 - EL (WW) 3000K Anthracite gray

Alessandro Pedretti



## LUMINAIRE

- Watt: **37W**
- Voltage: **220V-240V**
- Delivered lumens output: **2137lm**
- CCT: **3000K**
- Efficiency: **82%**
- Efficacy: **57.74lm/W**
- CRI: **80**

## DESCRIPTION

Light fixture with adjustable direct emission, with high-performance LED light sources. Floor, wall and eaves installation. 2 sizes: Cefiso 14, Cefiso 20. Available in two finishes: grey-white and anthracite grey painted. Consist of adjustable lighting unit and terminal board. Rotation on the base  $\pm 180^\circ$ , body tilting  $\pm 90^\circ$  by means of a graduated metal ring allowing an accurate adjustment. Positioning is maintained by means of locking dowels. Body and terminal board in EN AB44100 aluminium, silicone gaskets. Electronic ballast integrated in the body. Silkscreened tempered glass siliconed flush with the body to avoid backwater. Wiring to be carried out inside the terminal board by piercing an IP65 grommet suitable for cables with a diameter of 8-13 mm. PMMA lenses in 3 different versions of beams. White monochromatic LEDs available in 3 colour temperatures: Warm = 3000K Neutral = 4000K Screws in AISI 316 stainless steel. Painted die-cast aluminium with 3-stage outdoor treatment: nanotechnologies, antioxidant primer, polyester paint. Technical features of light fixtures in compliance with EN60598-1 and part 2-5. IP Rating IP65. ENEC approved. Insulation class I.

## PRODUCT CODE: T4181ELW10

## FEATURES

- Article Code: **T4181ELW10**
- Colour: **Anthracite gray**
- Installation: **FloorWall**
- Material: **Aluminum, tempered glass, methacrylate**
- Series: **Architectural Outdoor**
- Environment: **Outdoor**
- Area contract: **Outdoor**
- design by: **Alessandro Pedretti**

## DIMENSIONS

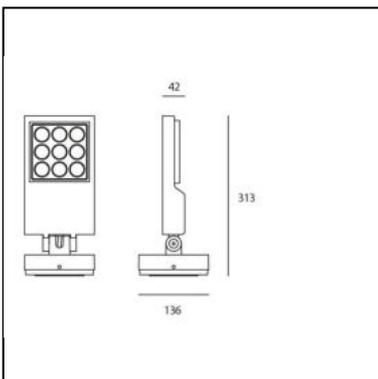
- Width: **cm 6.1**
- Height: **cm 43**
- Base Width: **cm 19.5**
- Impact Resistance: **IK10**

## SOURCES INCLUDED

- Category: **Led**
- Number: **1**
- Watt: **38W**
- Color temperature (K): **3000K**
- CRI: **80 typ**

# Cefiso 14 - EL (WW) 3000K Gray/white

Alessandro Pedretti



## LUMINAIRE

- Watt: **23W**
- Voltage: **220V-240V**
- Delivered lumens output: **1198lm**
- CCT: **3000K**
- Efficiency: **82%**
- Efficacy: **52.10lm/W**

## DESCRIPTION

Light fixture with adjustable direct emission, with high-performance LED light sources. Floor, wall and eaves installation. 2 sizes: Cefiso 14, Cefiso 20. Available in two finishes: grey-white and anthracite grey painted. Consist of adjustable lighting unit and terminal board. Rotation on the base  $\pm 180^\circ$ , body tilting  $\pm 90^\circ$  by means of a graduated metal ring allowing an accurate adjustment. Positioning is maintained by means of locking dowels. Body and terminal board in EN AB44100 aluminium, silicone gaskets. Electronic ballast integrated in the body. Silkscreened tempered glass siliconed flush with the body to avoid backwater. Wiring to be carried out inside the terminal board by piercing an IP65 grommet suitable for cables with a diameter of 8-13 mm. PMMA lenses in 3 different versions of beams. White monochromatic LEDs available in 3 colour temperatures: Warm = 3000K Neutral = 4000K Screws in AISI 316 stainless steel. Painted die-cast aluminium with 3-stage outdoor treatment: nanotechnologies, antioxidant primer, polyester paint. Technical features of light fixtures in compliance with EN60598-1 and part 2-5. IP Rating IP65. ENEC approved. Insulation class I.

## PRODUCT CODE: T4180ELW00

## FEATURES

- Article Code: **T4180ELW00**
- Colour: **Gray/white**
- Installation: **FloorWall**
- Material: **Aluminum, tempered glass, methacrylate**
- Series: **Architectural Outdoor**
- Environment: **Outdoor**
- Area contract: **Outdoor**
- design by: **Alessandro Pedretti**

## DIMENSIONS

- Width: **cm 4.2**
- Height: **cm 31.3**
- Base Width: **cm 13.6**
- Impact Resistance: **IK10**

## SOURCES INCLUDED

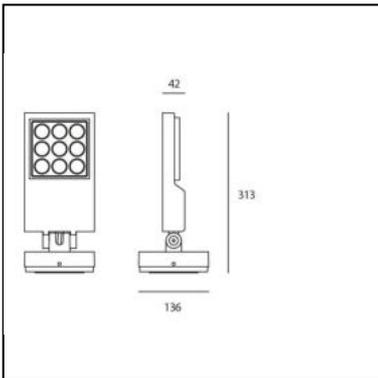
- Category: **Led**
- Number: **1**
- Watt: **23W**
- Color temperature (K): **3000K**
- CRI: **80**

# Cefiso 14 - 40° 3000K Anthracite gray

Alessandro Pedretti



IP65   



## LUMINAIRE

- Watt: **23W**
- Voltage: **220V-240V**
- Delivered lumens output: **1187lm**
- CCT: **3000K**
- Efficiency: **81%**
- Efficacy: **51.61lm/W**

## DESCRIPTION

Light fixture with adjustable direct emission, with high-performance LED light sources. Floor, wall and eaves installation. 2 sizes: Cefiso 14, Cefiso 20. Available in two finishes: grey-white and anthracite grey painted. Consist of adjustable lighting unit and terminal board. Rotation on the base  $\pm 180^\circ$ , body tilting  $\pm 90^\circ$  by means of a graduated metal ring allowing an accurate adjustment. Positioning is maintained by means of locking dowels. Body and terminal board in EN AB44100 aluminium, silicone gaskets. Electronic ballast integrated in the body. Silkscreened tempered glass siliconed flush with the body to avoid backwater. Wiring to be carried out inside the terminal board by piercing an IP65 grommet suitable for cables with a diameter of 8-13 mm. PMMA lenses in 3 different versions of beams. White monochromatic LEDs available in 3 colour temperatures: Warm = 3000K Neutral = 4000K Screws in AISI 316 stainless steel. Painted die-cast aluminium with 3-stage outdoor treatment: nanotechnologies, antioxidant primer, polyester paint. Technical features of light fixtures in compliance with EN60598-1 and part 2-5. IP Rating IP65. ENEC approved. Insulation class I.

**PRODUCT CODE: T418039W10**

## FEATURES

- Article Code: **T418039W10**
- Colour: **Anthracite gray**
- Installation: **FloorWall**
- Material: **Aluminum, tempered glass, methacrylate**
- Series: **Architectural Outdoor**
- Environment: **Outdoor**
- Area contract: **Outdoor**
- design by: **Alessandro Pedretti**

## DIMENSIONS

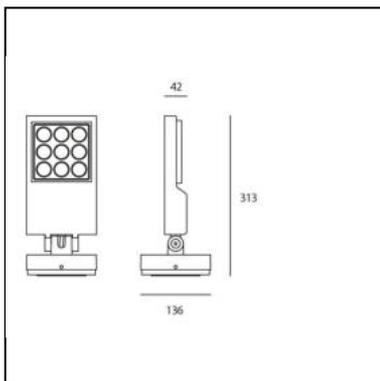
- Width: **cm 4.2**
- Height: **cm 31.3**
- Base Width: **cm 13.6**
- Impact Resistance: **IK10**

## SOURCES INCLUDED

- Category: **Led**
- Number: **1**
- Watt: **23W**
- Color temperature (K): **3000K**
- CRI: **80**

# Cefiso 14 - 5,4° 3000K Gray/white

Alessandro Pedretti



## LUMINAIRE

- Watt: **23W**
- Voltage: **220V-240V**
- Delivered lumens output: **1231lm**
- CCT: **3000K**
- Efficiency: **84%**
- Efficacy: **53.53lm/W**

## DESCRIPTION

Light fixture with adjustable direct emission, with high-performance LED light sources. Floor, wall and eaves installation. 2 sizes: Cefiso 14, Cefiso 20. Available in two finishes: grey-white and anthracite grey painted. Consist of adjustable lighting unit and terminal board. Rotation on the base +/-180°, body tilting +/-90° by means of a graduated metal ring allowing an accurate adjustment. Positioning is maintained by means of locking dowels. Body and terminal board in EN AB44100 aluminium, silicone gaskets. Electronic ballast integrated in the body. Silkscreened tempered glass siliconed flush with the body to avoid backwater. Wiring to be carried out inside the terminal board by piercing an IP65 grommet suitable for cables with a diameter of 8-13 mm. PMMA lenses in 3 different versions of beams. White monochromatic LEDs available in 3 colour temperatures: Warm = 3000K Neutral = 4000K Screws in AISI 316 stainless steel. Painted die-cast aluminium with 3-stage outdoor treatment: nanotechnologies, antioxidant primer, polyester paint. Technical features of light fixtures in compliance with EN60598-1 and part 2-5. IP Rating IP65. ENEC approved. Insulation class I.

## PRODUCT CODE: T418010W00

## FEATURES

- Article Code: **T418010W00**
- Colour: **Gray/white**
- Installation: **FloorWall**
- Material: **Aluminum, tempered glass, methacrylate**
- Series: **Architectural Outdoor**
- Environment: **Outdoor**
- Area contract: **Outdoor**
- design by: **Alessandro Pedretti**

## DIMENSIONS

- Width: **cm 4.2**
- Height: **cm 31.3**
- Base Width: **cm 13.6**
- Impact Resistance: **IK10**

## SOURCES INCLUDED

- Category: **Led**
- Number: **1**
- Watt: **23W**
- Color temperature (K): **3000K**
- CRI: **80**