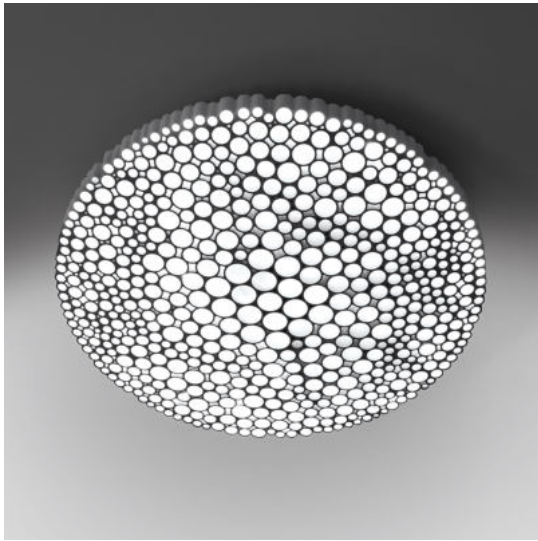
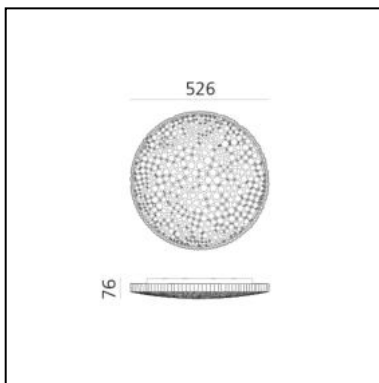


# Calipso 2700K - App Compatible

Neil Poulton



IP20    Dimmerable: 



## LUMINAIRE

- Watt: **55W**
- Voltage: **220-240V**
- Delivered lumens output: **2884lm**
- CCT: **2700K**
- Efficiency: **56%**
- Efficacy: **52.43lm/W**
- CRI: **90**
- Dimmable Typology: **Push & APP**

## Notes

The APP driver can not be controlled by DALI dimming system and viceversa.

## DESCRIPTION

The unique honeycomb grill of Calipso was generated by feeding a photo of the moon into an image-based algorithm found on a seemingly extinct computer. The resulting fractal shape, an impure geometry that displays the irregular beauty of nature, is built from an organic honeycomb of different diameter tubes, seemingly arranged in a random geometry. This honeycomb characterizes the lamp both aesthetically and optically - not only is it visually pleasing, but it also provides an even and comfortable light emission. The result is a highly emotional lighting object that joins together optical and aesthetic intelligence. A product positioned perfectly half-way between home and professional use, Calipso is suited to a variety of applications - expressing Artemide's traditional approach to deliver high performance lighting with a unique and emotional expressiveness.

**PRODUCT CODE: 0210W10APP**

## FEATURES

- Article Code: **0210W10APP**
- Colour: **White**
- Installation: **CeilingWall**
- Material: **Tecopolymer**
- Series: **Design Collection, Architectural Indoor**
- Environment: **Indoor**
- Emission: **Direct**
- design by: **Neil Poulton**

## DIMENSIONS

- Width: **cm 7.6**
- Diameter: **cm 52.6**
- Glow Wire Test: **650°**

## SOURCES INCLUDED

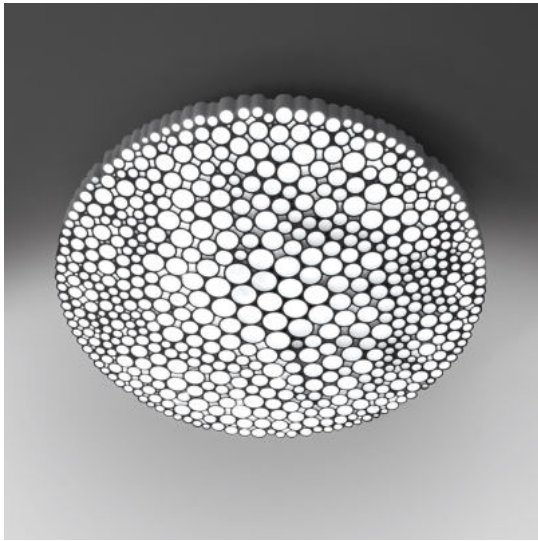
- Category: **Led**
- Number: **4**
- Watt: **10.8W**
- Delivered lumens output: **1214lm**
- Color temperature (K): **2700K**
- CRI: **90**
- Color Tolerance: **MacAdam 3SDCM**
- Efficacy: **112lm/W**
- Service Life: **50000-L70**

**Accessories**

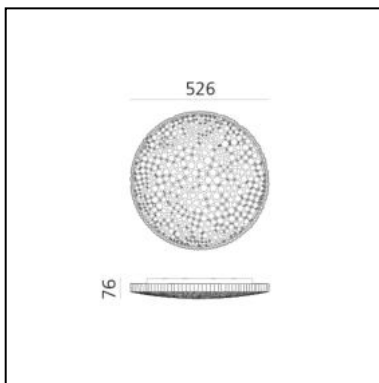
Device for switching and controlling Artemide App products. Max N.3 inputs for external push buttons. Mains power supply required. To be installed inside flush mounting boxes or junction boxes. DV1080APP

# Calipso 3000K - App Compatible

Neil Poulton



IP20    Dimmerable: 



## LUMINAIRE

- Watt: **55W**
- Voltage: **220-240V**
- Delivered lumens output: **2884lm**
- CCT: **3000K**
- Efficiency: **56%**
- Efficacy: **52.43lm/W**
- CRI: **90**
- Dimmable Typology: **Push & APP**

## Notes

The APP driver can not be controlled by DALI dimming system and viceversa.

## DESCRIPTION

The unique honeycomb grill of Calipso was generated by feeding a photo of the moon into an image-based algorithm found on a seemingly extinct computer. The resulting fractal shape, an impure geometry that displays the irregular beauty of nature, is built from an organic honeycomb of different diameter tubes, seemingly arranged in a random geometry. This honeycomb characterizes the lamp both aesthetically and optically - not only is it visually pleasing, but it also provides an even and comfortable light emission. The result is a highly emotional lighting object that joins together optical and aesthetic intelligence. A product positioned perfectly half-way between home and professional use, Calipso is suited to a variety of applications - expressing Artemide's traditional approach to deliver high performance lighting with a unique and emotional expressiveness.

**PRODUCT CODE: 0210010APP**

## FEATURES

- Article Code: **0210010APP**
- Colour: **White**
- Installation: **CeilingWall**
- Material: **Tecnopolymer**
- Series: **Design Collection, Architectural Indoor**
- Environment: **Indoor**
- Emission: **Direct**
- design by: **Neil Poulton**

## DIMENSIONS

- Width: **cm 7.6**
- Diameter: **cm 52.6**
- Glow Wire Test: **650°**

## SOURCES INCLUDED

- Category: **Led**
- Number: **4**
- Watt: **10.8W**
- Delivered lumens output: **1214lm**
- Color temperature (K): **3000K**
- CRI: **90**
- Color Tolerance: **MacAdam 3SDCM**
- Efficacy: **112lm/W**
- Service Life: **50000-L70**

**Accessories**

Device for switching and controlling Artemide App products. Max N.3 inputs for external push buttons. Mains power supply required. To be installed inside flush mounting boxes or junction boxes. DV1080APP