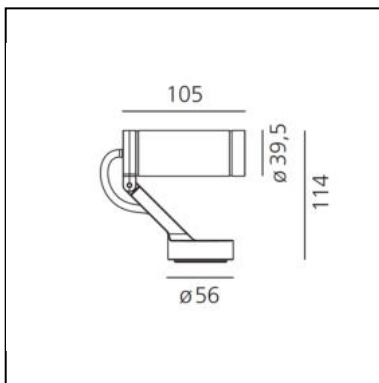


# Obice Micro - 23° IP65 - White

Alessandro Pedretti



IP65 



## LUMINAIRE

- Watt: **3W**
- Voltage: **220/240Vac**
- Delivered lumens output: **112lm**
- CCT: **3000K**
- Efficiency: **84%**
- Efficacy: **37.40lm/W**
- CRI: **80**

## DESCRIPTION

Light fixture with high-performance LED light sources. Wall installation. Composed by: body, adjustable joint, terminal board and protective screen. Body in injection mould of aluminium. Terminal base and adjustable joint in injection mould of aluminium. Protection screen in tempered glass, 3mm-thick, with black opal serigraphy. Integrated driver. Tilting angle +35°/-125°. Rotation on horizontal axis: 359°. Wiring to be carried out by means of a plug located in the terminal base. Technical features of light fixtures in compliance with EN60598-1. Installation must be carried out by specialized personnel. Carefully follow the instructions.

**PRODUCT CODE: T4314FLW20**

## FEATURES

- Article Code: **T4314FLW20**
- Colour: **White**
- Installation: **WallCeiling**
- Material: **Steel, silk screened glass**
- Series: **Architectural Outdoor**
- design by: **Alessandro Pedretti**

## DIMENSIONS

- Length: **cm 10.5**
- Height: **cm 11.4**
- Diameter: **cm 4**
- Base Diameter: **cm 5.6**
- Weight: **kg 0.3**


## SOURCES INCLUDED

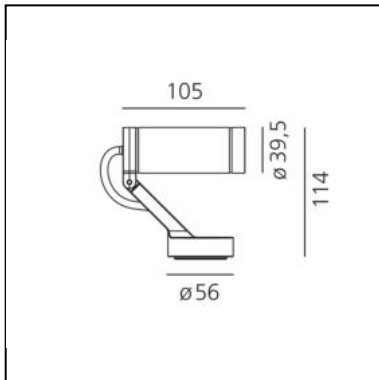
- Category: **Led**
- Number: **1**
- Watt: **3W**
- Color temperature (K): **3000K**
- CRI: **80**

# Obice Micro - 32° IP65 - Black

Alessandro Pedretti



IP65 



## LUMINAIRE

- Watt: **3W**
- Voltage: **220/240Vac**
- Delivered lumens output: **115lm**
- CCT: **3000K**
- Efficiency: **87%**
- Efficacy: **38.41lm/W**
- CRI: **80**

## DESCRIPTION

Light fixture with high-performance LED light sources. Wall installation. Composed by: body, adjustable joint, terminal board and protective screen. Body in injection mould of aluminium. Terminal base and adjustable joint in injection mould of aluminium. Protection screen in tempered glass, 3mm-thick, with black opal serigraphy. Integrated driver. Tilting angle +35°/-125° Rotation on horizontal axis: 359°. Wiring to be carried out by means of a plug located in the terminal base. Technical features of light fixtures in compliance with EN60598-1. Installation must be carried out by specialized personnel. Carefully follow the instructions.

**PRODUCT CODE: T4314WFLW20**

## FEATURES

- Article Code: **T4314WFLW20**
- Colour: **Black**
- Installation: **WallCeiling**
- Material: **Steel, silk screened glass**
- Series: **Architectural Outdoor**
- design by: **Alessandro Pedretti**

## DIMENSIONS

- Length: **cm 10.5**
- Height: **cm 11.4**
- Diameter: **cm 4**
- Base Diameter: **cm 5.6**
- Weight: **kg 0.3**

## SOURCES INCLUDED

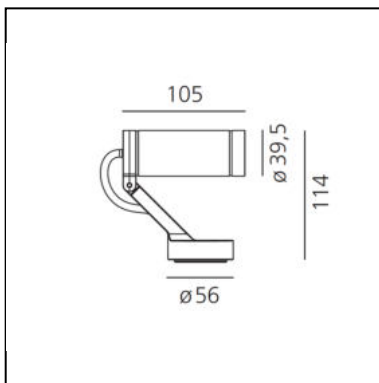
- Category: **Led**
- Number: **1**
- Watt: **3W**
- Color temperature (K): **3000K**
- CRI: **80**

# Obice Micro - 23° IP40 - White

Alessandro Pedretti



IP40 



## LUMINAIRE

- Watt: **3W**
- Voltage: **220/240Vac**
- Delivered lumens output: **112lm**
- CCT: **3000K**
- Efficiency: **84%**
- Efficacy: **37.40lm/W**
- CRI: **80**

## DESCRIPTION

Light fixture with high-performance LED light sources. Wall installation. Composed by: body, adjustable joint, terminal board and protective screen. Body in injection mould of aluminium. Terminal base and adjustable joint in injection mould of aluminium. Protection screen in tempered glass, 3mm-thick, with black opal serigraphy. Integrated driver. Tilting angle +35°/-125° Rotation on horizontal axis: 359°. Wiring to be carried out by means of a plug located in the terminal base. Technical features of light fixtures in compliance with EN60598-1. Installation must be carried out by specialized personnel. Carefully follow the instructions.

**PRODUCT CODE: M3160FLW20**

## FEATURES

- Article Code: **M3160FLW20**
- Colour: **White**
- Installation: **WallCeiling**
- Material: **Steel, silk screened glass**
- Series: **Architectural Outdoor**
- design by: **Alessandro Pedretti**

## DIMENSIONS

- Length: **cm 10.5**
- Height: **cm 11.4**
- Diameter: **cm 4**
- Base Diameter: **cm 5.6**
- Weight: **kg 0.3**

## SOURCES INCLUDED

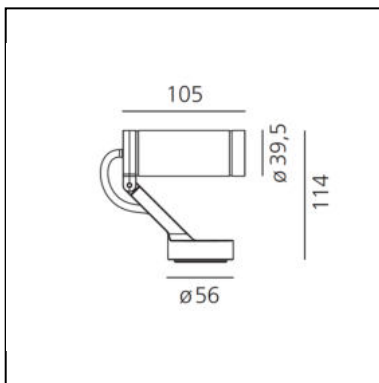
- Category: **Led**
- Number: **1**
- Watt: **3W**
- Color temperature (K): **3000K**
- CRI: **80**

# Obice Micro - 32° IP40 - Black

Alessandro Pedretti



IP40 



## LUMINAIRE

- Watt: **3W**
- Voltage: **220/240Vac**
- Delivered lumens output: **115lm**
- CCT: **3000K**
- Efficiency: **87%**
- Efficacy: **38.41lm/W**
- CRI: **80**

## DESCRIPTION

Light fixture with high-performance LED light sources. Wall installation. Composed by: body, adjustable joint, terminal board and protective screen. Body in injection mould of aluminium. Terminal base and adjustable joint in injection mould of aluminium. Protection screen in tempered glass, 3mm-thick, with black opal serigraphy. Integrated driver. Tilting angle +35°/-125°. Rotation on horizontal axis: 359°. Wiring to be carried out by means of a plug located in the terminal base. Technical features of light fixtures in compliance with EN60598-1. Installation must be carried out by specialized personnel. Carefully follow the instructions.

**PRODUCT CODE: M3160WFLW10**

## FEATURES

- Article Code: **M3160WFLW10**
- Colour: **Black**
- Installation: **WallCeiling**
- Material: **Steel, silk screened glass**
- Series: **Architectural Outdoor**
- design by: **Alessandro Pedretti**

## DIMENSIONS

- Length: **cm 10.5**
- Height: **cm 11.4**
- Diameter: **cm 4**
- Base Diameter: **cm 5.6**
- Weight: **kg 0.3**

## SOURCES INCLUDED

- Category: **Led**
- Number: **1**
- Watt: **3W**
- Color temperature (K): **3000K**
- CRI: **80**