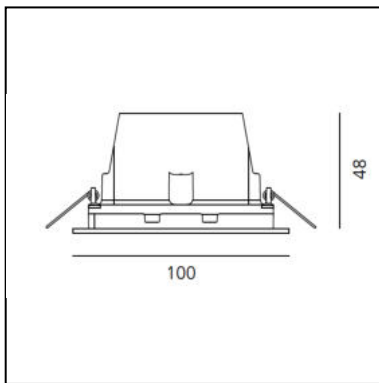


# Aria Mini - 6W 3000K - IP65 - Black



IP65 



## LUMINAIRE

- Watt: **6W**
- Delivered lumens output: **215lm**
- CCT: **3000K**
- Efficiency: **37%**
- Efficacy: **35.87lm/W**
- CRI: **85**

## DESCRIPTION

Light fixture with high-performance LED light sources. Wall or ceiling installation. Composed by: frame, body, asymmetrical reflector, fixing springs or housing. Body in injection mould of aluminium. Frame in aluminium. Body and frame are painted with outdoor treatment three stages: nanotechnologies, antioxidant primer, polyester paint. Metalized polycarbonate reflector. Silicone gasket. Protection screen in tempered glass, 3mm-thick. Housing in bend metal. Electrical connection to the ballast by means of a cable with appropriate terminal board supplied with the fixture. White monochromatic LEDs available in 2 colour temperatures: Warm = 3000K Neutral = 4000K IP Rating IP65 or IP40. Insulation class III. Technical features of light fixtures in compliance with EN60598-1. Installation must be carried out by specialized personnel. Carefully follow the instructions.

**PRODUCT CODE: AJ10004**

## FEATURES

- Article Code: **AJ10004**
- Colour: **Black**
- Installation: **WallCeiling**
- Material: **Aluminum, polycarbonate, tempered glass**
- Series: **Architectural Outdoor**
- Environment: **Outdoor**

## DIMENSIONS

- Length: **cm 10**
- Height: **cm 10**
- Recessed depth: **cm 4.8**
- Cutout shape: **Squared**
- Weight: **kg 0.6**

## SOURCES INCLUDED

- Category: **Led**
- Number: **1**
- Watt: **6W**
- Color temperature (K): **3000K**

**Accessories**

NO  
IMAGE  
AVAILABLE

ALIMENT. 8,4W 350mA (indip.) NL19032

NO  
IMAGE  
AVAILABLE

ALIMENT. 12W 700mA IP67 NL19024

NO  
IMAGE  
AVAILABLE

ALIMENT. 5W 350mA IP67 NL11022

NO  
IMAGE  
AVAILABLE

Driver 20W - 700mA - 220-240 Vac - 125x38x23  
(LxWxH) - Undimmable NL19036

NO  
IMAGE  
AVAILABLE

ALIMENT. 35W 700mA IP67 NL19029

NO  
IMAGE  
AVAILABLE

Driver 10W - 700mA 220-240 Vac - 75x38x25  
(LxWxH) - IP20 - Undimable NL19035

NO  
IMAGE  
AVAILABLE

Area Mini Cassaforma AJ90000

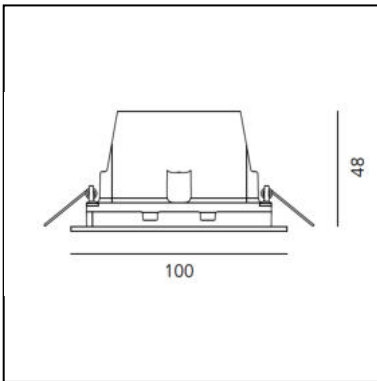
# Aria Mini - 6W 3000K - IP40 - Black



## DESCRIPTION

Light fixture with high-performance LED light sources. Wall or ceiling installation. Composed by: frame, body, asymmetrical reflector, fixing springs or housing. Body in injection mould of aluminium. Frame in aluminium. Body and frame are painted with outdoor treatment three stages: nanotechnologies, antioxidant primer, polyester paint. Metalized polycarbonate reflector. Silicone gasket. Protection screen in tempered glass, 3mm-thick. Housing in bend metal. Electrical connection to the ballast by means of a cable with appropriate terminal board supplied with the fixture. White monochromatic LEDs available in 2 colour temperatures: Warm = 3000K Neutral = 4000K IP Rating IP65 or IP40. Insulation class III. Technical features of light fixtures in compliance with EN60598-1. Installation must be carried out by specialized personnel. Carefully follow the instructions.

IP40 



**PRODUCT CODE: AJ30004**

## FEATURES

- Article Code: **AJ30004**
- Colour: **Black**
- Installation: **WallCeiling**
- Material: **Aluminum, polycarbonate, tempered glass**
- Series: **Architectural Outdoor**
- Environment: **Outdoor**

## DIMENSIONS

- Length: **cm 10**
- Height: **cm 10**
- Recessed depth: **cm 4.8**
- Cutout shape: **Squared**
- Weight: **kg 0.6**

## SOURCES INCLUDED

- Category: **Led**
- Number: **1**
- Watt: **6W**
- Color temperature (K): **3000K**

## LUMINAIRE

- Watt: **6W**
- Delivered lumens output: **204lm**
- CCT: **3000K**
- Efficiency: **35%**
- Efficacy: **34lm/W**
- CRI: **85**

**Accessories**

NO  
IMAGE  
AVAILABLE

ALIMENT. 8,4W 350mA (indip.) NL19032

NO  
IMAGE  
AVAILABLE

ALIMENT. 12W 700mA IP67 NL19024

NO  
IMAGE  
AVAILABLE

ALIMENT. 5W 350mA IP67 NL11022

NO  
IMAGE  
AVAILABLE

Driver 20W - 700mA - 220-240 Vac - 125x38x23  
(LxWxH) - Undimmable NL19036

NO  
IMAGE  
AVAILABLE

ALIMENT. 35W 700mA IP67 NL19029

NO  
IMAGE  
AVAILABLE

Driver 10W - 700mA 220-240 Vac - 75x38x25  
(LxWxH) - IP20 - Undimable NL19035

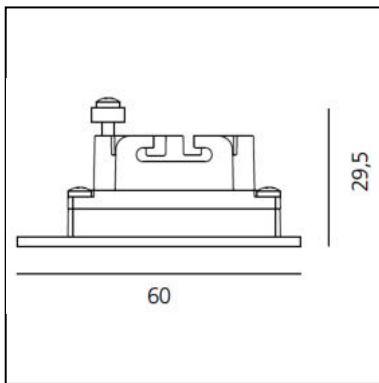
NO  
IMAGE  
AVAILABLE

Area Mini Cassaforma AJ90000

# Aria Micro - 2,5W 3000K - IP65 - Black



IP65 



## LUMINAIRE

- Watt: **3W**
- Delivered lumens output: **57lm**
- CCT: **3000K**
- Efficiency: **35%**
- Efficacy: **19lm/W**
- CRI: **80**

## DESCRIPTION

Light fixture with high-performance LED light sources. Wall or ceiling installation. Composed by: frame, body, asymmetrical reflector, fixing springs or housing. Body in injection mould of aluminium. Frame in aluminium. Body and frame are painted with outdoor treatment three stages: nanotechnologies, antioxidant primer, polyester paint. Metalized polycarbonate reflector. Silicone gasket. Protection screen in tempered glass, 3mm-thick. Housing in bend metal. Electrical connection to the ballast by means of a cable with appropriate terminal board supplied with the fixture. White monochromatic LEDs available in 2 colour temperatures: Warm = 3000K Neutral = 4000K IP Rating IP65 or IP40. Insulation class III. Technical features of light fixtures in compliance with EN60598-1. Installation must be carried out by specialized personnel. Carefully follow the instructions.

**PRODUCT CODE: NL31019VTK004**

## FEATURES

- Article Code: **NL31019VTK004**
- Colour: **Black**
- Installation: **WallCeiling**
- Material: **Aluminum, polycarbonate, tempered glass**
- Series: **Architectural Outdoor**
- Environment: **Outdoor**

## DIMENSIONS

- Length: **cm 6**
- Height: **cm 6**
- Recessed depth: **cm 3**
- Cutout shape: **Squared**
- Weight: **kg 0.6**

## SOURCES INCLUDED

- Category: **Led**
- Number: **1**
- Watt: **2,5W**
- Delivered lumens output: **165lm**
- Color temperature (K): **3000K**
- CRI: **=80(min.)**
- Color Tolerance: **MacAdam 4SDCM)**
- Efficacy: **72lm/W**
- Service Life: **L70(10K)>60500h**

**Accessories**

NO  
IMAGE  
AVAILABLE

ALIMENT. 8,4W 350mA (indip.) NL19032

NO  
IMAGE  
AVAILABLE

Driver 20W - 700mA - 220-240 Vac - 125x38x23  
(LxWxH) - Undimmable NL19036

NO  
IMAGE  
AVAILABLE

Cassaforma Aria Micro NL31020H0

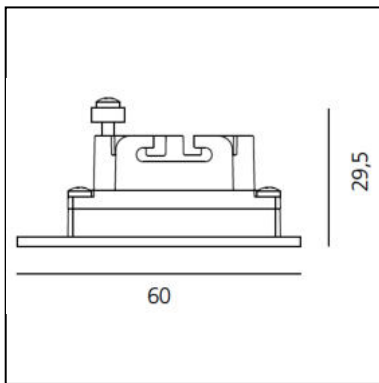
NO  
IMAGE  
AVAILABLE

Driver 10W - 700mA 220-240 Vac - 75x38x25  
(LxWxH) - IP20 - Undimable NL19035

# Aria Micro - 2,5W 3000K - IP40 - Black



IP40 



## LUMINAIRE

- Watt: **3W**
- Delivered lumens output: **57lm**
- CCT: **3000K**
- Efficiency: **35%**
- Efficacy: **19lm/W**
- CRI: **80**

## DESCRIPTION

Light fixture with high-performance LED light sources. Wall or ceiling installation. Composed by: frame, body, asymmetrical reflector, fixing springs or housing. Body in injection mould of aluminium. Frame in aluminium. Body and frame are painted with outdoor treatment three stages: nanotechnologies, antioxidant primer, polyester paint. Metalized polycarbonate reflector. Silicone gasket. Protection screen in tempered glass, 3mm-thick. Housing in bend metal. Electrical connection to the ballast by means of a cable with appropriate terminal board supplied with the fixture. White monochromatic LEDs available in 2 colour temperatures: Warm = 3000K Neutral = 4000K IP Rating IP65 or IP40. Insulation class III. Technical features of light fixtures in compliance with EN60598-1. Installation must be carried out by specialized personnel. Carefully follow the instructions.

**PRODUCT CODE: NL31018VTK004**

## FEATURES

- Article Code: **NL31018VTK004**
- Colour: **Black**
- Installation: **WallCeiling**
- Material: **Aluminum, polycarbonate, tempered glass**
- Series: **Architectural Outdoor**
- Environment: **Outdoor**

## DIMENSIONS

- Length: **cm 6**
- Height: **cm 6**
- Recessed depth: **cm 3**
- Cutout shape: **Squared**
- Weight: **kg 0.6**

## SOURCES INCLUDED

- Category: **Led**
- Number: **1**
- Watt: **2,5W**
- Delivered lumens output: **165lm**
- Color temperature (K): **3000K**
- CRI: **=80(min.)**
- Color Tolerance: **MacAdam 4SDCM)**
- Efficacy: **72lm/W**
- Service Life: **L70(10K)>60500h**

**Accessories**

NO  
IMAGE  
AVAILABLE

Alimentatore 5,6W 350mA IP67 DV3001

NO  
IMAGE  
AVAILABLE

Driver 14W - 700mA 220-240 - 79x38x25 (LxWxH) -  
IP67 - Undimable DV3003

NO  
IMAGE  
AVAILABLE

Driver 30W - 700mA 220-240 - 120x38x25  
(LxWxH) - IP67 - Non Dimmerabile DV3004

NO  
IMAGE  
AVAILABLE

Cassaforma Aria Micro NL31020H0