

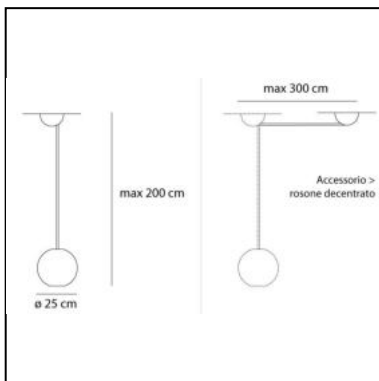
Aggregato Suspension Ø250 sfera

Enzo Mari

Giancarlo Fassina



IP20    Dimmerable:  +  -



LUMINAIRE

- Watt: **77W**
- Voltage: **220V-240V**

Notes

Lamp with interchangeable diffusers.

DESCRIPTION

Ceiling rose in thermoplastic resin and metal, painted; sphere-shaped diffuser in methacrylate. Code structure: A033200 Code sphere-shaped diffuser: A089410

PRODUCT CODE: A089410 +

FEATURES

- Article Code: **A089410 + A033200**
- Colour: **White**
- Installation: **Suspension**
- Material: **Technopolymer, methacrylate**
- Series: **Design Collection**
- Environment: **Indoor**
- Area contract: **Residential**
- Emission: **Diffused**
- design by: **Enzo Mari, Giancarlo Fassina**

DIMENSIONS

- Height: **cm 200**
- Diameter: **cm 25**
- Glow Wire Test: **650°**

NOT INCLUDED SOURCES

- Category: **HALO**
- Number: **1**
- Lbs: **A60**
- Watt: **77W**
- Socket: **E27**
- Color Rendering: **1a**
- Color temperature (K): **2900K**
- Duration (h): **1000h**

ALTERNATIVE SOURCES

- Category: **LED RETROFIT**
- Number: **1**
- Watt: **15W**
- Socket: **E27**

Accessories



AGGREGATO SOSP
ROSONE DECENT
A086000

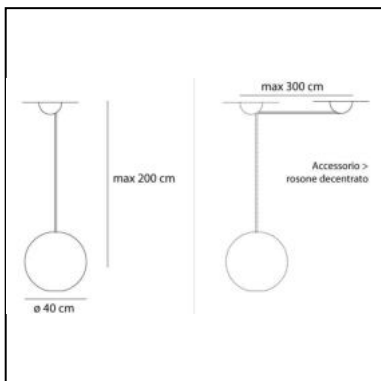
Aggregato Suspension Ø400 sfera

Enzo Mari

Giancarlo Fassina



IP20    Dimmerable:  +  -



LUMINAIRE

- Watt: **77W**
- Voltage: **220V-240V**

Notes

Lamp with interchangeable diffusers.

DESCRIPTION

Ceiling rose in thermoplastic resin and metal, painted; sphere-shaped diffuser in methacrylate. Code structure: A033200 Code sphere-shaped diffuser: A089412

PRODUCT CODE: A089412 +

FEATURES

- Article Code: **A089412 + A033200**
- Colour: **White**
- Installation: **Suspension**
- Material: **Technopolymer, methacrylate**
- Series: **Design Collection**
- Environment: **Indoor**
- Area contract: **Residential**
- Emission: **Diffused**
- design by: **Enzo Mari, Giancarlo Fassina**

DIMENSIONS

- Height: **cm 200**
- Diameter: **cm 40**
- Glow Wire Test: **650°**

NOT INCLUDED SOURCES

- Category: **HALO**
- Number: **1**
- Lbs: **A60**
- Watt: **77W**
- Socket: **E27**
- Color Rendering: **1a**
- Color temperature (K): **2900K**
- Duration (h): **1000h**

ALTERNATIVE SOURCES

- Category: **LED RETROFIT**
- Number: **1**
- Watt: **15W**
- Socket: **E27**

Accessories



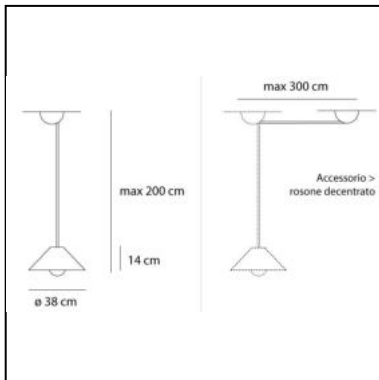
AGGREGATO SOSP
ROSONE DECENT
A086000

Aggregato Suspension Ø380 cono metallo piccolo

Enzo Mari
Giancarlo Fassina



IP20    Dimmerable:  +  -



LUMINAIRE

- Watt: **77W**
- Voltage: **220V-240V**

Notes

Lamp with interchangeable diffusers.

DESCRIPTION

Ceiling rose in thermoplastic resin and metal, painted; cone-shaped diffuser in metal. Code structure: A033200 Code cone diffuser in metal: A089860

PRODUCT CODE: A089860 +

FEATURES

- Article Code: **A089860 + A033200**
- Colour: **Anthracite gray**
- Installation: **Suspension**
- Material: **Technopolymer, methacrylate or steel**
- Series: **Design Collection**
- Environment: **Indoor**
- Area contract: **Residential**
- Emission: **Diffused**
- design by: **Enzo Mari, Giancarlo Fassina**

DIMENSIONS

- Height: **cm 200**
- Diameter: **cm 38**
- Glow Wire Test: **650°**

NOT INCLUDED SOURCES

- Category: **HALO**
- Number: **1**
- Lbs: **A60**
- Watt: **77W**
- Socket: **E27**
- Color Rendering: **1a**
- Color temperature (K): **2900K**
- Duration (h): **1000h**

ALTERNATIVE SOURCES

- Category: **LED RETROFIT**
- Number: **1**
- Watt: **15W**
- Socket: **E27**

Accessories



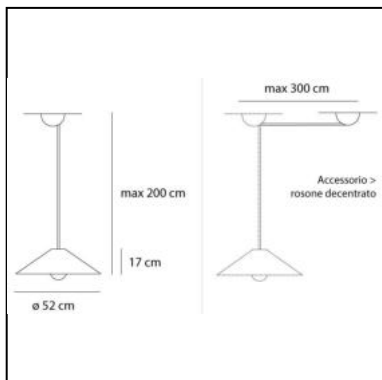
AGGREGATO SOSP
ROSONE DECENT
A086000

Aggregato Suspension Ø530 cono metallo

Enzo Mari
Giancarlo Fassina



IP20    Dimmerable:  +  -



LUMINAIRE

- Watt: **77W**
- Voltage: **220V-240V**

Notes

Lamp with interchangeable diffusers.

DESCRIPTION

Ceiling rose in thermoplastic resin and metal, painted; cone-shaped diffuser in metal. Code structure: A033200 Code cone diffuser in metal: A089960

PRODUCT CODE: A089960 +

FEATURES

- Article Code: **A089960 + A033200**
- Colour: **Anthracite gray**
- Installation: **Suspension**
- Material: **Technopolymer, methacrylate or steel**
- Series: **Design Collection**
- Environment: **Indoor**
- Area contract: **Residential**
- Emission: **Diffused**
- design by: **Enzo Mari, Giancarlo Fassina**

DIMENSIONS

- Height: **cm 200**
- Diameter: **cm 53**
- Glow Wire Test: **650°**

NOT INCLUDED SOURCES

- Category: **HALO**
- Number: **1**
- Lbs: **A60**
- Watt: **77W**
- Socket: **E27**
- Color Rendering: **1a**
- Color temperature (K): **2900K**
- Duration (h): **1000h**

ALTERNATIVE SOURCES

- Category: **LED RETROFIT**
- Number: **1**
- Watt: **15W**
- Socket: **E27**

Accessories






AGGREGATO SOSP
ROSONE DECENT
A086000

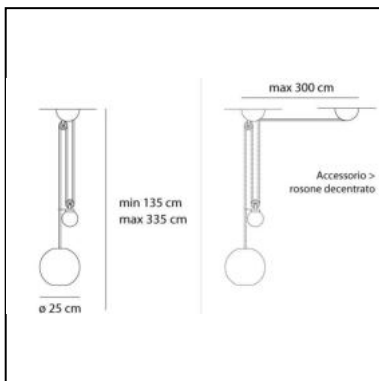
Aggregato Saliscendi Ø250 sfera

Enzo Mari

Giancarlo Fassina



IP20   Dimmerable: 



LUMINAIRE

- Watt: **77W**
- Voltage: **220V-240V**

Notes

Lamp with interchangeable diffusers.

DESCRIPTION

Ceiling rose in thermoplastic resin and metal, painted; counterweight in thermoplastic transparent resin; sphere-shaped diffuser in methacrylate. Code structure: A033100
Code sphere-shaped diffuser: A089410

PRODUCT CODE: A033100 +

FEATURES

- Article Code: **A033100 + A089410**
- Colour: **White**
- Installation: **Suspension**
- Material: **Technopolymer, methacrylate**
- Series: **Design Collection**
- Environment: **Indoor**
- Area contract: **Residential**
- Emission: **Diffused**
- design by: **Enzo Mari, Giancarlo Fassina**

DIMENSIONS

- Height: **cm 135**
- Diameter: **cm 25**
- Max Extension Height: **cm 335**
- Glow Wire Test: **650°**

NOT INCLUDED SOURCES

- Category: **HALO**
- Number: **1**
- Lbs: **A60**
- Watt: **77W**
- Socket: **E27**
- Color Rendering: **1a**
- Color temperature (K): **2900K**
- Duration (h): **1000h**

ALTERNATIVE SOURCES

- Category: **LED RETROFIT**
- Number: **1**
- Watt: **15W**
- Socket: **E27**

Accessories





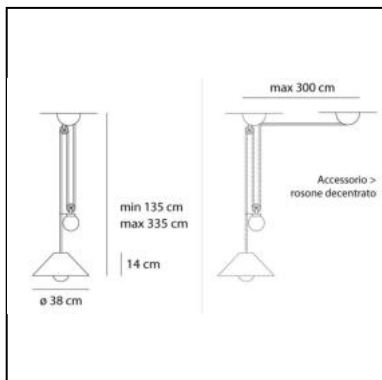
AGGREGATO SOSP
ROSONE DECENT
A086000

Aggregato Saliscendi Ø380 cono metallo

Enzo Mari
Giancarlo Fassina



IP20   Dimmerable: 



LUMINAIRE

- Watt: **77W**
- Voltage: **220V-240V**

Notes

Lamp with interchangeable diffusers.

DESCRIPTION

Ceiling rose in thermoplastic resin and metal, painted; counterweight in thermoplastic transparent resin; cone-shaped diffuser in metal. Code structure: A033100 Code cone diffuser in metal: A089860

PRODUCT CODE: A089860 +

FEATURES

- Article Code: **A089860 + A033100**
- Colour: **Anthracite gray**
- Installation: **Suspension**
- Material: **Technopolymer, methacrylate or steel**
- Series: **Design Collection**
- Environment: **Indoor**
- Area contract: **Residential**
- Emission: **Diffused**
- design by: **Enzo Mari, Giancarlo Fassina**

DIMENSIONS

- Height: **cm 135**
- Diameter: **cm 38**
- Max Extension Height: **cm 335**
- Glow Wire Test: **650°**

NOT INCLUDED SOURCES

- Category: **HALO**
- Number: **1**
- Lbs: **A60**
- Watt: **77W**
- Socket: **E27**
- Color Rendering: **1a**
- Color temperature (K): **2900K**
- Duration (h): **1000h**

ALTERNATIVE SOURCES

- Category: **LED RETROFIT**
- Number: **1**
- Watt: **15W**
- Socket: **E27**

Accessories



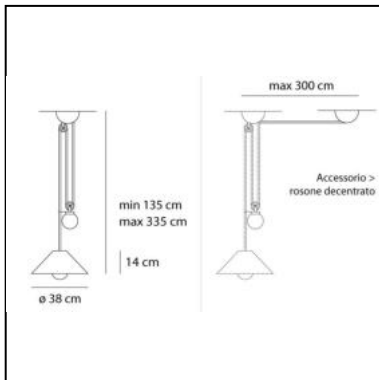
AGGREGATO SOSP
ROSONE DECENT
A086000

Aggregato Saliscendi Ø380 cono opalino

Enzo Mari
Giancarlo Fassina



IP20   Dimmerable: 



LUMINAIRE

- Watt: **77W**
- Voltage: **220V-240V**

Notes

Lamp with interchangeable diffusers.

DESCRIPTION

Ceiling rose in thermoplastic resin and metal, painted; counterweight in thermoplastic transparent resin; sphere-shaped diffuser in methacrylate. With fall counterweight. Code structure: A033100 Code cone-shaped diffuser: A089700

PRODUCT CODE: A089700 +

FEATURES

- Article Code: **A089700 + A033100**
- Colour: **White**
- Installation: **Suspension**
- Material: **Technopolymer, methacrylate**
- Series: **Design Collection**
- Environment: **Indoor**
- Area contract: **Residential**
- Emission: **Diffused**
- design by: **Enzo Mari, Giancarlo Fassina**

DIMENSIONS

- Height: **cm 135**
- Diameter: **cm 38**
- Max Extension Height: **cm 335**
- Glow Wire Test: **650°**

NOT INCLUDED SOURCES

- Category: **HALO**
- Number: **1**
- Lbs: **A60**
- Watt: **77W**
- Socket: **E27**
- Color Rendering: **1a**
- Color temperature (K): **2900K**
- Duration (h): **1000h**

ALTERNATIVE SOURCES

- Category: **LED RETROFIT**
- Number: **1**
- Watt: **15W**
- Socket: **E27**

Accessories



AGGREGATO SOSP
ROSONE DECENT
A086000

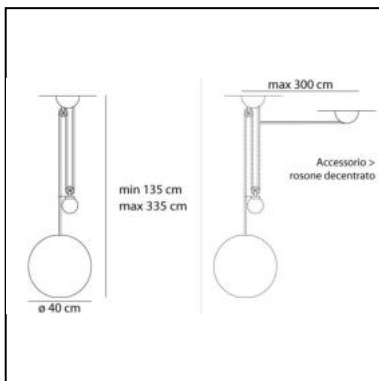
Aggregato Saliscendi Ø400 sfera

Enzo Mari

Giancarlo Fassina



IP20   Dimmerable: 



LUMINAIRE

- Watt: **77W**
- Voltage: **220V-240V**

Notes

Lamp with interchangeable diffusers.

DESCRIPTION

Ceiling rose in thermoplastic resin and metal, painted; counterweight in thermoplastic transparent resin; sphere-shaped diffuser in methacrylate. Code structure: A033100
Code sphere-shaped diffuser: A089412

PRODUCT CODE: A089412 +

FEATURES

- Article Code: **A089412 + A033100**
- Colour: **White**
- Installation: **Suspension**
- Material: **Technopolymer, methacrylate**
- Series: **Design Collection**
- Environment: **Indoor**
- Area contract: **Residential**
- Emission: **Diffused**
- design by: **Enzo Mari, Giancarlo Fassina**

DIMENSIONS

- Height: **cm 135**
- Diameter: **cm 40**
- Max Extension Height: **cm 335**
- Glow Wire Test: **650°**

NOT INCLUDED SOURCES

- Category: **HALO**
- Number: **1**
- Lbs: **A60**
- Watt: **77W**
- Socket: **E27**
- Color Rendering: **1a**
- Color temperature (K): **2900K**
- Duration (h): **1000h**

ALTERNATIVE SOURCES

- Category: **LED RETROFIT**
- Number: **1**
- Watt: **15W**
- Socket: **E27**

Accessories



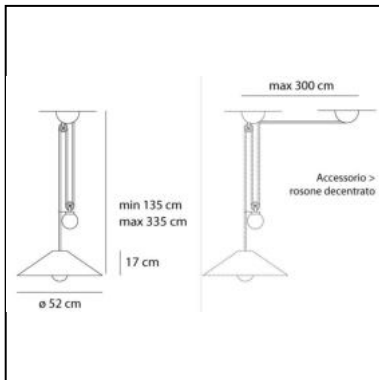
AGGREGATO SOSP
ROSONE DECENT
A086000

Aggregato Saliscendi Ø530 cono opalino

Enzo Mari
Giancarlo Fassina



IP20   Dimmerable: 



LUMINAIRE

- Watt: **77W**
- Voltage: **220V-240V**

Notes

Lamp with interchangeable diffusers.

DESCRIPTION

Ceiling rose in thermoplastic resin and metal, painted; counterweight in thermoplastic transparent resin; cone-shaped diffuser in methacrylate. Code structure: A033100
Code cone-shaped diffuser: A089400

PRODUCT CODE: A089400 +

FEATURES

- Article Code: **A089400 + A033100**
- Colour: **White**
- Installation: **Suspension**
- Material: **Technopolymer, methacrylate**
- Series: **Design Collection**
- Environment: **Indoor**
- Area contract: **Residential**
- Emission: **Diffused**
- design by: **Enzo Mari, Giancarlo Fassina**

DIMENSIONS

- Height: **cm 135**
- Diameter: **cm 53**
- Max Extension Height: **cm 335**
- Glow Wire Test: **650°**

NOT INCLUDED SOURCES

- Category: **HALO**
- Number: **1**
- Lbs: **A60**
- Watt: **77W**
- Socket: **E27**
- Color Rendering: **1a**
- Color temperature (K): **2900K**
- Duration (h): **1000h**

ALTERNATIVE SOURCES

- Category: **LED RETROFIT**
- Number: **1**
- Watt: **15W**
- Socket: **E27**

Accessories



AGGREGATO SOSP
ROSONE DECENT
A086000