
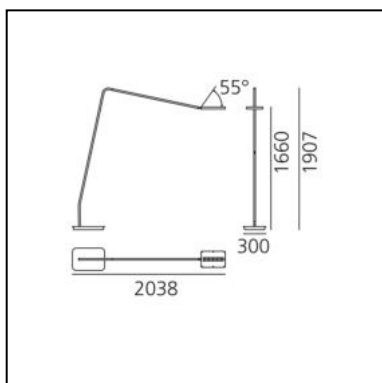


# 90° Office

Ernesto Gismondi



IP20 



## LUMINAIRE

- Watt: **20W**
- Delivered lumens output: **2097lm**
- CCT: **3000K**
- Efficiency: **88%**
- Efficacy: **104.85lm/W**
- CRI: **80**

## DESCRIPTION

Floor lamp with a broad extension of the arm. Materials: painted steel base; lamp body in extruded painted aluminium; head in red painted die-cast aluminium. Specification: the lamphead can be rotated of 55° upwards and is equipped with two different lenses for the Home and Office version.

## PRODUCT CODE: SCENARIOS

### FEATURES

- Article Code: **1930010A**
- Colour: **Red**
- Installation: **Floor**
- Series: **Scenarios**
- design by: **Ernesto Gismondi**

### DIMENSIONS

- Length: **cm 203**
- Height: **cm 190**
- Base Width: **cm 30**

### SOURCES INCLUDED

- Category: **Led**
- Number: **1**
- Watt: **17W**
- Delivered lumens output: **2211lm**
- Color temperature (K): **3000K**
- CRI: **80**
- Efficacy: **100lm/W**


### ALTERNATIVE SOURCES

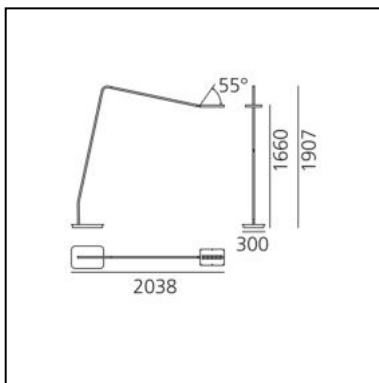
- Category: **LED**
- Number: **1**
- Watt: **122W**
- Color temperature (K): **3000K**
- Color temperature (K): **MacAdam 3SDCM**
- Service Life: **L70 (4K) 60500h**

# 90° Home

Ernesto Gismondi



IP20 



## LUMINAIRE

- Watt: **20W**
- Delivered lumens output: **2049lm**
- CCT: **3000K**
- Efficiency: **86%**
- Efficacy: **102.45lm/W**
- CRI: **80**

## DESCRIPTION

Floor lamp with a broad extension of the arm. Materials: painted steel base; lamp body in extruded painted aluminium; head in red painted die-cast aluminium. Specification: the lamphed can be rotated of 55° upwards and is equipped with two different lenses for the Home and Office version.

## PRODUCT CODE: SCENARIOS

### FEATURES

- Article Code: **1931010A**
- Colour: **Red**
- Installation: **Floor**
- Series: **Scenarios**
- design by: **Ernesto Gismondi**

### DIMENSIONS

- Length: **cm 203**
- Height: **cm 190**
- Base Width: **cm 30**

### SOURCES INCLUDED

- Category: **Led**
- Number: **1**
- Watt: **17W**
- Delivered lumens output: **2211lm**
- Color temperature (K): **3000K**
- CRI: **80**
- Efficacy: **100lm/W**