

KM 2354

Gas hob

in maximum width for the ultimate in cooking and user convenience.



- Simple controls -single-handed operation via rotary dial control
- Modern design – 888 mm wide, flat-fit stainless-steel trough
- Particularly versatile – 5 burners incl. 1 dual wok
- Extremely safe – GasStop function
- Easy cleaning – dishwasher-safe ComfortClean pot rests

EAN: 4002515169032 / Material number: 09289880 / Old Material Number: 26235450GB

Heating type	
Heating type	Gas
Construction type	
Independent of cooker	•
Design	
Cast iron pot rests (matt black enamelled)	•
Miele logo embossed in stainless steel	•
Cooking zone details	
Number of cooking zones	5
1st cooking zone/cooking area	
Position	front left
Type	Economy burner
Max. rating in W	1000
2nd cooking zone/cooking area	
Position	rear left
Type	High-speed burner
Max. rating in W	2700
3rd cooking zone/cooking area	
Position	Centred
Type	Dual wok burner
Max. rating in W	4500
4th cooking zone/cooking area	
Position	rear right
Type	Standard burner
Max. rating in W	1700
5th cooking zone/cooking area	
Position	front right
Type	Standard burner
Max. rating in W	1700
User convenience	
Operation via knobs	•
Electronic ignition with single-hand operation	•
Cleaning convenience	
Dishwasher-proof pot rests	•
Safety	
GasStop	•
Technical data	
Dimensions (W x H x D) in mm	75 x 888 x 508
Dimensions in mm (width)	888
Dimensions in mm (height)	75
Dimensions in mm (depth)	508
Cutout dimensions in mm (width) with surface-mounted installation	862
Casing height incl. connection box in mm	90
Cutout dimensions in mm (depth) with surface-mounted installation	490
Weight in kg	19
Total rated load in kW	11.60
Length of supply lead in m	1.4

KM 2354

Gas hob

in maximum width for the ultimate in cooking and user convenience.



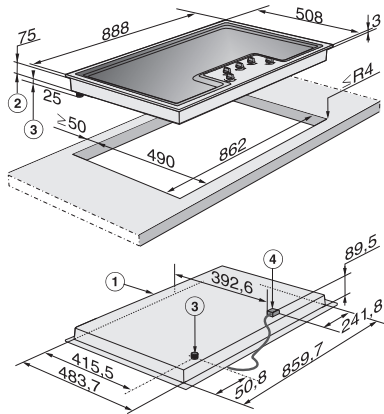
EAN: 4002515169032 / Material number: 09289880 / Old Material Number: 26235450GB

Accessories supplied	
Number of mains cables with plug	Yes
Jets for liquid gas	•
Wok ring	•
Small trivet	•

KM 2354

Gas hob

in maximum width for the ultimate in cooking and user convenience.



KM 2354 (Skizze)

1. front, 2. Building-in depth, 3. Gas connection R 1/2 - ISO 7-1 (DIN EN 10226), 4. Mains connection box with mains connection cable L = 2000 mm