

## KM 6522 FR

Electric hob with onset controls

with 1 extended zone and 1 Vario zone at an attractive entry level price.



- Easy operation – EasySelect
- Attractive design – 764 mm wide with all-round frame
- Very versatile – 4 cooking zones with 1 extended and 1 Vario zone
- Convenient – Auto heat-up for every cooking zone
- Safe – three level residual heat indicator for every cooking zone

EAN: 4002516074632 / Material number: 10889630 / Old Material Number: 26652210GB

<b>Heating type</b>	
Heating type	Electrical
<b>Construction type</b>	
Independent of cooker	•
<b>Design</b>	
Elegant glass ceramic surface	•
Ceramic surface colour	Black
Stainless steel frame	•
Surface-mounted installation	•
<b>Cooking zone details</b>	
Number of cooking zones	4
<b>1st cooking zone/cooking area</b>	
Position	front left
Type	Dual-circuit ring
Size in mm	120/210 mm
Max. rating in W	750/2200
<b>2nd cooking zone/cooking area</b>	
Position	rear left
Type	Single-circuit ring
Size in mm	145 mm
Max. rating in W	1200
<b>3rd cooking zone/cooking area</b>	
Position	rear right
Type	Casserole area
Size in mm	170 mm Ø / 265 mm
Max. rating in W	1500/2400
<b>4th cooking zone/cooking area</b>	
Position	front right
Type	Single-circuit ring
Size in mm	180 mm
Max. rating in W	1800
<b>User convenience</b>	
Operation via sensor controls	EasySelect
Extended cooking zone	•
Display colour	Yellow
Auto heat-up	•
Stop & Go function	•
Recall function	•
Minute minder	•
Safety switch-off	•
Individual setting options (e.g. buzzers)	•
<b>Efficiency and sustainability</b>	
Residual heat utilisation	•
<b>Cleaning convenience</b>	
Easy to clean ceramic glass	•
<b>Safety</b>	
Safety switch-off	•
Lock function	•
System lock	•
Overheating protection	•

KM 6522 FR

Electric hob with onset controls

with 1 extended zone and 1 Vario zone at an attractive entry level price.



EAN: 4002516074632 / Material number: 10889630 / Old Material Number: 26652210GB

Residual heat indicator

•

#### Technical data

Dimensions (W x H x D) in mm 43 x 764 x 504

Dimensions in mm (width) 764

Dimensions in mm (height) 43

Dimensions in mm (depth) 504

Cutout dimensions in mm (width) with surface-mounted installation 750

Cutout dimensions in mm (depth) with surface-mounted installation 490

Weight in kg 10

Total rated load in kW 7.60

Length of supply lead in m 1.4

Voltage in V 230

Frequency in Hz 50-60

#### Accessories supplied

Razor-blade scraper

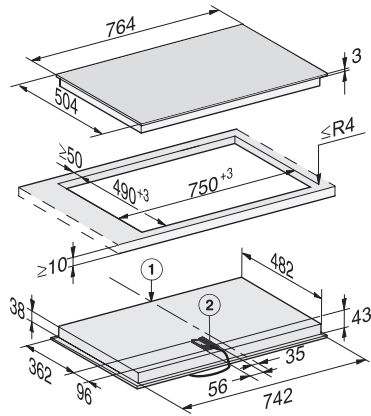
•

Number of mains cables with plug Yes

## KM 6522 FR

Electric hob with onset controls

with 1 extended zone and 1 Vario zone at an attractive entry level price.



KM 6522 FR, KM 6542 FR (Installation drawing)

1) Front, 2) Mains connection box. Mains connection cable  
L = 1440 mm, built-in height = 43 mm