

H 2890 B

90 cm wide oven

in a perfect mix and match design with timer and PerfectClean.



- 7-segment display with retractable rotary controls – EasyControl
- Particularly easy to clean – PerfectClean finish
- Lots of room and flexibility – 90 l oven capacity on 3 levels
- Fast heating and even heat distribution – TwinPower
- Protects against burns – touch-cool fronts

A

EAN: 4002516218753 / Material number: 11093380 / Old Material Number: 22289044GB

Construction type and design	
Built-in oven	•
PureLine	•
Appliance Colour	Stainless steel/Clean Steel
Retractable rotary controls	•
Convenience features	
Rapid heat-up	•
Operating modes	
Defrosting	•
Eco fan heat	•
Grill operating modes	•
Grill	•
Fan plus	•
Intensive bake	•
Conventional heat	•
Bottom heat	•
Fan grill	•
User convenience	
Display	EasyControl
SoftOpen	•
SoftClose	•
Individual settings	•
Timer functions	•
Time of day display	•
Minute minder	•
Programmable end of cooking duration	•
Programmable cooking duration	•
Efficiency and sustainability	
Energy efficiency class (A+++ – D)	A
Cleaning convenience	
Stainless steel/CleanSteel finish	•
Oven compartment with PerfectClean and catalytically enamelled liners	•
Hinged grill element	•
CleanGlass door	•
Safety	
Appliance cooling system and touch-cool front	•
System lock	•
Technical data	
Oven compartment volume in l	90
No. of shelf levels	3
Number of shelf levels oven compartment 1	3
Number of shelf levels oven compartment 2	3
Numbered shelf levels	•
Oven light	2 halogen spots
TwinPower hot air fan	•
Electronic temperature regulation min. in °C	50
Electronic temperature regulation max. in °C	270
Niche width min. in mm	860
Niche width max. in mm	860

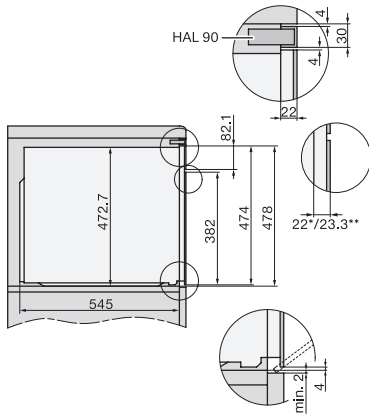
H 2890 B  
 90 cm wide oven  
 in a perfect mix and match design with timer and PerfectClean.



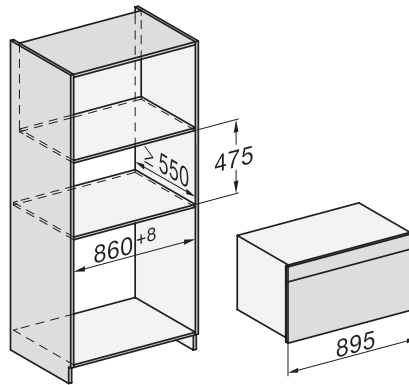
EAN: 4002516218753 / Material number: 11093380 / Old Material Number: 22289044GB

Niche height min. in mm	517
Niche height max. in mm	517
Niche depth in mm	550
Appliance width in mm	895
Appliance height in mm	478
Electronic steam oven temperature regulation min. in °C	50-270
Appliance depth in mm	568
Weight in kg	64.0
Total rated load in kW	3.70
Voltage in V	220-240
Frequency in Hz	50
Number of phases	1
Fuse rating in A	16
Length of supply lead in m	1.80
Replacing lamps	Customer
<b>Accessories supplied</b>	
Baking tray with PerfectClean	1
Universal tray with PerfectClean	1
Baking and roasting rack without PerfectClean	1
Removable side runners (pair)	1

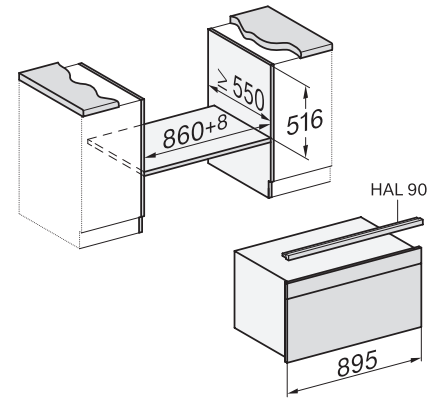
H 2890 B  
90 cm wide oven  
in a perfect mix and match design with timer and PerfectClean.



H2890B, installation drawings, GB, AUS  
22 mm – glass, 23.3 mm – metal

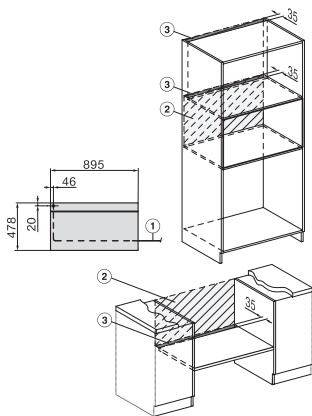


H2890B, H7890BP, installation drawings

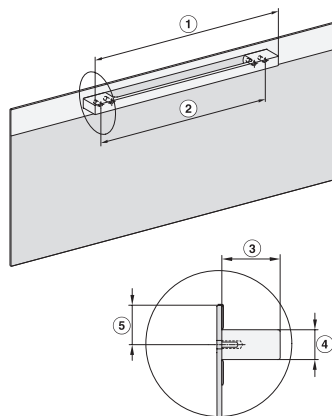


H2890B, H7890BP, installation drawings

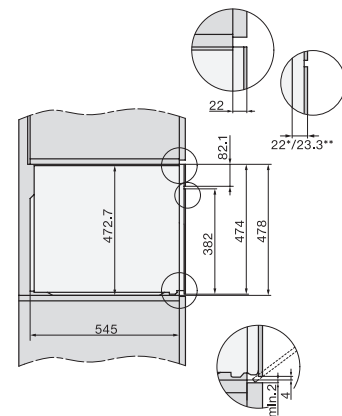
If the oven is to be installed under a hob, follow the instructions for installing the hob and the height of the hob.



H2890B, H7890BP, installation drawings  
1) Mains connection cable, L=2000 mm, 2) No connection in this area, 3) Lüftungsausschnitt min. 150 cm<sup>2</sup>



H2890B, installation drawings  
1) 500 mm, 2) 444 mm, 3) 47 mm, 4) 24 mm, 5) 32.5 mm



H2890B, installation drawings, GB, AUS  
22 mm – glass, 23.3 mm – metal