

WTD160 WCS 8/5 kg

WT1 washer-dryer:

with PerfectCare technology for gentle and efficient laundry care.



- 8 kg wash load and 5 kg drying load – perfect for daily laundry
- Highly precise drying results thanks to PerfectDry
- Gentle laundry care thanks to the Miele honeycomb drum
- Economical, powerful and no wear and tear – the ProfiEco Motor
- Miele@home – clever networking opens up new possibilities*

* Additional digital offer from Miele & Cie. KG. All smart applications are made possible with the Miele@home system. The range of functions can vary depending on the model and the country.



EAN: 4002516371854 / Material number: 11576570 / Old Material Number: 11TD1601GB

Construction type	
Suitable for stacking	•
Side-by-side	•
Slot-in	•
Can be built-under	•
Door hinge	right
Model	
Front-loader	•
Washing machine with dryer function	
Continuous washing and drying cycle	•
Electronic residual moisture sensing	•
Condenser dryers with water cooling	•
Thermospin	•
Spinning	
Max. spin speed	1500
Rinse hold	•
Without spin function	•
Design	
Appliance colour	Lotus white
Control panel colour	Lotus white
Door design	Graphite grey PearlFinish
Rotary selector colour	Lotus White
Control panel version	Straight
Control type	Rotary selector
Display	DirectSensor white, 7 segment
Gentle laundry care	
Honeycomb drum	•
Load in kg when washing	8.0
Load in kg when drying	5.0
PerfectCare technology	•
User convenience	
Networking with Miele@home	•
Delay start up to 24 hours	•
Time left display	•
Programme sequence indicator	No
Automatic rinse out fluff	•
AutoClean detergent drawer	•
AddLoad	•
Efficiency and sustainability	
Energy efficiency class (A–G)	A
Energy efficiency class for washing and drying (A–G)	D
Energy consumption in kWh in the Cottons 60° standard programme with a full load and subsequent Normal dry cycle	5.47
Weighted energy consumption per 100 operating cycles for the complete operating cycle in kWh	266
Weighted energy consumption per 100 operating cycles for the wash cycle in kWh	47
Weighted water consumption per operating cycle for the wash cycle in l	47

WTD160 WCS 8/5 kg

WT1 washer-dryer:

with PerfectCare technology for gentle and efficient laundry care.



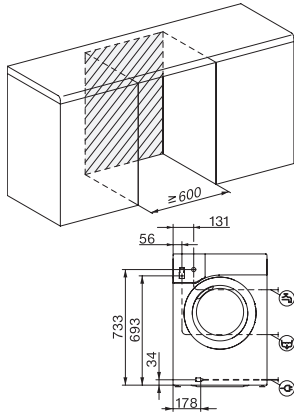
EAN: 4002516371854 / Material number: 11576570 / Old Material Number: 11TD1601GB

Weighted water consumption per operating cycle for the complete operating cycle in l	68
Acoustic airborne noise emission class (spin cycle)	A
Programme running time at nominal capacity for the wash cycle	219
Programme running time at nominal capacity for the complete operating cycle	389
Power rating in off mode in W	0.30
Power rating in networked standby in W	0.70
Low temperature wash "Cold" and "20 °C"	•
Flow meter	•
Foam sensing	•
ProfiEco motor	•
Wash programmes	
Cottons (coloureds)	•
Minimum iron	•
Shirts	•
Woollens (hand-washable)	•
Express	•
Dark garments / Denim	•
Cottons Arrow	•
ECO 40-60	•
Drying programmes	
Cottons (coloureds)	•
Minimum iron	•
Delicates	•
Shirts	•
Woollens	•
Express	•
Dark garments / Denim	•
Warm air	•
Extras	
Anti-crease	•
Low temperature	•
Short	•
Quality	
Suds container	Stainless Steel
Counterweights made of cast iron	•
Safety	
PIN-Code	•
Technical data	
Dimensions in mm (width)	596
Dimensions in mm (height)	850
Dimensions in mm (depth)	637
Appliance depth in mm with opened door	1055
Weight in kg	94
Total rated load in kW	2.10-2.40
Voltage in V	220-240
Fuse rating in A	13
Frequency in Hz	50
Length of supply lead in m	2

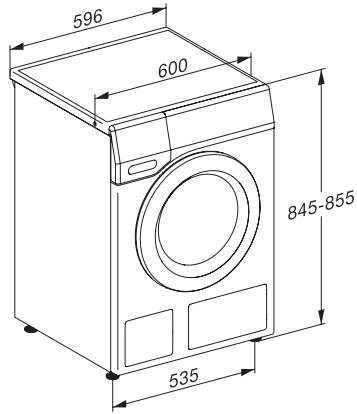
WTD160 WCS 8/5 kg

WT1 washer-dryer:

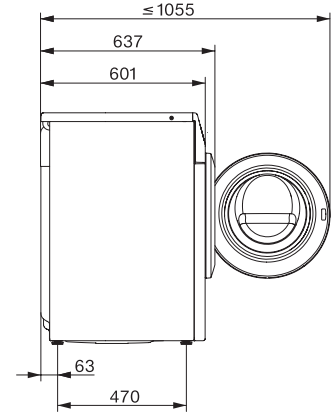
with PerfectCare technology for gentle and efficient laundry care.



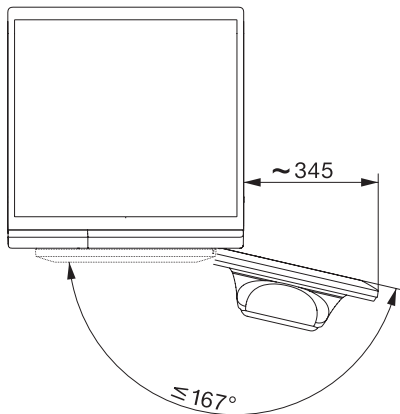
WT1 8/5 kg, installation drawing, slanted facia, straight facia, measures in mm



WT1 8/5 kg, drawing, slanted facia, straight facia, measures in mm



WT1 8/5 kg, drawing, slanted facia, straight facia, measures in mm



WT1 8/5 kg, drawing, slanted facia, straight facia, measures in mm