

WWG 660 WCS TDos & 9kg
W1 front-loader washing machine:
with TwinDos, CapDosing and Miele@home for smart laundry care.



- Automatic detergent dispensing at the touch of a button – TwinDos
- Ironing made simple thanks to pre-ironing with steam
- Perfect supplement for specific applications – CapDosing
- Display & convenient operation at your fingertips – ComfortSensor
- Miele@home – clever networking opens up new possibilities*

* Additional digital offer from Miele & Cie. KG. All smart applications are made possible with the Miele@home system. The range of functions can vary depending on the model and the country.



EAN: 4002516257820 / Material number: 11359290 / Old Material Number: 11WG6601GB

| | |
|--|---------------------------------|
| Construction type | |
| Suitable for stacking | • |
| Side-by-side | • |
| Slot-in | • |
| Door hinge | right |
| Model | |
| Product brand | W1 White Edition |
| Front-loader | • |
| Spinning | |
| Max. spin speed | 1400 |
| Rinse hold | • |
| Without spin function | • |
| Design | |
| Appliance colour | Lotus white |
| Control panel colour | Lotus white |
| Door design | Obsidian black with chrome ring |
| Rotary selector colour | Lotus White / Chrome ring |
| Control panel version | 5° incline |
| Control type | Rotary selector |
| Display | ComfortSensor white, 1 line |
| Cleaning performance | |
| TwinDos automatic detergent dispensing | • |
| CapDosing portioned dispensing | • |
| Gentle laundry care | |
| Honeycomb drum | • |
| Load in kg | 9.0 |
| User convenience | |
| Networking with Miele@home | • |
| Delay start up to 24 hours | • |
| Time left display | • |
| Programme sequence indicator | • |
| MultiLingua | • |
| AutoClean detergent drawer | • |
| AddLoad | • |
| Efficiency and sustainability | |
| Energy efficiency class (A–G) | A |
| Weighted energy consumption per 100 operating cycles for the wash cycle in kWh | 49 |
| Weighted water consumption per cycle in l | 48 |
| Spin efficiency class | B |
| Acoustic airborne noise emission class (spin cycle) | A |
| Sound emissions during spin cycle in dB(A) re 1 pW | 68 |
| Duration of the "ECO 40–60" programme at nominal capacity | 209 |
| Power rating in off mode in W | 0.40 |
| Power rating in networked standby in W | 0.80 |
| Low temperature wash "Cold" and "20 °C" | • |
| Automatic load control | • |
| Flow meter | • |
| Foam sensing | • |

WWG 660 WCS TDos & 9kg
W1 front-loader washing machine:
with TwinDos, CapDosing and Miele@home for smart laundry care.



EAN: 4002516257820 / Material number: 11359290 / Old Material Number: 11WG6601GB

| | |
|---|-----------------|
| ProfiEco motor | • |
| Wash programmes | |
| Automatic plus | • |
| Cottons (coloureds) | • |
| Minimum iron | • |
| Delicates | • |
| Shirts | • |
| Silk (hand-washable) | • |
| Woollens (hand-washable) | • |
| Express 20 | • |
| Dark garments / Denim | • |
| Outerwear | • |
| Proofing | • |
| Sportswear | • |
| Clean machine | • |
| Cottons Arrow | • |
| Separate rinse/Starch | • |
| Drain / Spin | • |
| ECO 40-60 | • |
| Extras | |
| Short | • |
| Soak | • |
| Pre-wash | • |
| Water plus | • |
| Additional rinse cycle | • |
| Extra quiet | • |
| Pre-ironing | • |
| Buzzer | • |
| AllergoWash | • |
| Quality | |
| Suds container | Stainless Steel |
| Counterweights made of cast iron | • |
| Safety | |
| Safety lock | • |
| PIN-Code | • |
| Optical interface | • |
| Technical data | |
| Dimensions in mm (width) | 596 |
| Dimensions in mm (height) | 850 |
| Dimensions in mm (depth) | 643 |
| Appliance depth in mm with opened door | 1077 |
| Weight in kg | 94 |
| Total rated load in kW | 2.10-2.40 |
| Voltage in V | 220-240 |
| Fuse rating in A | 13 |
| Frequency in Hz | 50 |
| Length of supply lead in m | 2 |
| Accessories supplied | |
| 3 Caps | • |
| UltraPhase 1 + 2 | • |
| Voucher for 5 Miele UltraPhase cartridges | • |

WWG 660 WCS TDos & 9kg
W1 front-loader washing machine:
with TwinDos, CapDosing and Miele@home for smart laundry care.



EAN: 4002516257820 / Material number: 11359290 / Old Material Number: 11WG6601GB

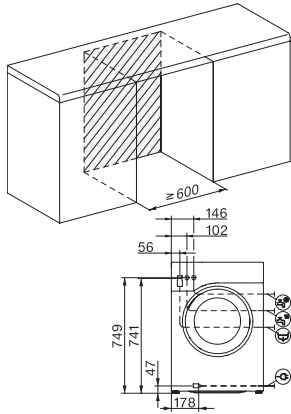
Available display languages

Available display languages through MultiLingua

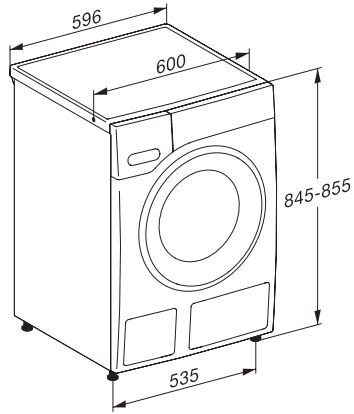
bahasa malaysia, deutsch,
english (AU), english (GB),
español, português, ,

, ,

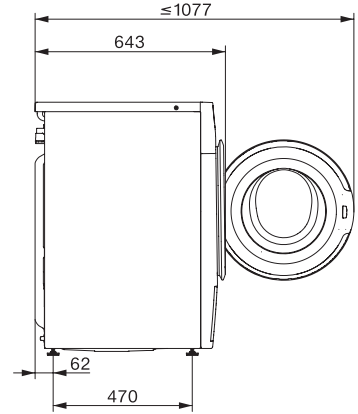
WWG 660 WCS TDos & 9kg
W1 front-loader washing machine:
with TwinDos, CapDosing and Miele@home for smart laundry care.



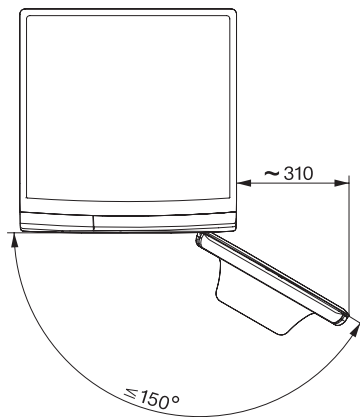
W1 drawing, facia 5 degree, measures in mm



W1 drawing, facia 5 degree, measures in mm



W1 drawing, facia 5 degree, measures in mm



W1 drawing, facia 5 degree, measures in mm