

FN 4322 E

Freestanding freezer

with NoFrost, SideOpen and XXL box for great convenience.



- No icing up of food and no need to defrost thanks to NoFrost
- More space for particularly large frozen food – XXL box
- Handle-less design thanks to an integrated handle design
- Food is frozen quickly and gently – SuperFreeze
- Flexible increase in freezer volume – VarioRoom



EAN: 4002516572053 / Material number: 12056590 / Old Material Number: 37432254GB

Appliance category	
Freezer	•
Construction type	
Freestanding appliance	•
Door hinge	right
Convertible door hinging	•
Design	
Casing colour	White
User convenience	
NoFrost	•
VarioRoom	•
Controls	
Operating concept	SensorTouch
Precise adjustment	Gefriertemperatur
Independent temperature regulation of fridge and freezer zones	No
SuperFreeze	•
No. of temperature zones	1
Sabbath mode	•
Party mode	•
Freezer/Freezer section	
Number of freezer drawers including XXL box	5 1
Efficiency and sustainability	
Energy efficiency class (A–G)	E
Annual energy consumption in kWh	220.60
Energy consumption in 24 h in kWh	0.60
Safety	
Lock function	•
Acoustic door alarm	•
Acoustic temperature alarm	•
Optical door alarm	•
Optical temperature alarm	•
Power cut indication for freezer section	•
Internal heater for operation with low ambient temperatures	•
Technical data	
Niche depth in mm	550
Appliance width in mm	600
Appliance height in mm	1450
Appliance depth in mm	675
Weight in kg	85.5
Climate class	SN-T
4* freezer compartment in l	200
Total usable capacity in l	200
Storage time in case of fault in h	16
Freezer capacity in kg/24 h	16.00
Noise class (A–D)	C
Sound power in dB(A) re 1 pW	38
Current consumption (mA)	1300
Voltage in V	220-240

FN 4322 E

Freestanding freezer

with NoFrost, SideOpen and XXL box for great convenience.



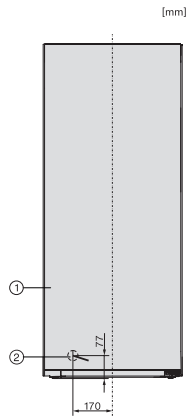
EAN: 4002516572053 / Material number: 12056590 / Old Material Number: 37432254GB

Fuse rating in A	13
Number of phases	1
Frequency in Hz	50-60
Length of supply lead in m	2.1
Replacing lamps	Customer Service
Accessories supplied	
Ice cube tray	•

FN 4322 E

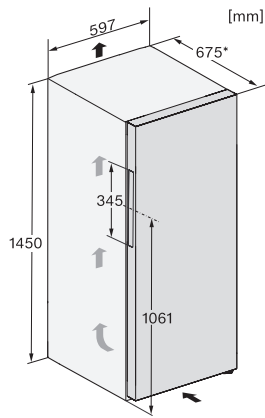
Freestanding freezer

with NoFrost, SideOpen and XXL box for great convenience.



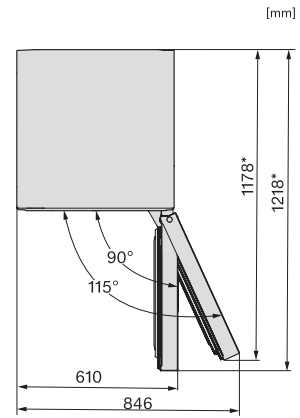
FN4322E, FN4322D, FN4822D, FN4824C, installation (footnote*) (installation drawings)

*1. View from the front, 2. Mains connection cable, L = 2100 mm



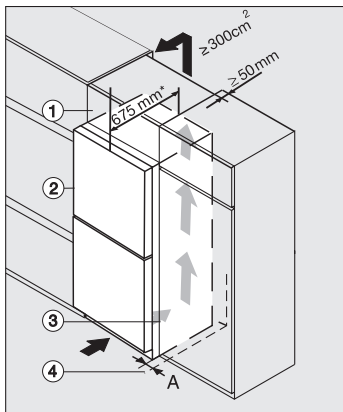
K4323FD, K4323ED, FN4322E, FN4322D, installation sketch (footnote*) (installation drawings)

*To achieve the declared energy consumption, the spacers supplied with the unit must be used. This increases the depth of the unit by approx. 15 mm. The unit is fully functional without the use of the spacers, but has a slightly higher energy consumption.



KFN4375DD, KFN4395DD, KFN4393FD, KFN4393D, KFN4377DD, KS4383ED, K4373ED, FN4312E, top view (footnote*)

*To achieve the declared energy consumption, the spacers supplied with the unit must be used. This increases the depth of the unit by approx. 15 mm. The unit is fully functional without the use of the spacers, but has a slightly higher energy consumption.



Integrating freestanding refrigeration appliance in a run of kitchen units, edt/cs, ws, bst, el (*footnote)

1. Top box, 2. Refrigeration appliance, door depth = 75 mm, 3. Housing unit, 4. Wall, A = 25 mm (with recessed grip)/60 mm (with handle), * The appliance depth is increased by approx. 15 mm for refrigeration appliances with wall spacers fitted.