

K 28202 D ws
Freestanding refrigerator
with Dynamic cooling and lever handle for convenient side-by-side combination.



- Optimum and maintenance-free LED lighting in compartment
- Easy and effortless opening of refrigerators thanks to EasyOpen



EAN: 4002515977491 / Material number: 10851020 / Old Material Number: 36282020GB

Appliance category	
Refrigerator	•
Construction type	
Freestanding appliance	•
Door hinge	right
Side-by-side enabled	•
Design	
Casing colour	White
Front colour	White
Refrigeration section lighting	LED
User convenience	
ComfortClean	•
DynaCool	•
Concealed door opener	EasyOpen lever handle
Controls	
Operating concept	TouchControl
Independent temperature regulation of fridge and freezer zones	No
Automatic SuperCool	•
No. of temperature zones	1
Fridge/Fridge section	
No. of shelves	5
Chrome-plated metal bottle rack	•
Number of inner door racks for tinned food	3
Door rack for bottles	2
Door shelves	5
Efficiency and sustainability	
Energy efficiency class (A–G)	F
Annual energy consumption in kWh	151.48
Energy consumption in 24 h in kWh	0.41
Safety	
Acoustic door alarm	•
Optical door alarm	•
Technical data	
Appliance width in mm	600
Appliance height in mm	1850
Appliance depth in mm	630
Weight in kg	71.0
Climate class	SN-T
Refrigerator compartment in l	386
4* freezer compartment in l	0
Total usable capacity in l	385
Storage time in case of fault in h	0
Noise class (A–D)	B
Sound power in dB(A) re 1 pW	33
Current consumption (mA)	1200
Voltage in V	220-240
Fuse rating in A	13
Number of phases	1
Frequency in Hz	50

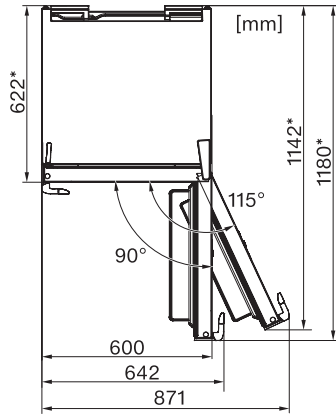
K 28202 D ws
Freestanding refrigerator
with Dynamic cooling and lever handle for convenient side-by-side combination.



EAN: 4002515977491 / Material number: 10851020 / Old Material Number: 36282020GB

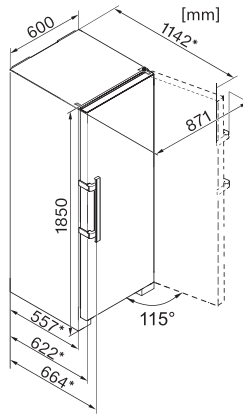
Length of supply lead in m	2.0
Replacing lamps	Customer Service
Accessories supplied	
Egg tray	•

K 28202 D ws
 Freestanding refrigerator
 with Dynamic cooling and lever handle for convenient side-by-side combination.



K28202D ws, K28202D edt/cs, K28302D ws, K28302D edt/cs, K28242D ws, K28242D edt/cs, top view, (Sketch) (*footnote)

*To ensure that energy consumption as stated is achieved, machines should be used together with the enclosed spacer brackets. This increases the total depth of the unit by approx. 3.5 cm. , Machines are still fully functional when operated without these brackets but have a slightly higher energy consumption.,



K28202D ws, K28202D edt/cs, K28302D ws, K28302D edt/cs, K28242D ws, K28242D edt/cs (sketch) (*footnote)

*To ensure that energy consumption as stated is achieved, machines should be used together with the enclosed spacer brackets. This increases the total depth of the unit by approx. 3.5 cm. , Machines are still fully functional when operated without these brackets but have a slightly higher energy consumption.,