

G 5210 SC Front Active Plus
Freestanding dishwashers
for optimum drying results thanks to AutoOpen drying.



- Perfect results in less than one hour – QuickPowerWash
- Innovative design and maximum convenience – 3D MultiFlex Tray
- Fresh water dishwashers – from 6.0 l litres in the Automatic programme
- Save up to 50 % more electricity – hot water connection
- Versatile and secure – comfort basket design



EAN: 4002516316343 / Material number: 11495910 / Old Material Number: 21521018GB

Construction type	
Freestanding dishwasher	•
60 cm dishwasher	•
Design	
Control panel colour	CleanSteel front
Control panel version	Straight fascia
Control type	Programme selector button
Display	3-digit 7-segment display
Display colour	Yellow
Convenience	
Door closing aid	ComfortClose
Time left display	•
Delay start up to 24 hours	•
In-operation indicator light	acoustic
Efficiency and sustainability	
Energy efficiency class (A–G)	C
Water consumption in the Automatic programme in l from	6.0
Water consumption of the ECO programme in litres per programme cycle	8.9
Electricity consumption in the ECO programme in kWh	0.74
Energy consumption of the ECO programme in kWh after 100 programme cycles	74
Consumption value in kWh in the ECO programme with hot water connection	0.52
Duration of ECO programme in minutes	238
Noise emission class	C
Noise emissions in dB(A)	45
EcoPower Technology	•
Proven hygiene	•
Hot water connection	•
Half load	•
Quality of results	
Fresh water dishwasher	•
AutoOpen drying	•
SensorDry	•
Recirculation Turbothermic drying	•
BrilliantGlassCare	•
Wash programmes	
QuickPowerWash	•
ECO	•
Automatic	•
Intensive 75 °C	•
Gentle	•
Dishwashing options	
Express	•
Extra Clean	•
Extra dry	•
Basket design	
Cutlery loading	3D MultiFlex tray
FlexCare cup rack	1
Basket design	Comfort

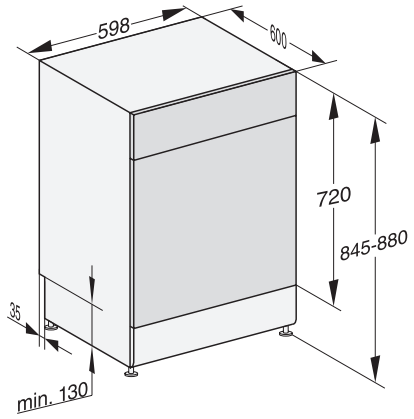
G 5210 SC Front Active Plus
 Freestanding dishwashers
 for optimum drying results thanks to AutoOpen drying.



EAN: 4002516316343 / Material number: 11495910 / Old Material Number: 21521018GB

Number of place settings	14
Safety	
Waterproof system	•
Safety lock	•
Technical data	
Niche width minimal in mm	600
Niche width max in mm	600
Niche height minimal in mm	845
Niche height maximal in mm	880
Niche depth in mm	600
Appliance width in mm	598
Appliance height in mm	845
Appliance depth in mm	600
Depth with door open in cm	119.5
Net weight in kg	54.5
Total rated load in kW	2.00
Voltage in V	230
Fuse rating in A	10
Number of phases	1
Electrical frequency standard	50
Length of water inlet hose in m	1.50
Length of water drain hose in m	1.50
Length of supply lead in m	1.80

G 5210 SC Front Active Plus
Freestanding dishwashers
for optimum drying results thanks to AutoOpen drying.



G7000, free standing dishwasher, 60cm (installation drawing)