

KM 7999 FL  
 Induction hob with onset controls  
 with TempControl for perfect frying results

EAN: 4002516235521 / Material number: 11144120 / Old Material Number: 26799970GB

<b>Heating type</b>	
Heating type	Induction
<b>Construction type</b>	
Independent of cooker	•
<b>Design</b>	
Elegant glass ceramic surface	•
Flush	•
Ceramic surface colour	Graphite black
Print design	Silent Move
<b>Cooking zone details</b>	
Number of cooking areas	3
Maximum number of pans	5
<b>1st cooking zone/cooking area</b>	
Position	Left
Type	TempControl cooking zone
Max. Booster power rating in W	3600
Max. rating in W	2800
<b>2nd cooking zone/cooking area</b>	
Position	Centred
Type	TempControl cooking zone
Size in mm	370 x 290
Max. Booster power rating in W	3600
Max. rating in W	2800
<b>3rd cooking zone/cooking area</b>	
Position	right
Type	TempControl cooking zone
Size in mm	230 x 380
Max. Booster power rating in W	3600
Max. rating in W	2800
<b>User convenience</b>	
Miele@home	•
Operation via sensor controls	Touch display
Automatic function Con@ctivity	•
Pan and pan size recognition	•
Operation via touch display	•
Permanent pan recognition	•
Stop & Go function	•
Recall function	•
TempControl	•
Minute minder	•
PowerFlex Plus	•
Safety switch-off	•
Individual setting options (e.g. buzzers)	•
Assistance programmes	•
<b>Cleaning convenience</b>	
Easy to clean ceramic glass	•
Wipe protection	•
<b>Safety</b>	
Safety switch-off	•
Integrated cooling fan	•

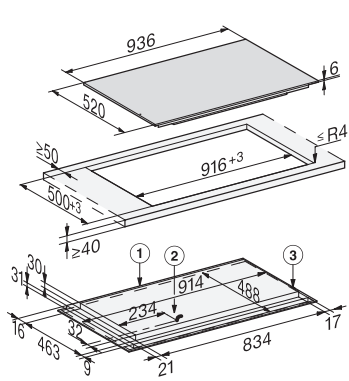
- Intelligent controls thanks to the touch display
- Flexible cooking areas for up to five pans
- With 8 TempControl sensors
- A width of 936 mm for surface-mounted or flush-fit installation
- Communication with the hood – automatic function Con@ctivity

KM 7999 FL  
Induction hob with onset controls  
with TempControl for perfect frying results

EAN: 4002516235521 / Material number: 11144120 / Old Material Number: 26799970GB

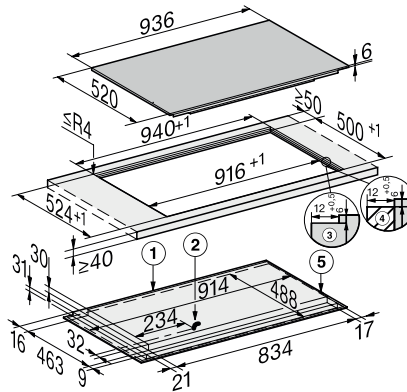
Overheating protection	•
Residual heat indicator	•
<b>Technical data</b>	
Dimensions (W x H x D) in mm	67 x 936 x 520
Dimensions in mm (width)	936
Dimensions in mm (height)	67
Dimensions in mm (depth)	520
Cutout dimensions in mm (width) with surface-mounted installation	916
Casing height incl. connection box in mm	67
Cutout dimensions in mm (depth) with surface-mounted installation	500
Internal cutout dimensions in mm (width) with flush installation	916
Internal cutout dimensions in mm (depth) with flush installation	500
Weight in kg	22
External cutout dimensions in mm (width) with flush installation	940
External cutout dimensions in mm (depth) with flush installation	524
Total rated load in kW	10.35
Length of supply lead in m	1.3
Voltage in V	230
Frequency in Hz	50-60
<b>Accessories supplied</b>	
Number of mains cables with plug	Yes
WiFi stick XKS 3170 W	•

KM 7999 FL  
 Induction hob with onset controls  
 with TempControl for perfect frying results



KM7999FL, KM7999-2FL (installation drawing) – onset

1) Front, 2) Mains connection box with mains connection cable, L = 1280 mm, are enclosed loosely, 3) WLAN stick connection point



KM7999FL, KM7999-2FL (installation drawing) – flush-fit

1) Front, 2) Mains connection box with mains connection cable, L = 1280 mm, are enclosed loosely, 3) Stepped cut-out natural stone worktop, 4) Wood support 12 mm (not supplied), 5) WLAN stick connection point