

## KM 7210 FR

Induction hob with onset controls

with cooking/extended zone at an attractive entry-level price



- Easy operation – EasySelect
- 4 round cooking zones and one cooking/extended zone
- A width of 764 mm with stainless steel frame for surface installation
- Shortest heating-up times – TwinBooster

EAN: 4002516149224 / Material number: 11144000 / Old Material Number: 26721010GB

<b>Heating type</b>	
Heating type	Induction
<b>Construction type</b>	
Independent of cooker	•
<b>Design</b>	
Elegant glass ceramic surface	•
Ceramic surface colour	Black
Stainless steel frame	•
Surface-mounted installation	•
<b>Cooking zone details</b>	
Number of cooking zones	4
Number of cooking areas	0
Maximum number of pans	4
<b>1st cooking zone/cooking area</b>	
Position	front left
Type	Dual-circuit ring
Max. Booster power rating in W	3000
Max. rating in W	2300
<b>2nd cooking zone/cooking area</b>	
Position	rear left
Type	Dual-circuit ring
Size in mm	100-160 mm
Max. Booster power rating in W	1700
Max. rating in W	1400
Max. TwinBooster power rating in W	2200
<b>3rd cooking zone/cooking area</b>	
Position	rear right
Type	Casserole area
Size in mm	190/290
Max. Booster power rating in W	3000
Max. rating in W	2100
Max. TwinBooster power rating in W	3650
<b>4th cooking zone/cooking area</b>	
Position	front right
Type	Dual-circuit ring
Size in mm	Ø 140–190
Max. Booster power rating in W	2500
Max. rating in W	1850
Max. TwinBooster power rating in W	3000
<b>User convenience</b>	
Operation via sensor controls	EasySelect
Pan and pan size recognition	•
Display colour	Yellow
Auto heat-up	•
Permanent pan recognition	•
Keeping warm	•
Stop & Go function	•
Recall function	•
Minute minder	•
Safety switch-off	•

## KM 7210 FR

Induction hob with onset controls

with cooking/extended zone at an attractive entry-level price



EAN: 4002516149224 / Material number: 11144000 / Old Material Number: 26721010GB

Individual setting options (e.g. buzzers) •

### Cleaning convenience

Easy to clean ceramic glass •

### Safety

Safety switch-off •

Lock function •

System lock •

Integrated cooling fan •

Overheating protection •

Residual heat indicator •

### Technical data

Dimensions in mm (width) 764

Dimensions in mm (height) 51

Dimensions in mm (depth) 504

Cutout dimensions in mm (width) with surface-mounted installation 750

Casing height incl. connection box in mm 48

Cutout dimensions in mm (depth) with surface-mounted installation 490

Weight in kg 11

Total rated load in kW 7.30

Length of supply lead in m 1.4

Voltage in V 230

Frequency in Hz 50-60

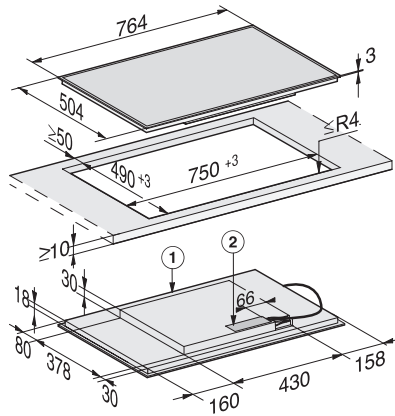
### Accessories supplied

Number of mains cables with plug Yes

## KM 7210 FR

Induction hob with onset controls

with cooking/extended zone at an attractive entry-level price



KM 7210 FR, KM 7211 FR (Installation drawing)

1) Front, 2) Mains connection box. Mains connection cable  
L = 1440 mm, supplied loose