

DGM 7640

Steam oven with microwave

for healthy cooking and rapid heating-up with networking and menu cooking.



- Touch display with proximity sensor – M Touch S + MotionReact
- Perfect results – DualSteam technology
- Consistent and quick microwave results – Quick & Gentle
- Perfect results guaranteed every time – Automatic programmes
- Shorter cooking durations by combining steam with microwave power

EAN: 4002516166498 / Material number: 11094490 / Old Material Number: 23764044GB

<b>Construction type and design</b>	
Steam oven with microwave	•
PureLine	•
Appliance Colour	Stainless steel/Clean Steel
<b>Convenience features</b>	
Quick & Gentle	•
External steam generation	•
Menu cooking without transfer of taste	•
Automatic programmes with programmable settings for cooking results	•
Keeping warm	•
<b>Operating modes</b>	
Defrosting	•
Automatic programmes	•
Country-specific automatic programmes	•
Steam cooking	•
Rapid cooking	•
Reheat	•
Microwave	•
Eco steam cooking	•
Special applications	•
<b>User convenience</b>	
Networking with Miele@home	•
Display	M Touch S
MotionReact: light comes on when movement is detected	•
MotionReact: display comes on when movement is detected	•
MotionReact: audible signal is acknowledged when movement is detected	•
MotionReact: detection of cabinet fronts	•
SoftOpen	•
MultiLingua	•
MyMiele	•
Help function	•
Popcorn function	•
Quantity-independent cooking	•
Steam cooking on up to 3 levels at the same time	•
Automatic menu cooking	•
Steam reduction before end of programme	•
Timer functions	•
Time of day display	•
Date display	•
Minute minder	•
Programmable start of cooking duration	•
Programmable end of cooking duration	•
Programmable cooking duration	•
Actual temperature display	•
Target temperature display	•
Buzzer when desired temperature is reached	•
Recommended temperature	•
Quick microwave	•

DGM 7640

Steam oven with microwave

for healthy cooking and rapid heating-up with networking and menu cooking.



EAN: 4002516166498 / Material number: 11094490 / Old Material Number: 23764044GB

User programmes	•
Individual settings	•
MotionReact proximity/movement sensor DG	•
<b>Efficiency and sustainability</b>	
Power rating in off mode in W	0.5
Power rating in standby mode in W	1.0
Power rating in networked standby in W	2.0
Time until automatic switch to standby in min	20
Time until automatic switch to networked standby in min	20
Time until automatic switch to off mode in min	20
<b>Cleaning convenience</b>	
Stainless steel/CleanSteel finish	•
Stainless-steel oven compartment with linen structure	•
External steam generator	•
Floor heater for condensate reduction	•
Maintenance programmes	•
Soak programme	•
Quick-release side racks	•
Removable stainless-steel side racks	•
Descaling	•
CleanGlass door	•
<b>Steam technology and Water supply</b>	
DualSteam	•
Removal of fresh water container with Push2release	•
Fresh water container volume in l	1.5
<b>Safety</b>	
Appliance cooling system and touch-cool front	•
Safety switch-off	•
System lock	•
Vapour cooling system	•
Sensor lock	•
<b>Technical data</b>	
L oven compartment	•
Oven compartment volume in l	40
No. of shelf levels	4
Dimensions (W x H x D) in mm	595 x 455 x 569
Door hinge	Bottom
Oven light	2 LED spots
Electronic steam oven temperature regulation min. in °C	40
Electronic steam oven temperature regulation max. in °C	100
Electronically controlled microwave power	•
Microwave power levels in W	
Niche width min. in mm	560
Niche width max. in mm	568
Niche height min. in mm	450
Niche height max. in mm	452
Niche depth in mm	550
Appliance width in mm	595
Appliance height in mm	455
Appliance depth in mm	569
Dimensions (W x H x D) in mm	595 x 455 x 569

DGM 7640

Steam oven with microwave

for healthy cooking and rapid heating-up with networking and menu cooking.



EAN: 4002516166498 / Material number: 11094490 / Old Material Number: 23764044GB

Weight in kg	30.6
Total rated load in kW	3.30
Voltage in V	230
Frequency in Hz	50
Number of phases	1
Fuse rating in A	16
Mains cable with plug	•
Length of supply lead in m	2
Replacing lamps	Customer Service

#### Accessories supplied

Removable side runners (pair)	1
No. of perforated stainless-steel cooking container	2
Solid stainless steel cooking containers, 40 mm high	1
Solid stainless steel cooking containers, 80 mm high	1
Wire rack	1
Glass tray	1
Descaling tablets	2

#### Available display languages

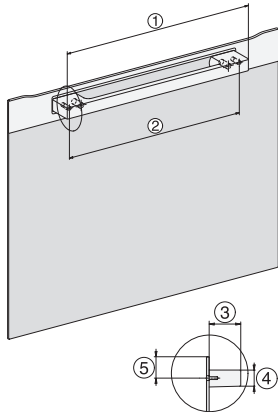
Available display languages through MultiLingua

bahasa malaysia, dansk, deutsch, english, español, français, hrvatski, italiano, magyar, nederlands, norsk, polski, portugês, русский, română, slovenčina, slovenščina, srpski, suomi, svenska, türkçe, українська, čeština, ελληνικά,

## DGM 7640

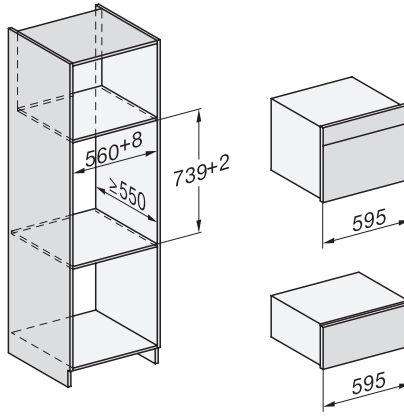
Steam oven with microwave

for healthy cooking and rapid heating-up with networking and menu cooking.

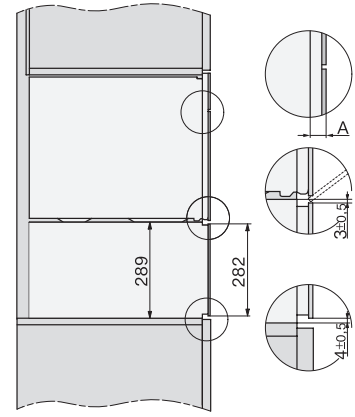


DG2840, DG7x40, DGC7x4x, DG7x6x, DGC7x6x, DGD7635, DGM7x4x, DO7, H28B/BP, H7x4xB/BM/BP, H7x6xB/BP, installation drawing

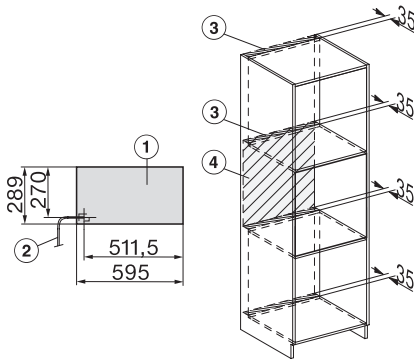
1) 400 mm, 2) 360 mm, 3) 47 mm, 4) 24 mm, 5) 32.5 mm



ESW7x20, DGC7x4xHCPro, DGC7x4xHCXPro installation drawings

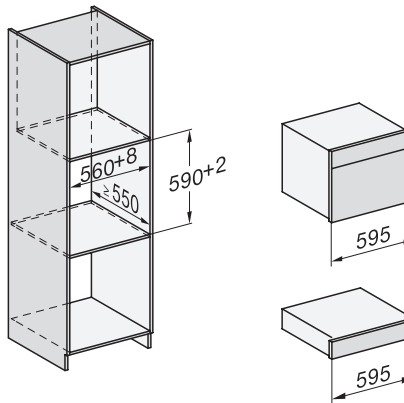


ESW7x20, DG7xxx, DGM7xxx installation drawings

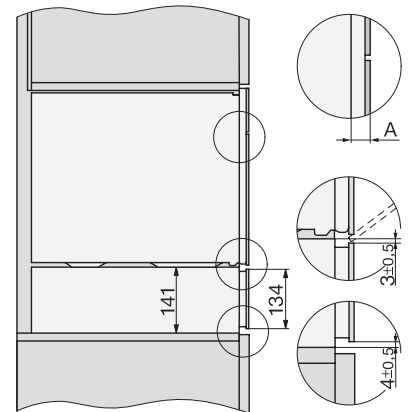


ESW7x20, DGM7x4x installation drawings

1) Front view, 2) Mains connection cable, L=2.000 mm, 3) Ventilation cut min. 180 cm<sup>2</sup>, 4) No connection in this area

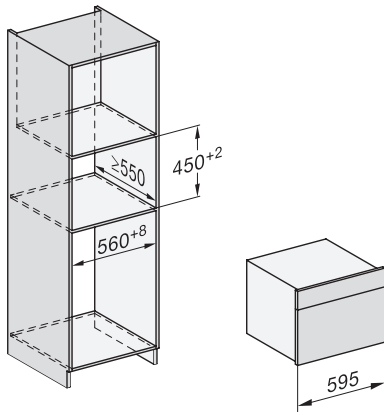


ESW7x10, DGC7x4xHCPro, DGC7x4xHCXPro, installation drawings

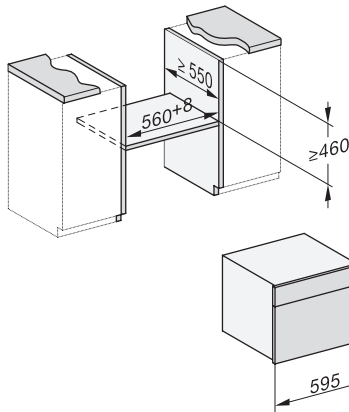


ESW7x10, EVS7010, DG7x4x, DGM7x4x installation drawings

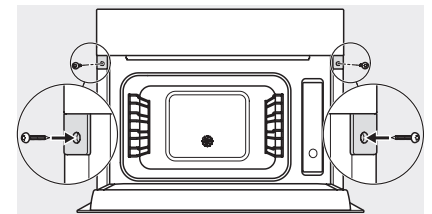
A) 22 mm glass, 23,3 mm stainless steel



DG7xxx, DGM7xxx, installation drawings



DG7x4x, DGM7x4x, DGC7x4x, DGC7x4xX, DGC7x4xHCPro, DGC7x4xHCXPro installation drawings



DG7xxx, DGM7xxx, installation drawings

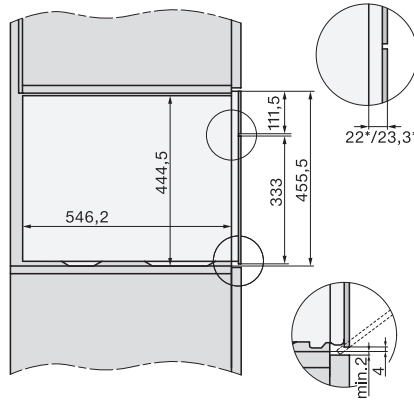
## DGM 7640

Steam oven with microwave

for healthy cooking and rapid heating-up with networking and menu cooking.

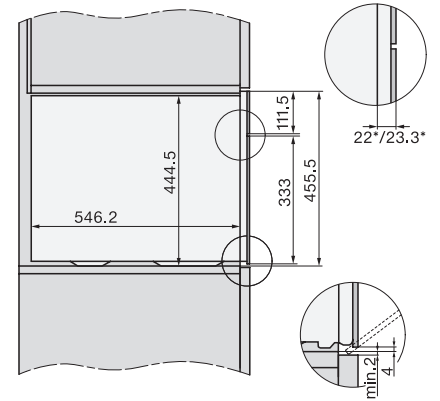


DG7x4x, DGM7x4x, installation drawings



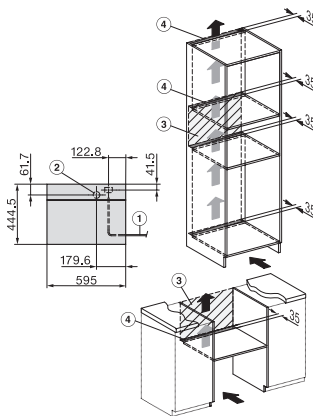
DG7x4x, DGM7x4x, DG7x4x-55, DGM7x4x-55, installation drawings

22 mm glass, 23,3 mm metal



DG2x40, DG7x40, DGM7x4x – installation drawing – GB, AU

22 mm glass, 23,3 mm stainless steel



DGM7340, DGM7440, DGM7640, DGM7840 - installation drawing – GB, AU

1) Mains connection cable, L=2000 mm, 2) Water supply hose, L=2000 mm, 3) ventilation cut-out min. 180 cm<sup>2</sup>, 4) no connection in this area