

DG 2740

Built-in steam oven

for healthy cooking with automatic programmes.



- 7-segment display with sensor controls – EasySensor
- Perfect results – DualSteam technology
- Easy preparation of a complete meal – menu cooking
- Perfect results guaranteed every time – Automatic programmes
- Plenty of room – 40 l stainless steel oven compartment

EAN: 4002516156628 / Material number: 11094390 / Old Material Number: 23274040GB

<b>Construction type and design</b>	
Built-in steam oven	•
ContourLine	•
Appliance Colour	Stainless steel/Clean Steel
<b>Convenience features</b>	
External steam generation	•
Menu cooking without transfer of taste	•
Automatic programmes with programmable settings for cooking results	•
<b>Operating modes</b>	
Defrosting	•
Automatic programmes	•
Steam cooking	•
Reheat	•
Eco steam cooking	•
<b>User convenience</b>	
Display	EasySensor
SoftOpen	•
SoftClose	•
Quantity-independent cooking	•
Steam cooking on up to 3 levels at the same time	•
Menu cooking with steam	•
Steam reduction before end of programme	•
Timer functions	•
Programmable cooking duration	•
Actual temperature display	•
Individual settings	•
<b>Cleaning convenience</b>	
Stainless steel/CleanSteel finish	•
Stainless-steel oven compartment with linen structure	•
External steam generator	•
Floor heater for condensate reduction	•
Quick-release side racks	•
Removable stainless-steel side racks	•
Descaling	•
CleanGlass door	•
<b>Steam technology and Water supply</b>	
DualSteam	•
Removal of fresh water container with Push2release	•
Fresh water container volume in l	1.5
<b>Safety</b>	
Appliance cooling system and touch-cool front	•
Safety switch-off	•
Vapour cooling system	•
<b>Technical data</b>	
L oven compartment	•
Oven compartment volume in l	40
No. of shelf levels	4
Dimensions (W x H x D) in mm	595 x 455 x 569
Door hinge	Bottom

DG 2740

Built-in steam oven

for healthy cooking with automatic programmes.



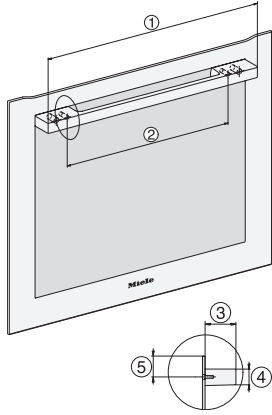
EAN: 4002516156628 / Material number: 11094390 / Old Material Number: 23274040GB

Electronic steam oven temperature regulation min. in °C	40
Electronic steam oven temperature regulation max. in °C	100
Niche width min. in mm	560
Niche width max. in mm	568
Niche height min. in mm	450
Niche height max. in mm	452
Niche depth in mm	550
Appliance width in mm	595
Appliance height in mm	455
Appliance depth in mm	569
Dimensions (W x H x D) in mm	595 x 455 x 569
Weight in kg	26.8
Total rated load in kW	3.60
Voltage in V	230
Frequency in Hz	50-60
Number of phases	1
Fuse rating in A	16
Mains cable with plug	•
Length of supply lead in m	2
<b>Accessories supplied</b>	
Removable side runners (pair)	1
No. of perforated stainless-steel cooking container	2
No. of solid stainless-steel cooking containers	1
Wire rack	1
Condensate tray	1
Descaling tablets	2

## DG 2740

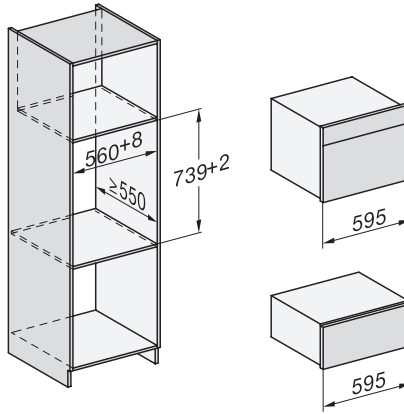
Built-in steam oven

for healthy cooking with automatic programmes.

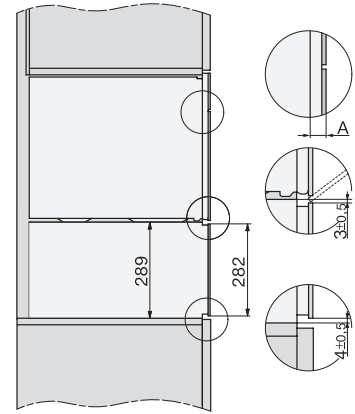


DG2740, DG7140, DGM7340, H2760B/BP, H7140BM, H7x64B/BP, H7x60B/BP installation drawings

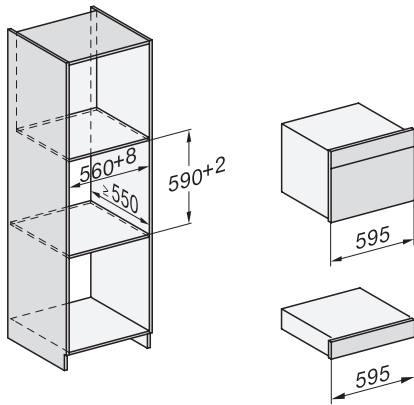
1) 474 mm, 2) 360 mm, 3) 43 mm, 4) 22,5 mm, 5) 53.75 mm



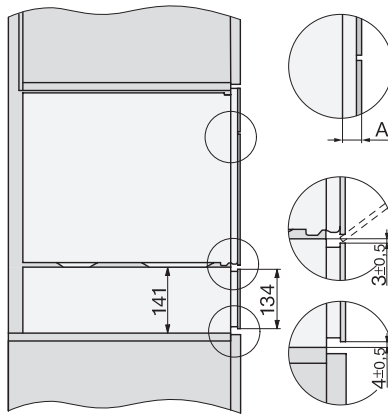
ESW7x20, DGC7x4xHCPro, DGC7x4xHCXPro installation drawings



ESW7x20, DG7xxx, DGM7xxx installation drawings

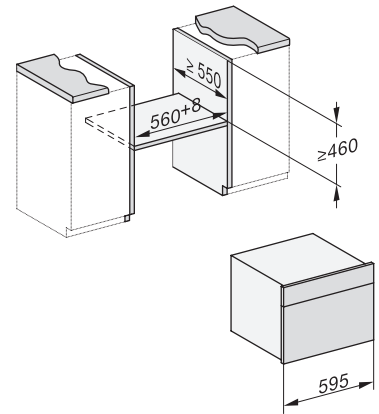


ESW7x10, DGC7x4xHCPro, DGC7x4xHCXPro, installation drawings

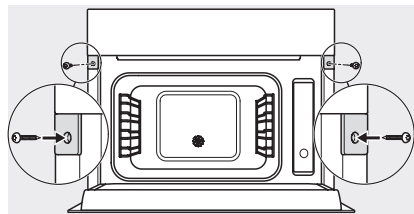


ESW7x10, EVS7010, DG7x4x, DGM7x4x installation drawings

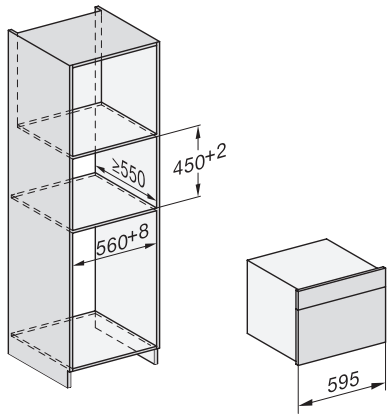
A) 22 mm glass, 23,3 mm stainless steel



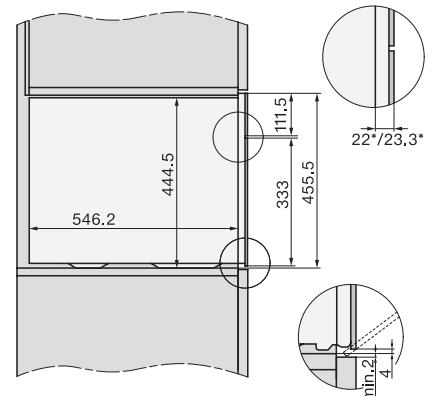
DG7x4x, DGM7x4x, DGC7x4x, DGC7x4xX, DGC7x4xHCPro, DGC7x4xHCXPro installation drawings



DG7xxx, DGM7xxx, installation drawings



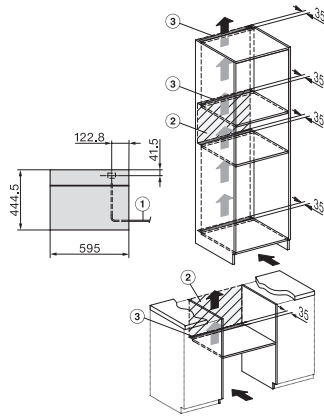
DG7x4x, DGM7x4x, installation drawings



DG2x40, DG7x40, DGM7x4x – installation drawing – GB, AU

22 mm glass, 23,3 mm stainless steel

DG 2740  
Built-in steam oven  
for healthy cooking with automatic programmes.



DG2740, DG2840, DG7140, DG7240, DG7440 -  
installation drawing – GB, AU

1) Mains connection cable, L=2000 mm, 2) No connection  
in this area, 3) Ventilation cutout min. 180 cm<sup>2</sup>