

H 7860 BPX

Handleless oven

seamless design with food probe and BrilliantLight.



- Large touch display with movement sensor – M Touch + MotionReact
- An eye on what's cooking anywhere, any time – camera in the oven
- Minimal cleaning effort – Pyrolytic cleaning equipment & PyroFit
- Especially light dough and nicely browned crusts – Moisture plus
- Ensures your food won't overcook – TasteControl

A+

EAN: 4002516158264 / Material number: 11093810 / Old Material Number: 22786055GB

Construction type and design	
Built-in oven	•
ArtLine	•
Handleless	•
Appliance Colour	Brilliant white
Convenience features	
TasteControl	•
Rapid heat-up	•
Pre-heating	•
Food probe	Without cable
Keeping warm	•
Crisp function	•
Operating modes	
Defrosting	•
Automatic programmes	•
Country-specific automatic programmes	•
Auto roast	•
Eco fan heat	•
Top heat	•
Grill operating modes	•
Grill	•
Economy grill	•
Fan plus	•
Intensive bake	•
Moisture plus	•
Moisture plus with Fan plus	•
Moisture plus with Conventional heat	•
Moisture plus with Intensive bake	•
Moisture plus with Conventional heat	•
Low temperature cooking	•
Conventional heat	•
Bottom heat	•
Fan grill	•
Special applications	•
User convenience	
Networking with Miele@home	•
Display	M Touch
MotionReact: light comes on when movement is detected	•
MotionReact: display comes on when movement is detected	•
MotionReact: audible signal is acknowledged when movement is detected	•
MotionReact: detection of cabinet fronts	•
FoodView	•
SoftOpen	•
Touch2Open	•
MultiLingua	•
MyMiele	•
Help function	•
Individual settings	•

H 7860 BPX

Handleless oven

seamless design with food probe and BrilliantLight.



EAN: 4002516158264 / Material number: 11093810 / Old Material Number: 22786055GB

Programmable timed steam injection	•
Polyphonic buzzers	•
Timer functions	•
Time of day display	•
Clock synchronisation	•
Date display	•
Minute minder	•
Programmable start of cooking duration	•
Programmable end of cooking duration	•
Programmable cooking duration	•
Actual temperature display	•
Target temperature display	•
Buzzer when desired temperature is reached	•
Recommended temperature	•
User programmes	•
Efficiency and sustainability	
Energy efficiency class (A+++ – D)	A+
Residual heat utilisation	•
Power rating in off mode in W	0.5
Power rating in standby mode in W	1.0
Power rating in networked standby in W	2.0
Time until automatic switch to standby in min	20
Time until automatic switch to networked standby in min	20
Time until automatic switch to off mode in min	20
Cleaning convenience	
Pyrolytic self-cleaning	•
Catalyser	•
Hinged grill element	•
CleanGlass door	•
Safety	
Appliance cooling system and touch-cool front	•
Safety switch-off	•
System lock	•
Door lock during pyrolytic cleaning	•
Sensor lock	•
Technical data	
Oven compartment volume in l	76
No. of shelf levels	5
Number of shelf levels oven compartment 1	5
Number of shelf levels oven compartment 2	5
Numbered shelf levels	•
Oven light	BrilliantLight
Electronic temperature regulation min. in °C	30
Electronic temperature regulation max. in °C	300
Niche width min. in mm	560
Niche width max. in mm	568
Niche height min. in mm	590
Niche height max. in mm	595
Niche depth in mm	550
Appliance width in mm	595
Appliance height in mm	596

H 7860 BPX

Handleless oven

seamless design with food probe and BrilliantLight.



EAN: 4002516158264 / Material number: 11093810 / Old Material Number: 22786055GB

Electronic steam oven temperature regulation min. in °C	30–300
Appliance depth in mm	568
Weight in kg	47.0
Total rated load in kW	3.70
Voltage in V	220-240
Frequency in Hz	50
Number of phases	1
Fuse rating in A	16
Length of supply lead in m	1.50
Replacing lamps	Customer Service
Accessories supplied	
Baking tray with PerfectClean	1
Universal tray with PerfectClean	1
Baking and roasting rack PyroFit	1
PyroFit FlexiClip runners	1
Removable PyroFit side runners (pair)	1
Anti-splash insert with PerfectClean	1
Descaling tablets	2

Available display languages

Available display languages through MultiLingua

bahasa malaysia, dansk, deutsch, english, español, français, hrvatski, italiano, magyar, nederlands, norsk, polski, portugês, русский, română, slovenčina, slovensčina, srpski, suomi, svenska, türkçe, українська, čeština, ελληνικά,

H 7860 BPX

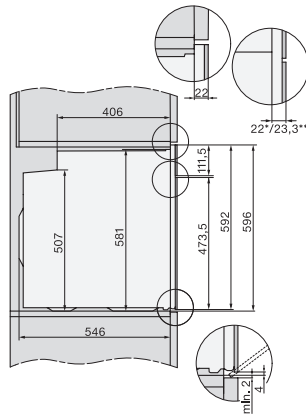
Handleless oven

seamless design with food probe and BrilliantLight.



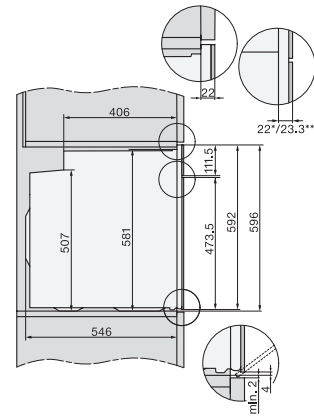
H226x-1B/BP/E/EP//IP, H2760B/BP, H28x0B/BP, H7x6xB/BP/BPX installation drawings

1) Netzanschlussleitung, L=1500 mm, 2) In diesem Bereich kein Anschluss, 3) Lüftungsausschnitt min. 150 cm²



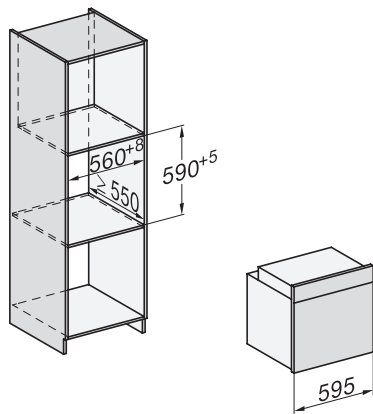
H2760B/BP, H28x0B/BP, H7x6xB/BP/BPX, DGC7151, installation drawings

22 mm – glass, 23,3 mm – metal

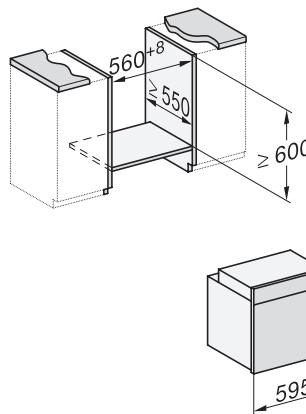


H2760B/BP, H28x0B/BP, H7x6xB/BP/BPX, installation drawings

22 mm – glass, 23,3 mm – metal



H226x-1B/BP/E/EP//IP, H2760B/BP, H28x0B/BP, H7x6xB/BP/BPX, installation drawings

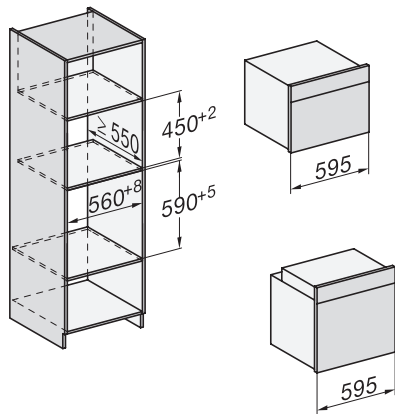


H226x-1B/BP/E/EP//IP, H2x6xB/BP, H7x6xB/BP/BPX, installation drawings

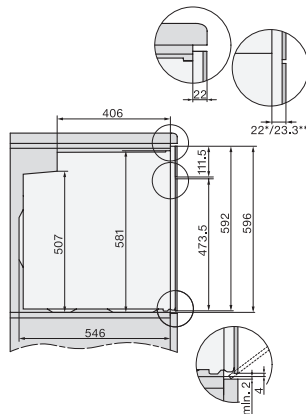
If the oven is to be installed under a hob, follow the instructions for installing the hob and the height of the hob.

H2x6x-1B/BP/E/EP//IP, H2850BP, H7x6xB/BP/BPX, H2x6xB, installation drawings, GB, AUS

1) Mains connection cable, L=2000 mm, 2) No connection in this area, 3) Lüftungsausschnitt min. 150 cm²

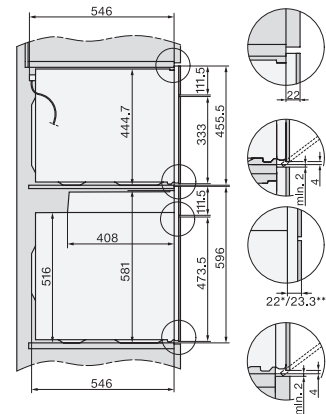


H226x-1B/BP/E/EP//IP, H2760B/BP, H28x0B/BP, H7x40BM/BMX, H7x6xB/BP/BPX, installation drawings



H2760B/BP, H28x0B/BP, H7x6xB/BP/BPX, installation drawings

22 mm – glass, 23,3 mm – metal



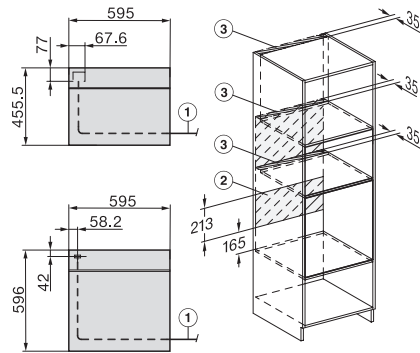
H2xxx-1 B/BP/E//IP, H7xxx B/BP/BM/BMX, installation drawings

22 mm – glass, 23,3 mm – metal

H 7860 BPX

Handleless oven

seamless design with food probe and BrilliantLight.



H2xxx-1 B/BP/E/I/IP, H7xxx B/BP/BM/BMX, installation drawings

22 mm – glass, 23,3 mm – metal